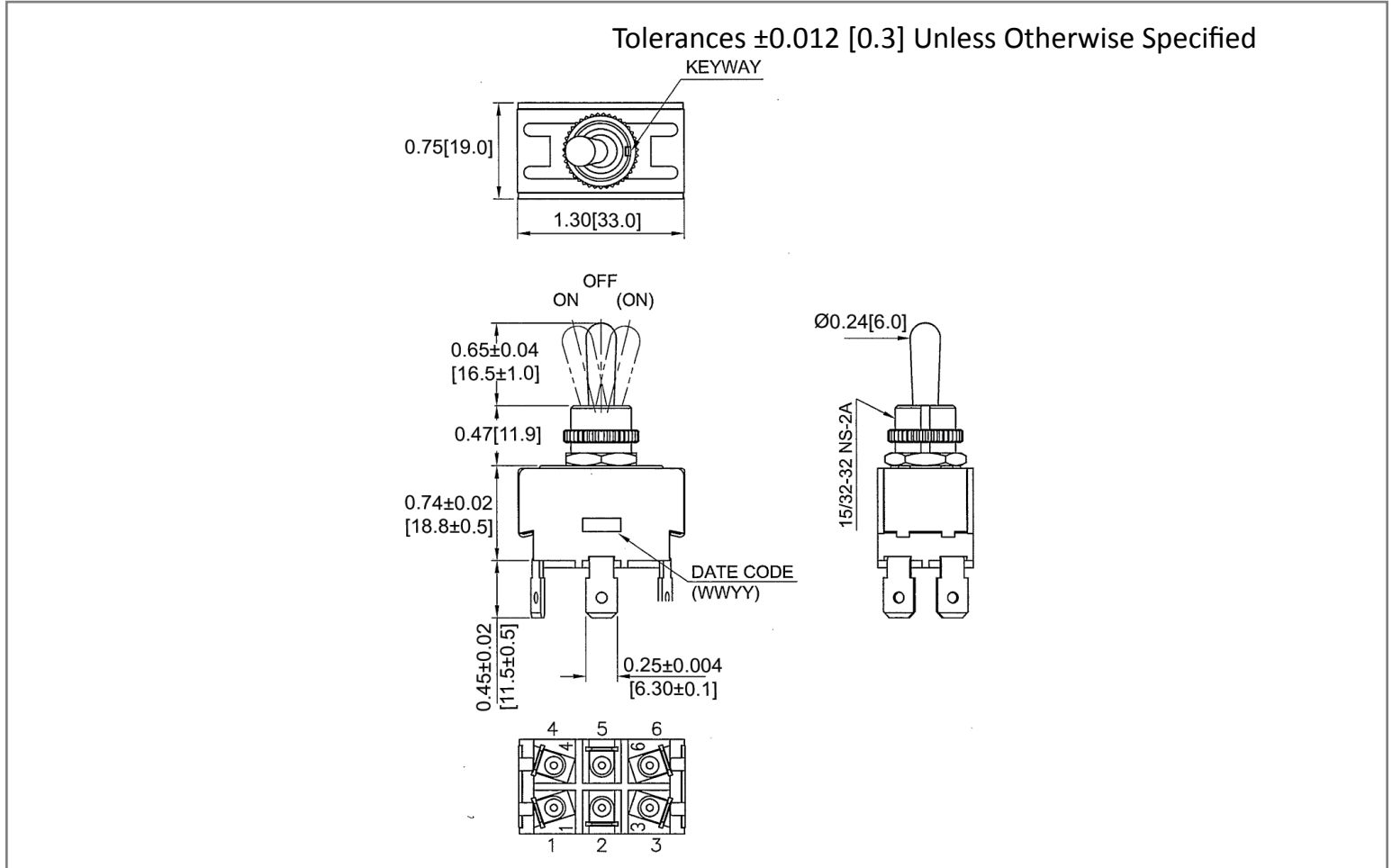
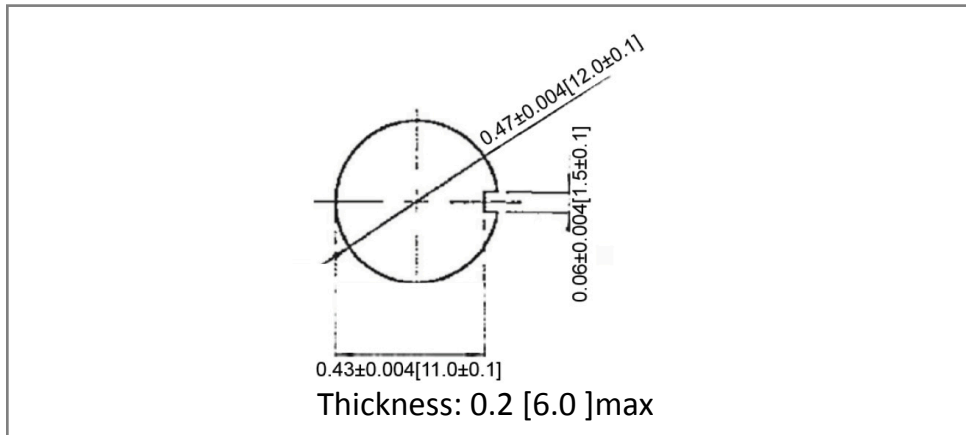


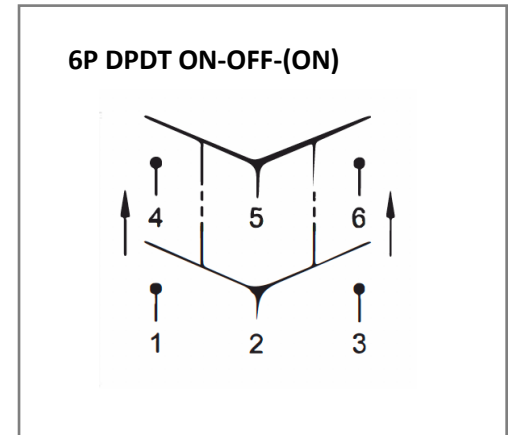
## Mechanical Dimensions: Inches [mm]



## Mounting Hole



## Circuit Diagram



## Electrical Specifications

Rating	21A 14V DC
Contact Resistance	50m ohm Max
Insulation Resistance	DC 500V 100M ohm Min.
Dielectric Strength	AC 1500V 1 minute
Operation Temperature	800gf±300gf

## Material Specifications

1 HEX NUT ASSY
1 KNURL NUT

Rev	Date of issue	Revision Notes	Designed	Approved
A	05-13-2019	Initial Drawing	RC	OF