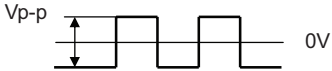


MODEL: CPT-4011-85PM | **DESCRIPTION:** PIEZO BUZZER TRANSDUCER**FEATURES**

- 12 V rated
- externally driven
- panel mount

**SPECIFICATIONS**

parameter	conditions/description	min	typ	max	units
rated voltage	V _{p-p} 		12		V _{p-p}
operating voltage				60	V _{p-p}
current consumption	at rated voltage, 3,260 Hz, ½ duty square wave			30	mA
rated frequency			3,260		Hz
sound pressure level	at 10 cm, 12 V _{p-p} , 3,260 Hz, square wave	98			dB
	at 300 cm, 50 V _{p-p} , 3,260 Hz, square wave	85			dB
electrostatic capacitance	at 1000 Hz/1 V	21,000	30,000	39,000	pF
dimensions	40.0 x 46.5 x 11.5				mm
weight				14.3	g
material	PBT				
terminal	wire leads				
operating temperature		-30		80	°C
storage temperature		-40		85	°C
washable	no				
RoHS	yes				

Notes: 1. All specifications measured at 5-35°C, humidity at 45-85%, under 86-106 kPa pressure, unless otherwise noted.

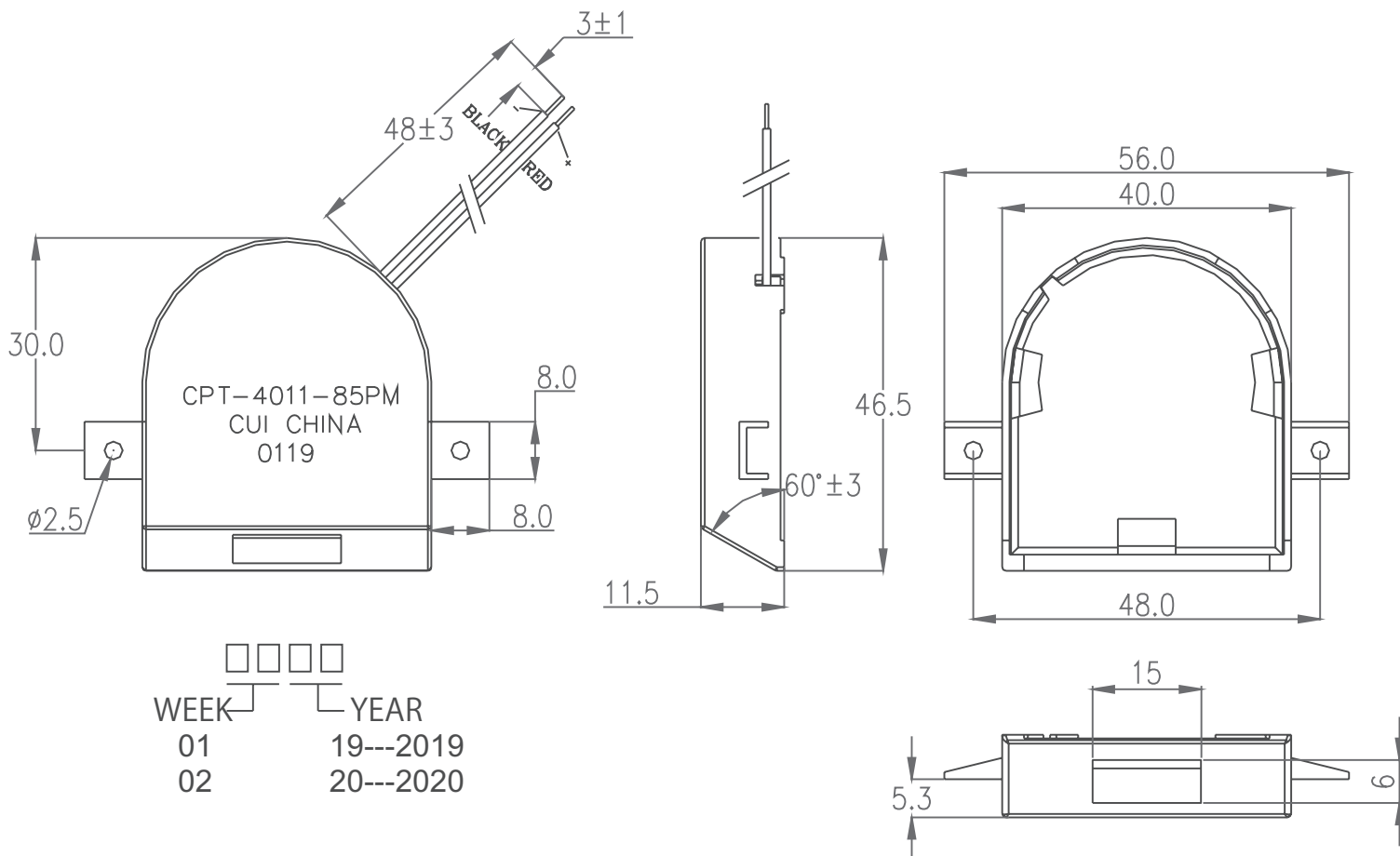
SOLDERABILITY

parameter	conditions/description	min	typ	max	units
hand soldering	for maximum 3 seconds			380	°C

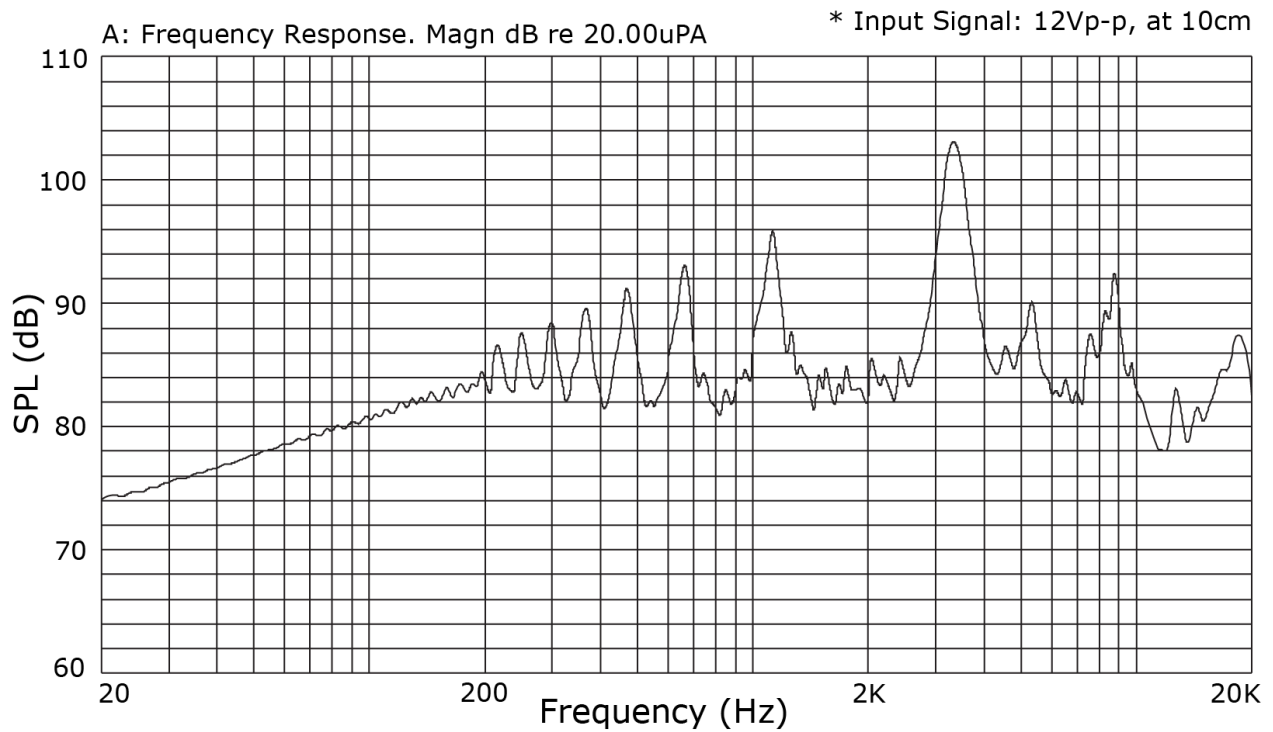
MECHANICAL DRAWING

units: mm
tolerance: ± 0.5 mm

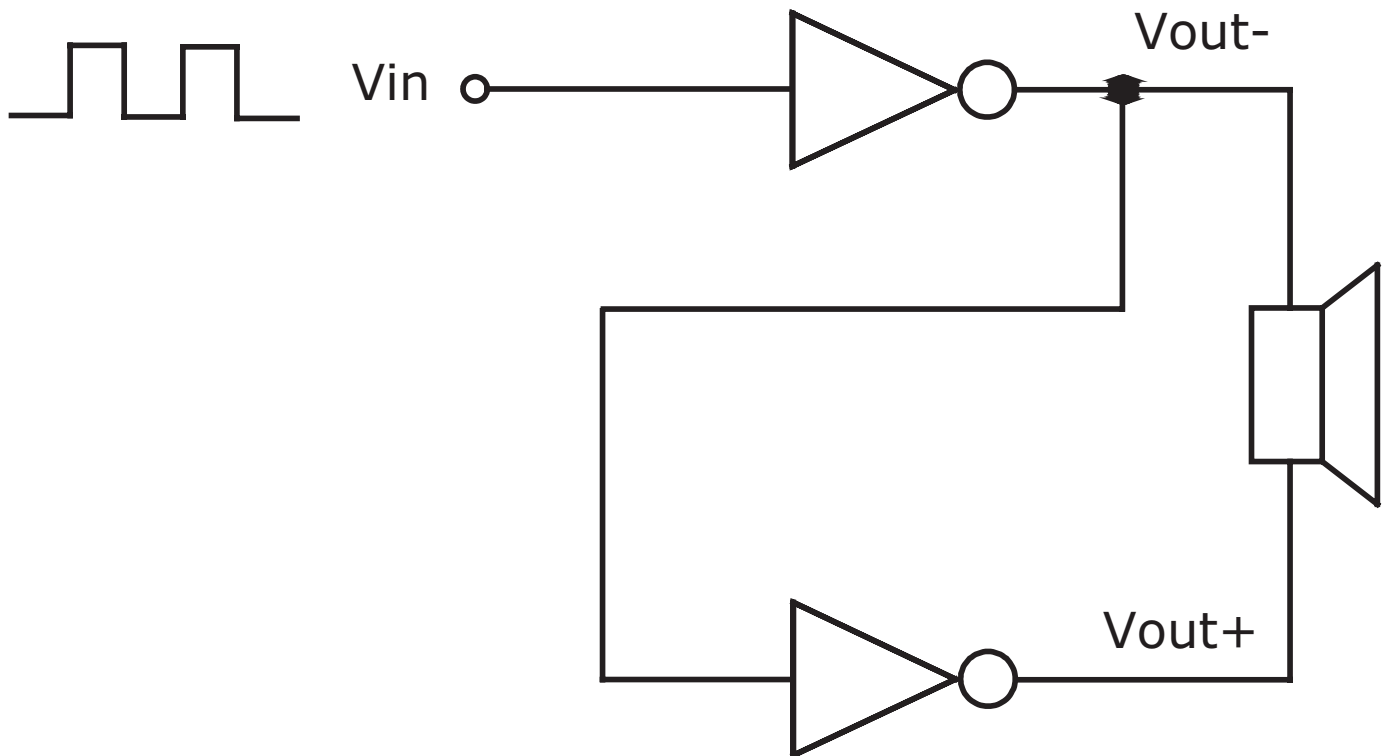
wire: UL1571 30 AWG



FREQUENCY RESPONSE CURVE



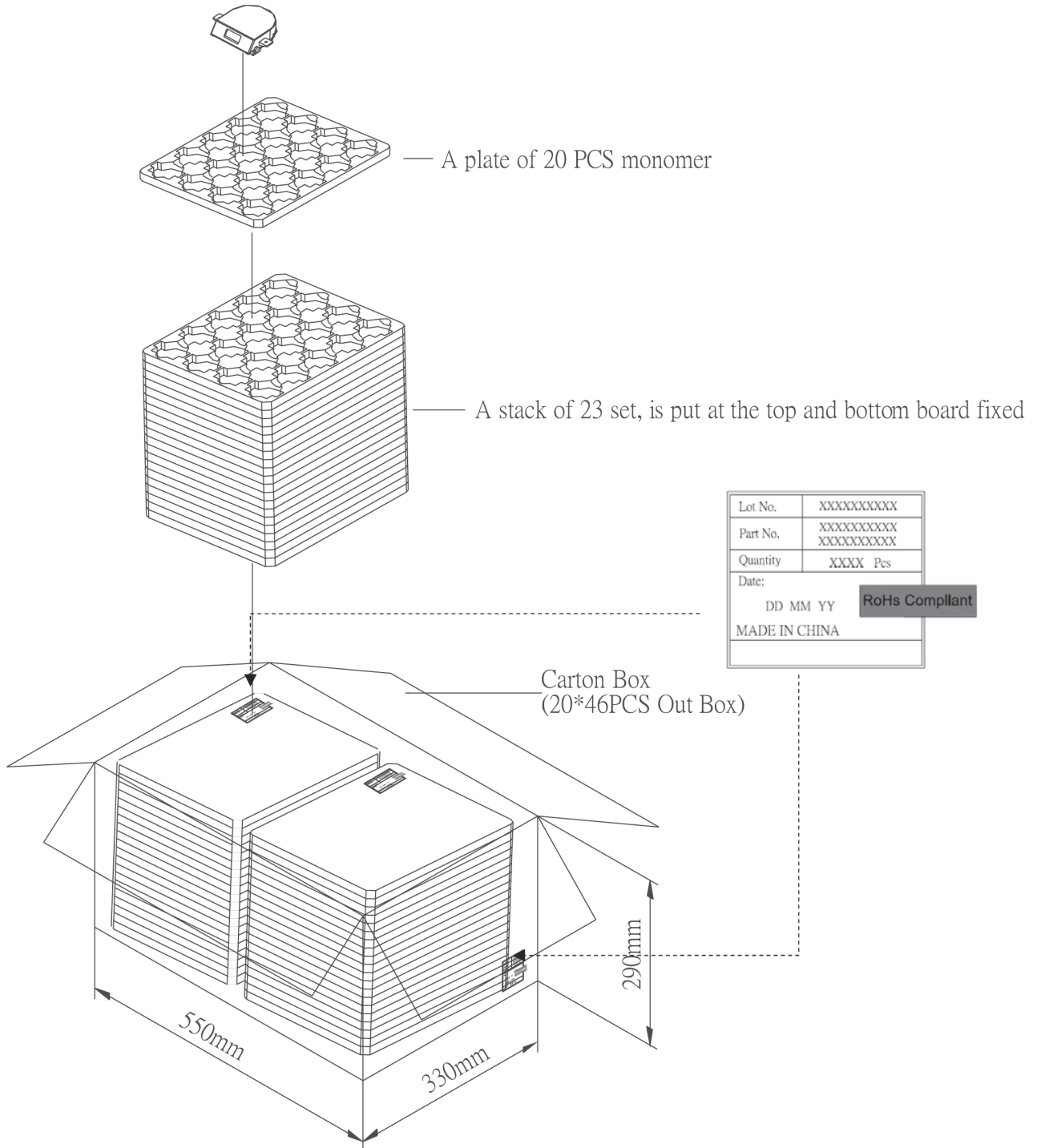
APPLICATION CIRCUIT



PACKAGING

units: mm

Carton Size: 550 x 330 x 290 mm
 Carton QTY: 920 pcs per carton



REVISION HISTORY

rev.	description	date
1.0	initial release	12/11/2019
1.01	logo, datasheet style update	08/05/2022

The revision history provided is for informational purposes only and is believed to be accurate.



CUI Devices offers a one (1) year limited warranty. Complete warranty information is listed on our website.

CUI Devices reserves the right to make changes to the product at any time without notice. Information provided by CUI Devices is believed to be accurate and reliable. However, no responsibility is assumed by CUI Devices for its use, nor for any infringements of patents or other rights of third parties which may result from its use.

CUI Devices products are not authorized or warranted for use as critical components in equipment that requires an extremely high level of reliability. A critical component is any component of a life support device or system whose failure to perform can be reasonably expected to cause the failure of the life support device or system, or to affect its safety or effectiveness.

cuidevices.com