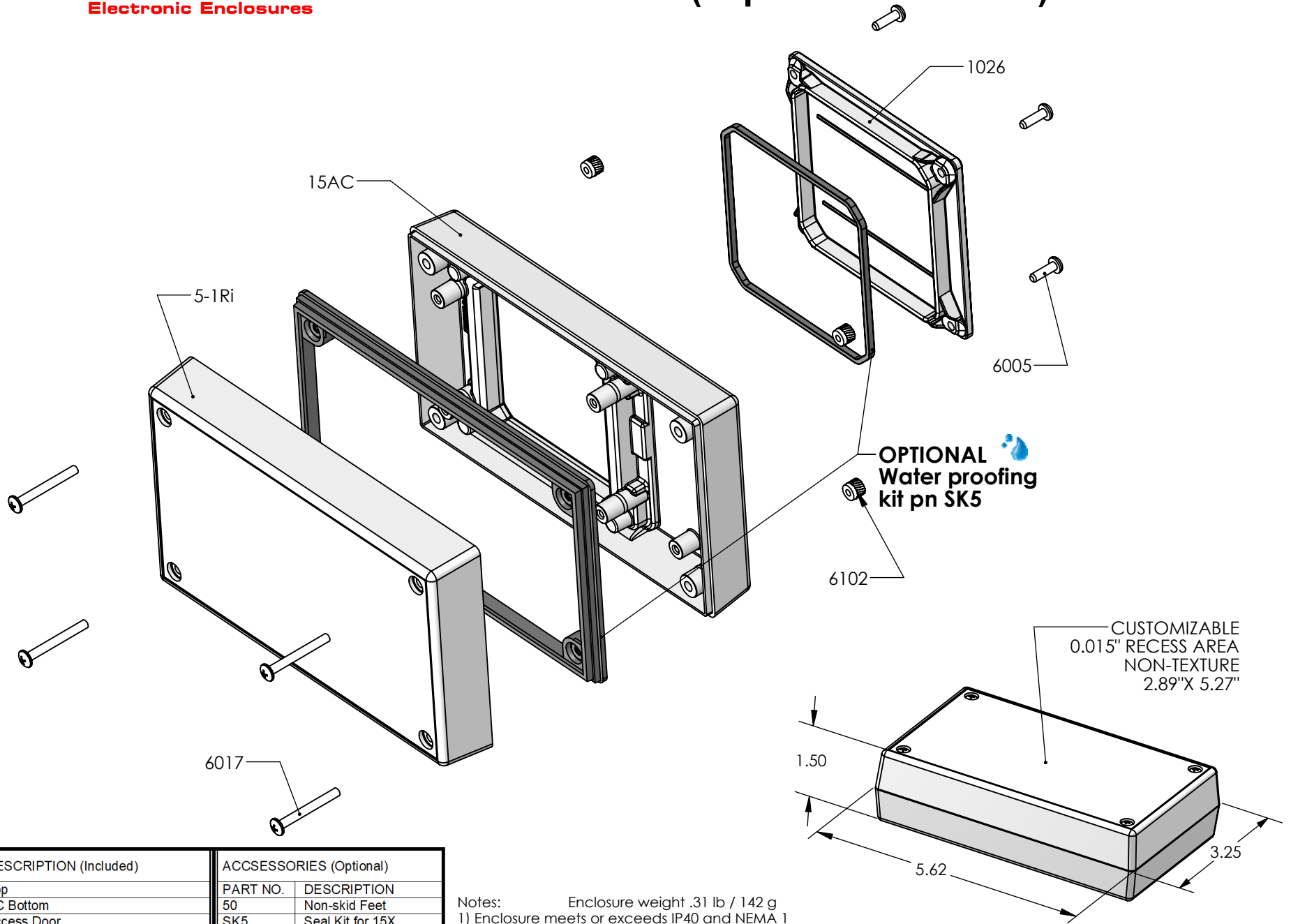


# SERPAC 151RiAC (exploded isometric)

Electronic Enclosures



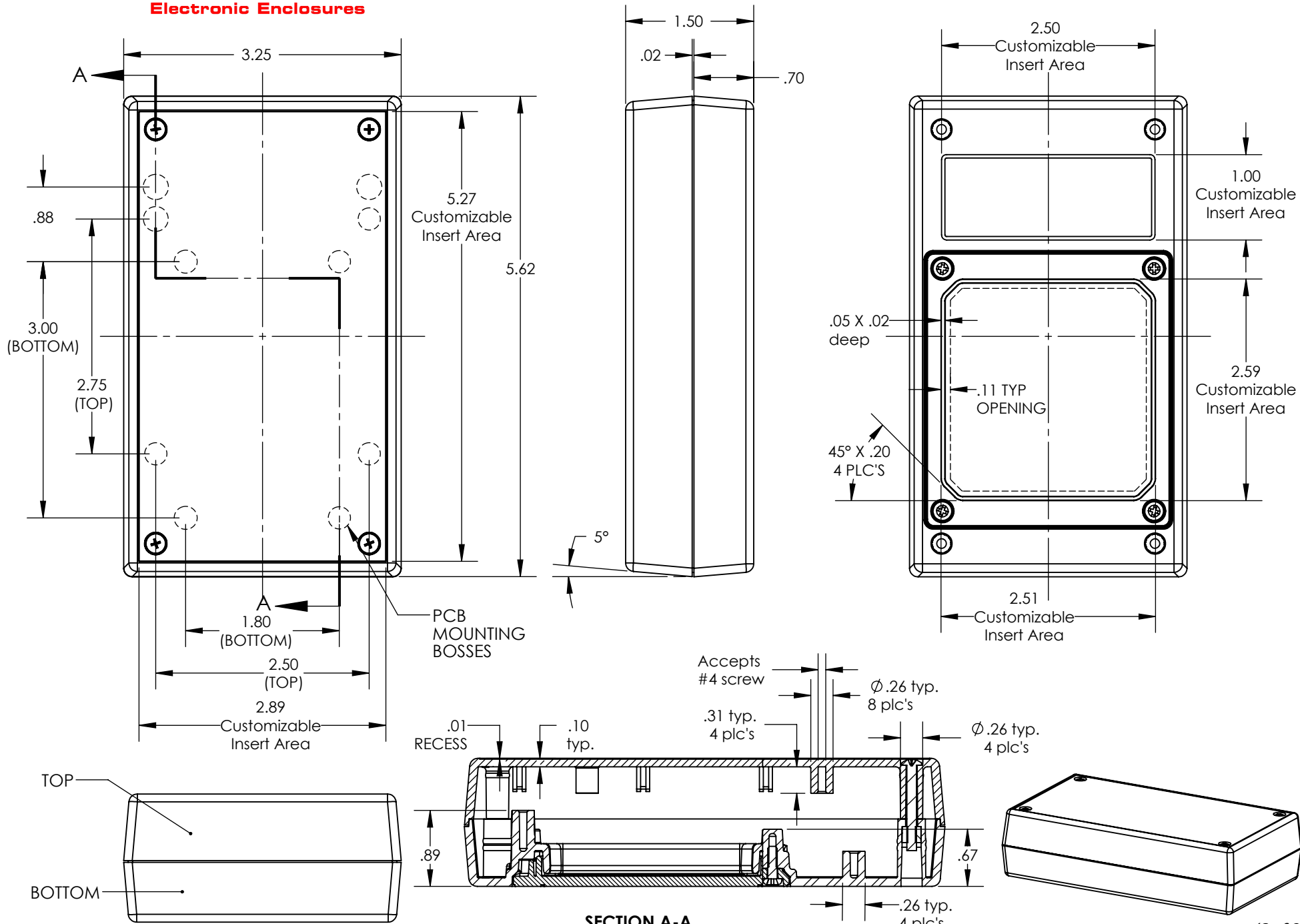
PART NO.	DESCRIPTION (Included)	ACCESSORIES (Optional)
5-1Ri	Top	PART NO. DESCRIPTION
15AC	AC Bottom	50 Non-skid Feet
1026	Access Door	SK5 Seal Kit for 15X
6005	#4X3/8" Self-Tapping Screw (4)	
6017	4-40 Screw (4)	
6102	4-40 Threaded Insert (4)	
73	Double Battery Contact (3)	
72	Single Battery Contact (2)	

- Notes:
- 1) Enclosure weight .31 lb / 142 g
  - 2) When used with SK5 the enclosure meets or exceeds IP 67 and NEMA 4X, 12 and 13 MIL-STD-810G 506.5 (.02 lb / 11g)
  - 3) Circuit Board drawings see sheet 3.
  - 4) All components are RoHS Compliant.

ALL DIMENSIONS ARE ± .010" 5/11/2021 (1 of 3)  
 2009 Wright Ave. La Verne, CA 91750  
 Ph. (626) 331-0517 Fx. (626) 331-8584 serpac.com

# SERPAC 151RiAC

Electronic Enclosures

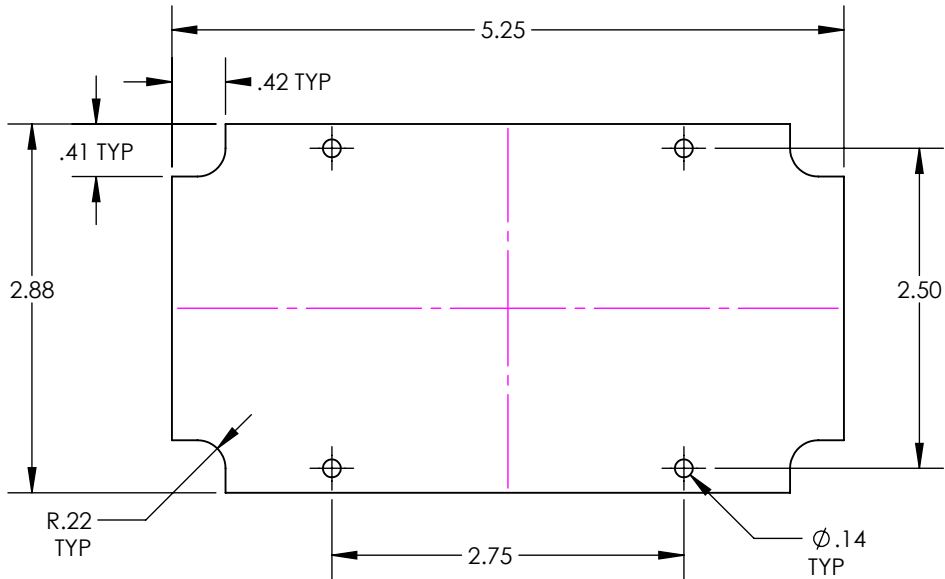


SECTION A-A

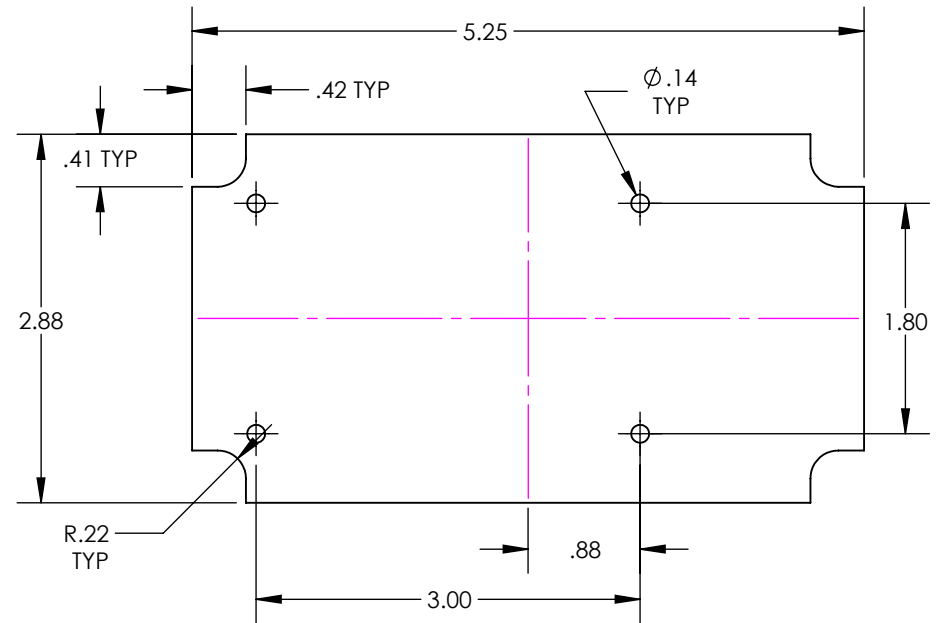
ALL DIMENSIONS ARE ±.010" 5/11/2020 (2 of 3)  
 2009 Wright Ave. La Verne, CA 91750  
 Ph. (626) 331-0517 Fx. (626) 331-8584 www.serpac.com

# PCB for 15X compartment enclosures

CIRCUIT BOARD FOR TOP



CIRCUIT BOARD FOR BOTTOM



SMALL CIRCUIT BOARD FOR BOTTOM

