

AN11024

SDARS active antenna 2nd stage LNA with BFU690, 2.33 GHz

Rev. 1 — 24 March 2011

Application note

Document information

Info	Content
Keywords	LNA, 2.33 GHz, BFU690, SDARS
Abstract	This application note provides circuit, layout, BOM and performance information for 2.33GHz LNA equipped with NXP Semiconductors BFU690 wideband transistor



Revision history

Rev	Date	Description
v.1	20110324	initial version

Contact information

For more information, please visit: <http://www.nxp.com>

For sales office addresses, please send an email to: salesaddresses@nxp.com

1. Introduction

The BFU690 is a wideband Silicon Germanium Amplifier transistor intended for high speed, low noise applications. It is designed to be used for LNA applications such as GPS, satellite radio, cordless phone and wireless LAN. The BFU690 comes in a SOT343F package providing 2 emitter pins for better grounding.

The BFU690 is ideal in all kind of applications where cost matters. It also gives the designer flexibility in his design work.

The BFU690 SiGe low noise transistor is shown here in a Satellite Digital Audio Service (SDARS) active antenna LNA application. It is intended for use as the 2nd stage in a 3 stage SIRIUS LNA chain.

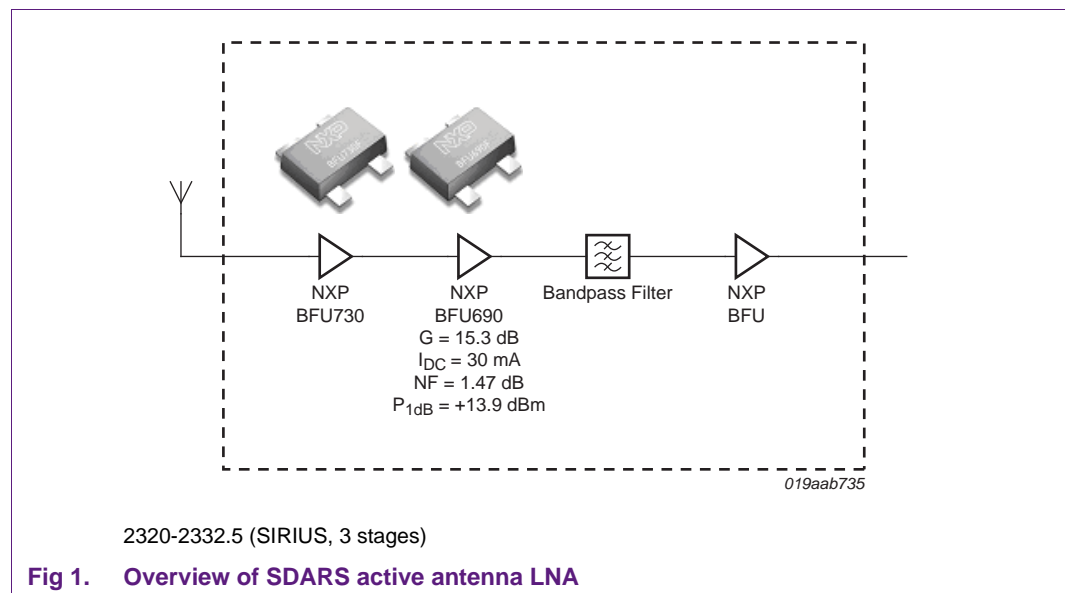


Fig 1. Overview of SDARS active antenna LNA

The 2.33 GHz LNA evaluation board (EVB) is designed to evaluate the performance of the BFU690 transistor applied as the 2nd stage in a 3 stage SIRIUS LNA chain. In this document, the application diagram, board layout, bill of material, and some typical results are given.

The evaluation board is shown in [Figure 2](#)

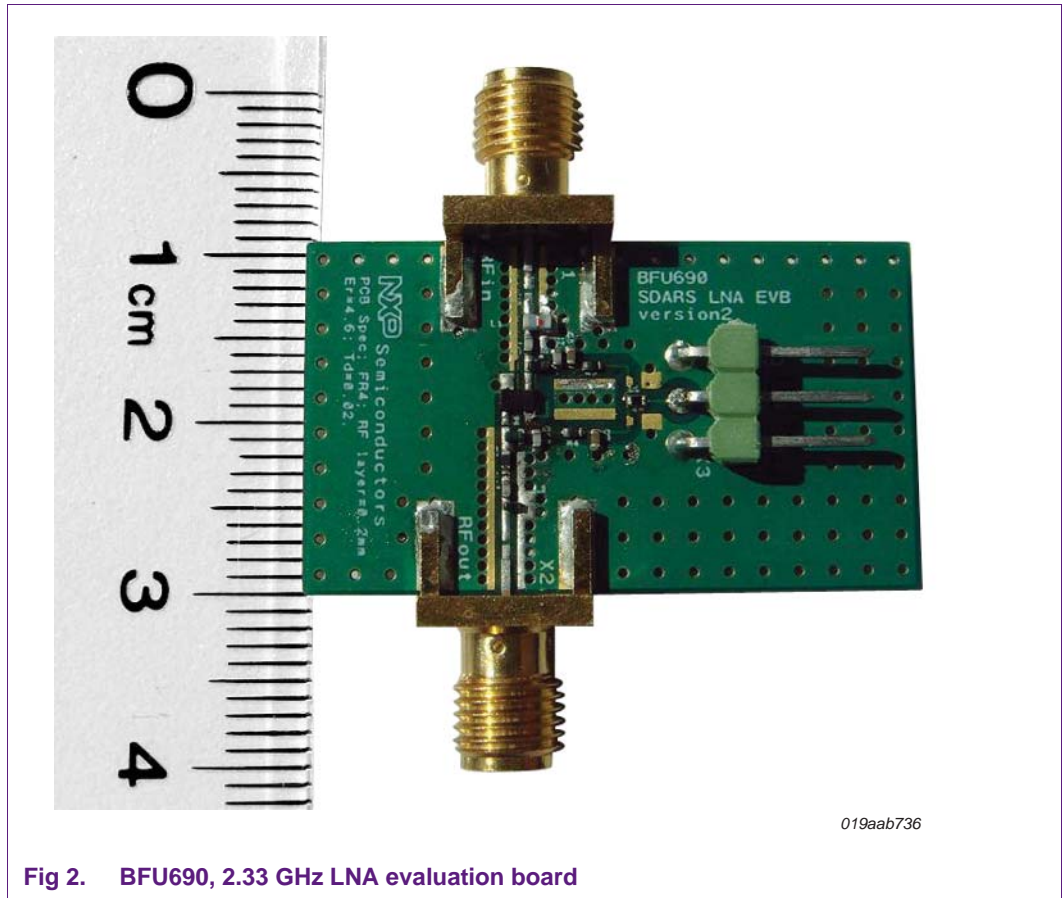


Fig 2. BFU690, 2.33 GHz LNA evaluation board

2. General description

The BFU690 is a NPN silicon germanium microwave transistor for high speed, low noise applications in a plastic, 4-pin dual-emitter SOT343F package. [Table 1](#) shows a summary of the transistor performance in terms of noise and gain.

Table 1. BFU690 performance in terms of noise and gain measured at $V_{CE} = 2\text{ V}$; $I_C = 25\text{ mA}$

Frequency (GHz)	Noise figure (dB)	Associated gain (dB)
1.5	1.13	19.5
2.4	1.51	15.7

Table 2. BFU690 pinning information

Pin	Description	Simplified outline	Graphic symbol
1	emitter		
2	base		
3	emitter		
4	collector		

3. Application board

The BFU690 2.33GHz EVB simplifies the evaluation of the BFU690 wideband transistor, for this frequency range. The EVB enables testing of the device performance and requires no additional support circuitry. The board is fully assembled with the BFU690, including input and output matching, to optimize the performance. The input match was a compromise between the best noise figure and a low input return loss. The board is mounted with signal input and output SMA connectors for connection to RF test equipment:

3.1 Application circuit

The application diagram as supplied on the evaluation board is shown in [Figure 3](#).

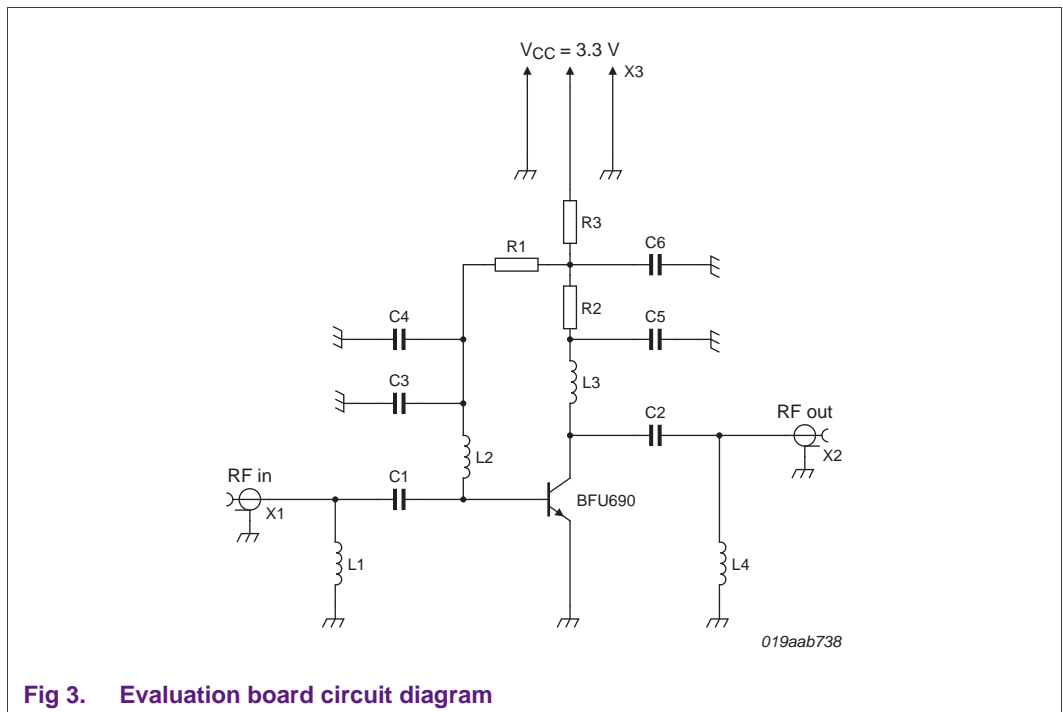


Fig 3. Evaluation board circuit diagram

3.2 Board layout

[Figure 2](#) shows the board layout with components.

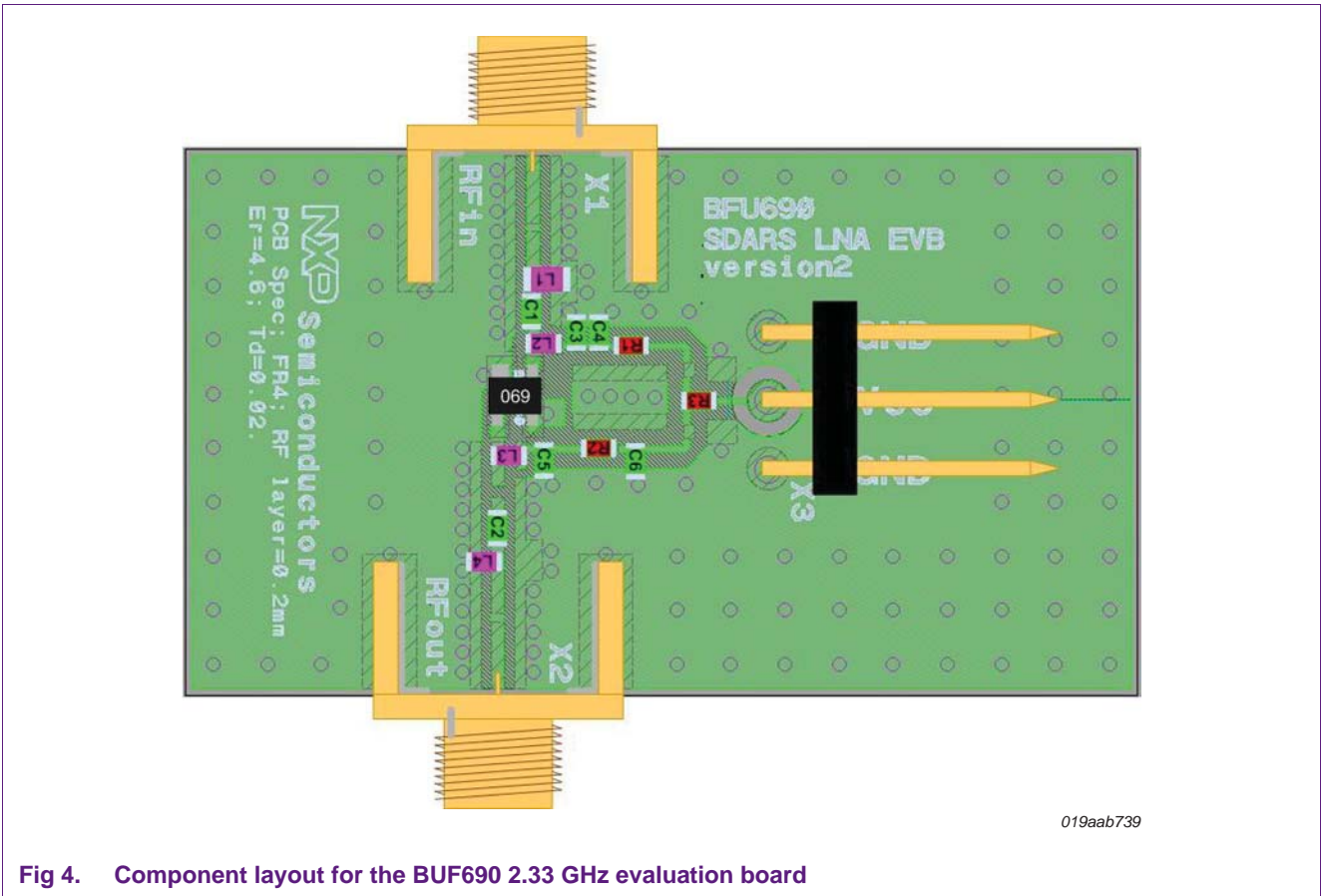


Fig 4. Component layout for the BFU690 2.33 GHz evaluation board

3.3 PCB layout

A good PCB Layout is an essential part of an RF circuit design. The EVB of the BFU690 can serve as a guideline for laying out a board using either the BFU690. Use controlled impedance lines for all high frequency inputs and outputs. Bypass supply voltage V_{CC} with decoupling capacitors, preferable located as close as possible to the device. For long bias lines it may be necessary to add decoupling capacitors along the line further away from the device. Proper grounding of the GND pin is also essential for the performance. Either connect the GND pin directly to the ground plane or through vias, or do both.

The EVB is made of FR4 material using the stack shown in [Figure 5](#)

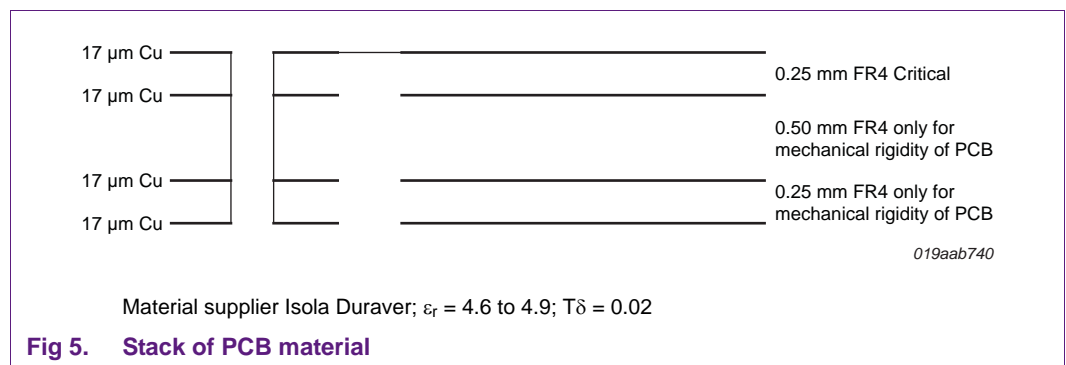


Fig 5. Stack of PCB material

3.4 Bill of materials

Table 3. Bill of materials

Component	Description	Footprint	Value	Manufacturer	Comment
C1, C2	capacitor	0402	1.8 pF	Murata GRM1555	DC blocking
C3, C5	capacitor	0402	8.2 pF	Murata GRM1555	LF decoupling
C4, C6	capacitor	0402	10 nF	Murata GRM1555	LF decoupling
L1	inductor	0402	1.6 nH	Coilcraft 0603CS; high Q, low Rs	input matching
L2	inductor	0402	12 nH	Murata/LQW15A; high Q, low Rs	input matching /DC bias
L3	inductor	0402	3.9 nH	Murata/LQW15A	input matching
L4	inductor	0402	4.1 nH	Murata/LQW15A	input matching /DC bias
R1	resistor	0402	9.1 k Ω	various	bias setting
R2	resistor	0402	22 Ω	various	stability
R3	resistor	0402	15 Ω	various	bias setting temp stability
X1, X2	SMA RF connector	-	-	Johnson, End Launch SMA 142-0701-841	RF input/ RF output
X3	DC header	-	-	Molex, PCB header, Right angle, 1 row, 3 way, Part no: 90121-0763	bias connector

4. Required equipment

In order to measure the evaluation board the following are necessary:

- DC power supply up to 60 mA at 3.3 V (up to 15 V for bias Control)
- RF signal generator capable of generating an RF signal at the 2.33 GHz operating frequency
- RF spectrum analyzer covering as a minimum the 2.33 GHz operating frequency and some of the harmonics (up to 8 GHz should be sufficient). Optional: a version with the capability of measuring noise figure is convenient
- Amp meter to measure the supply current (optional)
- NetWork analyzer for measuring gain, return loss and reverse isolation
- Noise figure analyzer.

5. Connections and setup

The BFU690, 2.33 GHz EVB is fully assembled and tested. To operate the EVB and test the device functions follow this step-by-step guide:

1. Connect the DC power supply to the V_{CC} and GND terminals and set to 3.3 V.
2. Connect the RF signal generator and the spectrum analyzer to the RF input and the RF output of the EVB respectively. Do not yet turn on the RF output of the signal generator. Set it to -30 dBm output power at 2.33 GHz and set the spectrum analyzer to 2.33 GHz center frequency with a reference level of 0 dBm.
3. Turn on the DC power supply and it should read approximately 30 mA.
4. Enable the RF output of the generator; the spectrum analyzer displays a tone of 2.33 GHz at approximately 14.7 dBm.

5. A NetWork Analyzer (NWA) can be used instead of a signal generator and spectrum analyzer in order to measure both gain and input and output return losses.
6. For noise figure evaluation use either a noise figure analyzer or a spectrum analyzer with noise option. The use of a 15 dB noise source, such as the Agilent 364B is recommended. When measuring the noise figure of the evaluation board, any kind of adaptors, cables etc, between the noise source and the EVB should be avoided, since this affects the noise performance.

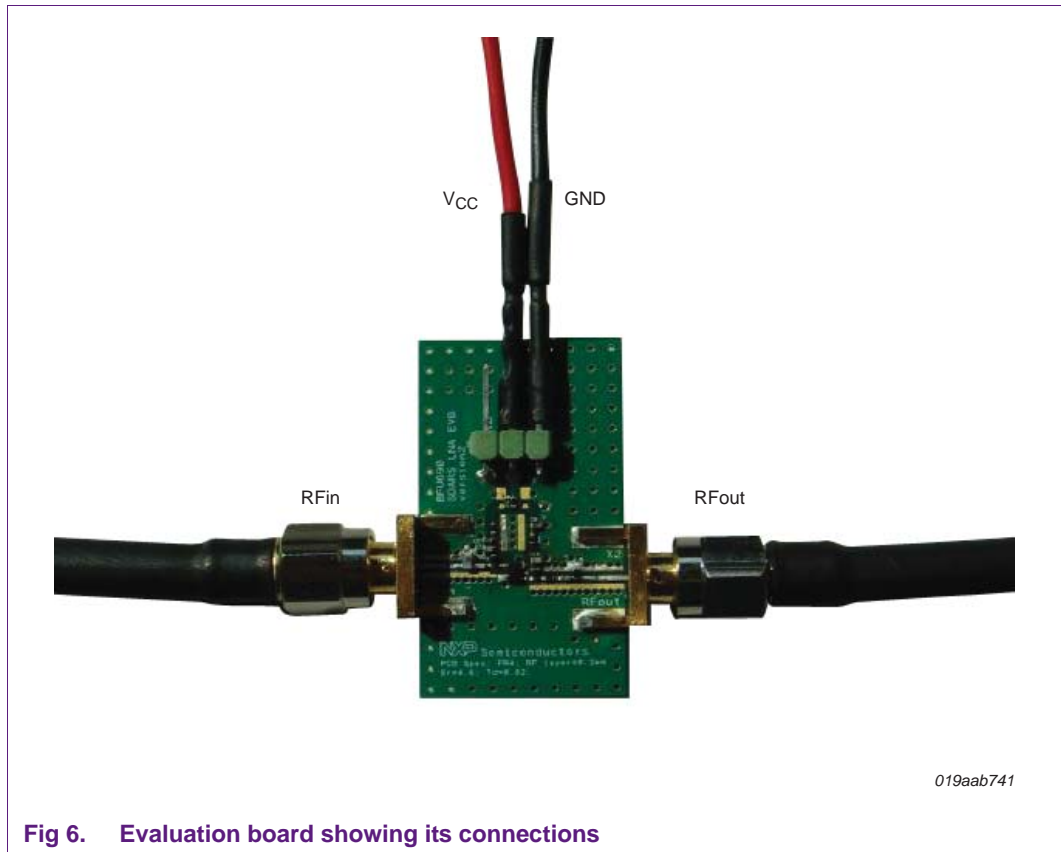


Fig 6. Evaluation board showing its connections

6. Typical EVB results

Table 4. Typical results measured on the evaluation board
T = 25 °C; f = 2.33 GHz unless otherwise specified

Symbol	Parameter	BFU690 EVB	Unit
NF	noise figure	1.47 ^[1]	dB
G _p	power gain	15.3 ^[1]	dB
IRL	input return loss	10	dB
ORL	output return loss	17	dB
$\alpha_{isol(r)}$	reverse isolation	20.7	dB
P _{i(1dB)}	input power at 1 dB gain compression	-0.48	dBm

Table 4. Typical results measured on the evaluation board ...continued
T = 25 °C; f = 2.33 GHz unless otherwise specified

Symbol	Parameter	BFU690 EVB	Unit
$P_{L(1dB)}$	output power at 1 dB gain compression	13.9	dBm
$IP3_i$	input third order intercept point	12.85	dBm
$IP3_o$	output third order intercept point	28.15	dBm

[1] The NF and gain figures are measured at the SMA connectors of the EVB, so the connector and PCB losses are not subtracted. If subtracted the NF will improve by approximately 0.1 dB.

6.1 Noise figure

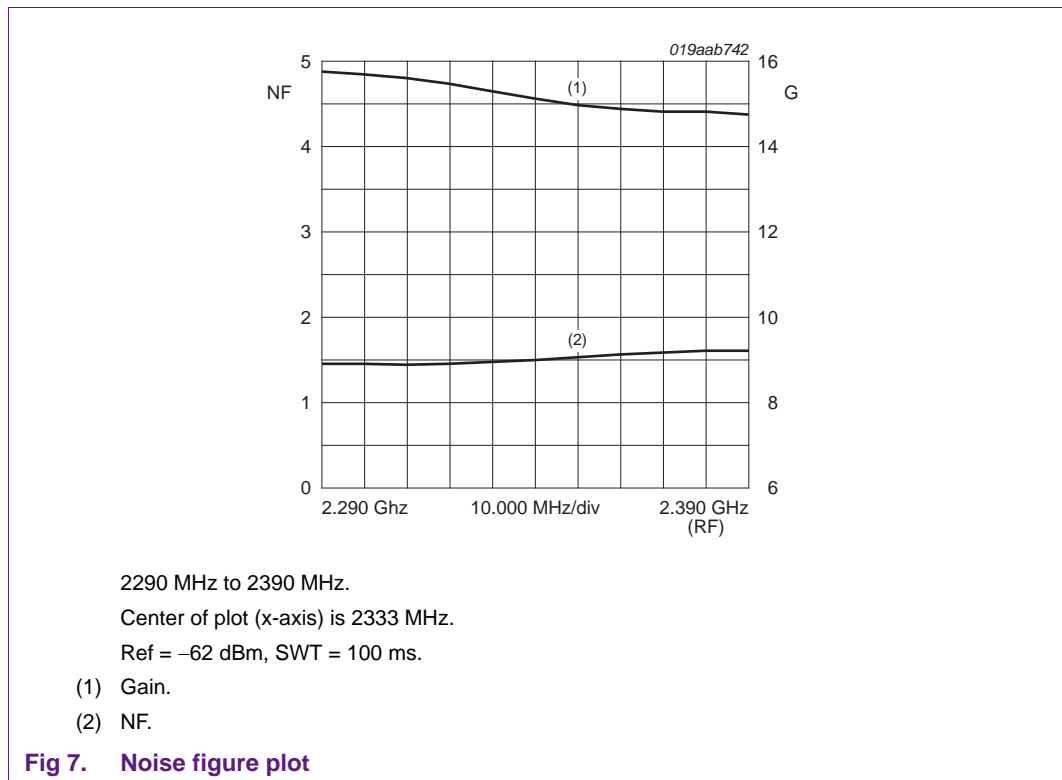


Table 5. Noise figure tabular data
 From Rohde & Schwarz FSU

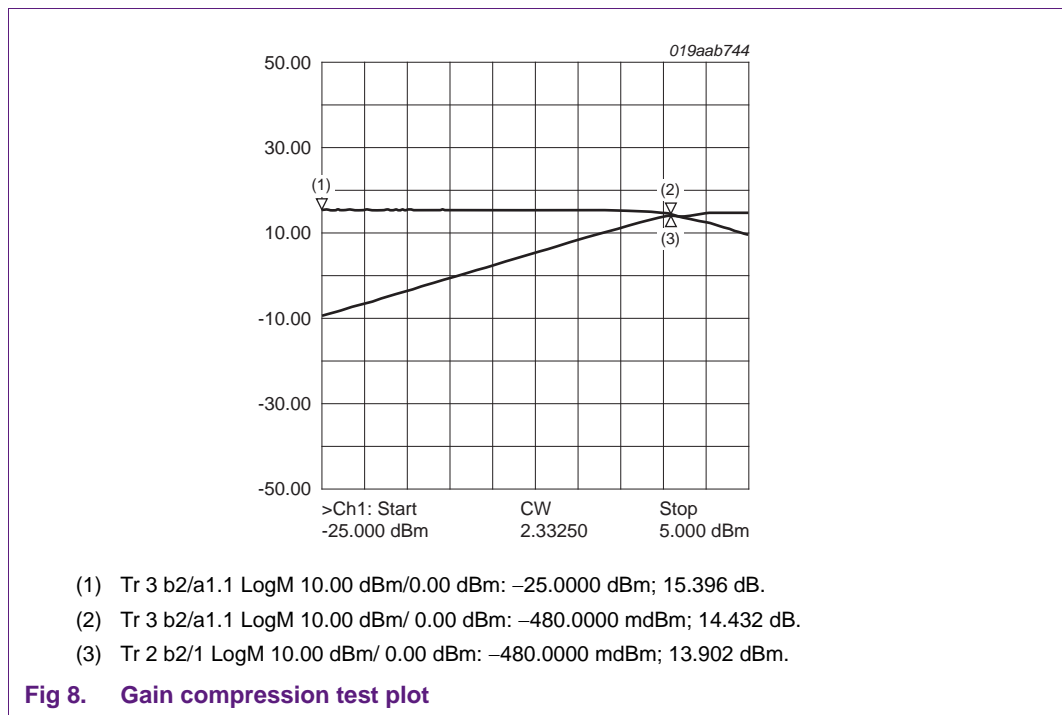
Frequency list results			
RF (GHz)	NF (dB)	Noise temp (K)	Gain (dB)
2.290	1.456	115.508	15.758
2.300	1.445	114.499	15.699
2.310	1.445	114.486	15.601
2.320	1.450	114.944	15.468
2.330	1.468	116.673	15.297
2.340	1.499	119.495	15.124

Table 5. Noise figure tabular data ...continued
 From Rohde & Schwarz FSU

Frequency list results			
RF (GHz)	NF (dB)	Noise temp (K)	Gain (dB)
2.350	1.528	122.291	14.968
2.360	1.564	125.712	14.875
2.370	1.587	127.888	14.822
2.380	1.601	129.290	14.810
2.390	1.607	129.874	14.750

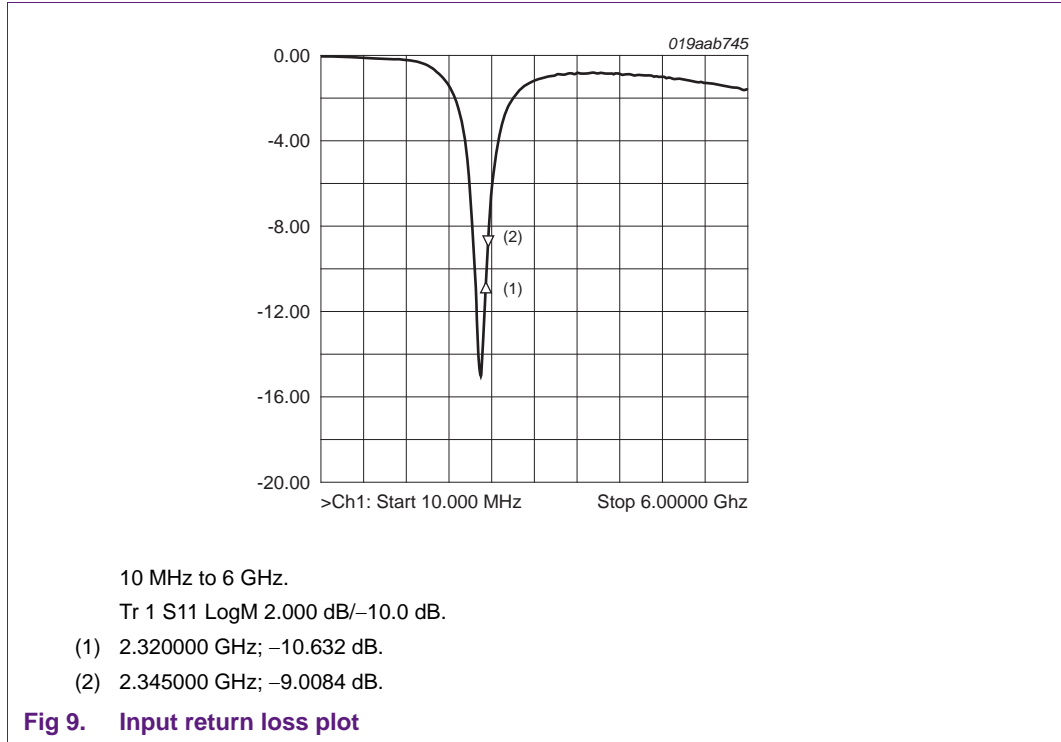
6.2 Gain compression test

The network analyzer is set to CW mode: e.g. set to a single frequency, with power sweep. Input power is swept from -25 dBm to +5 dBm at 2332.5 MHz. The amplifier reaches input 1 dB compression point ($P_{i(1dB)}$) at -0.48 dBm input power. Output $P_{L(1dB)} = -0.48 \text{ dBm} + 14.4 \text{ dB gain at } P_{L(1dB)} \text{ point} \geq +13.9 \text{ dBm}$, or 24.5 mW

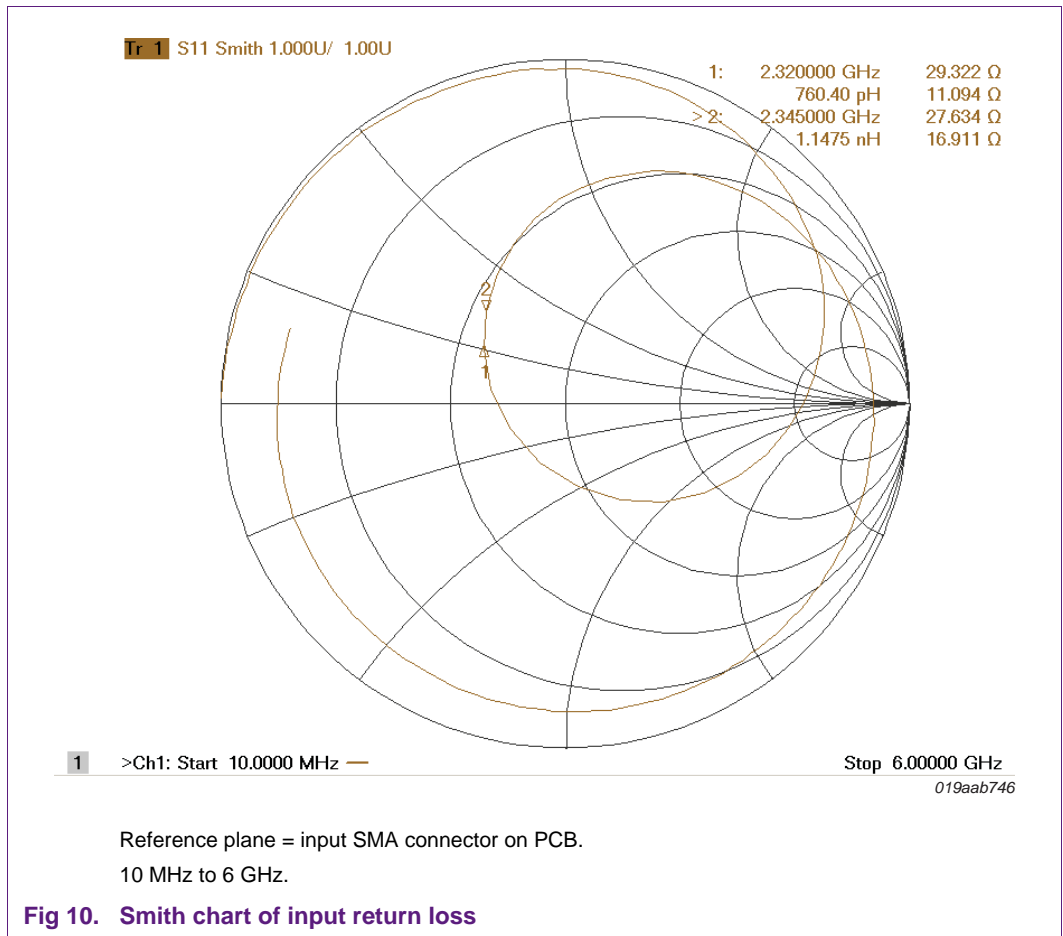


6.3 Input return losses

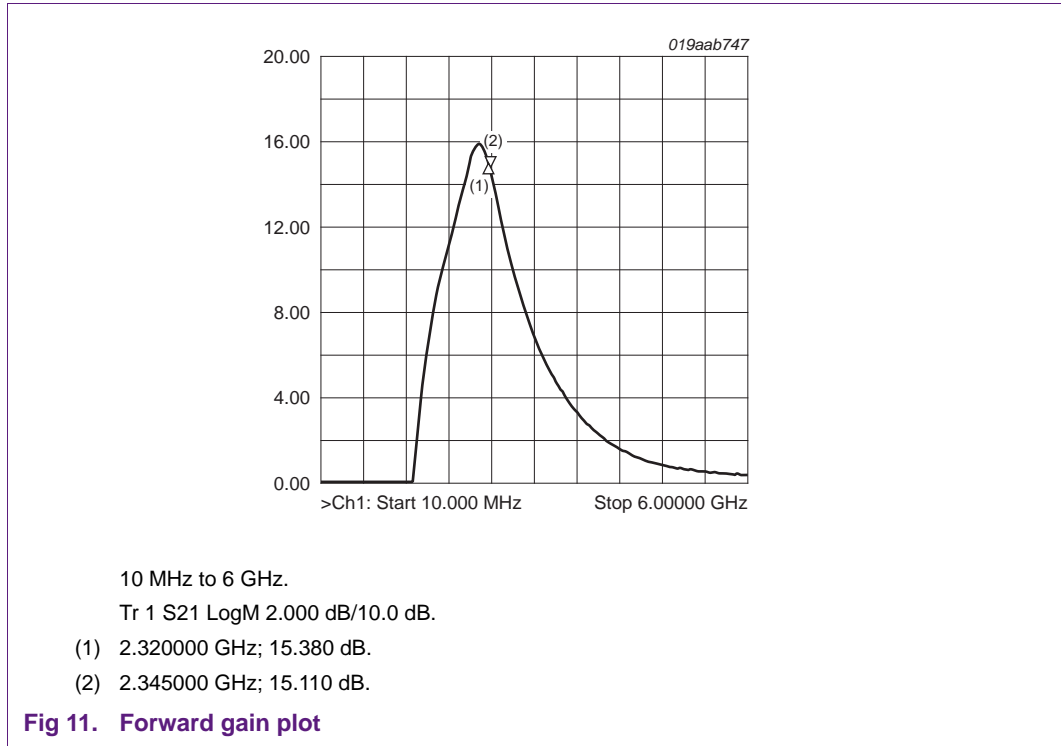
6.3.1 Log Mag



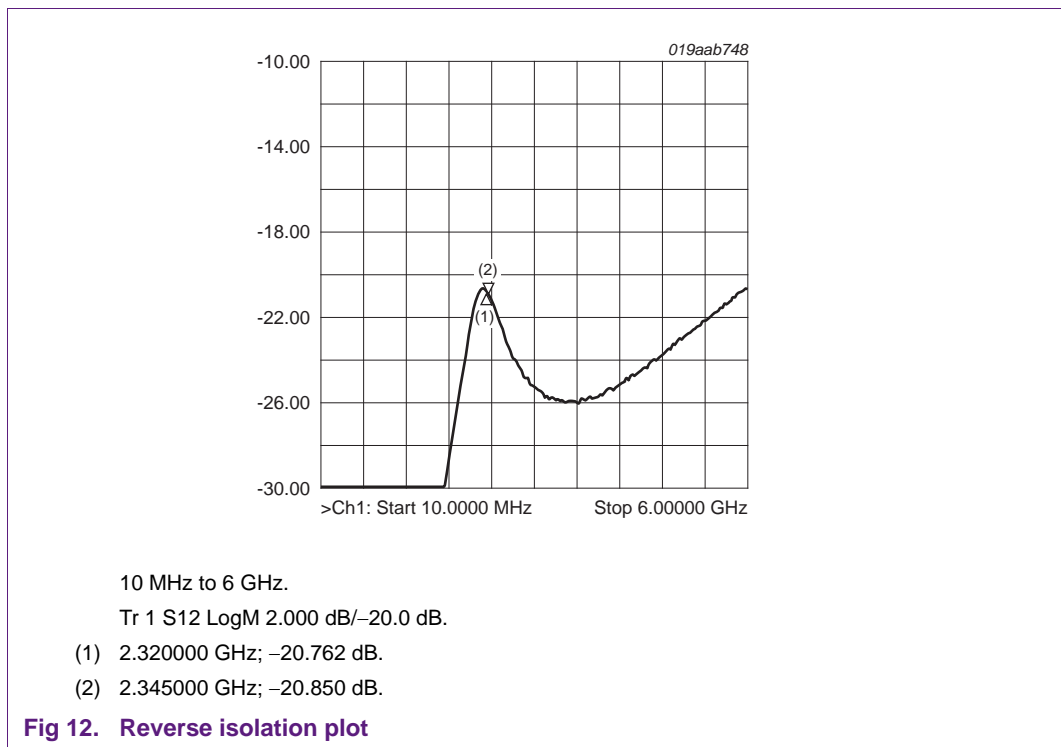
6.3.2 Smith chart



6.4 Forward gain, wide sweep

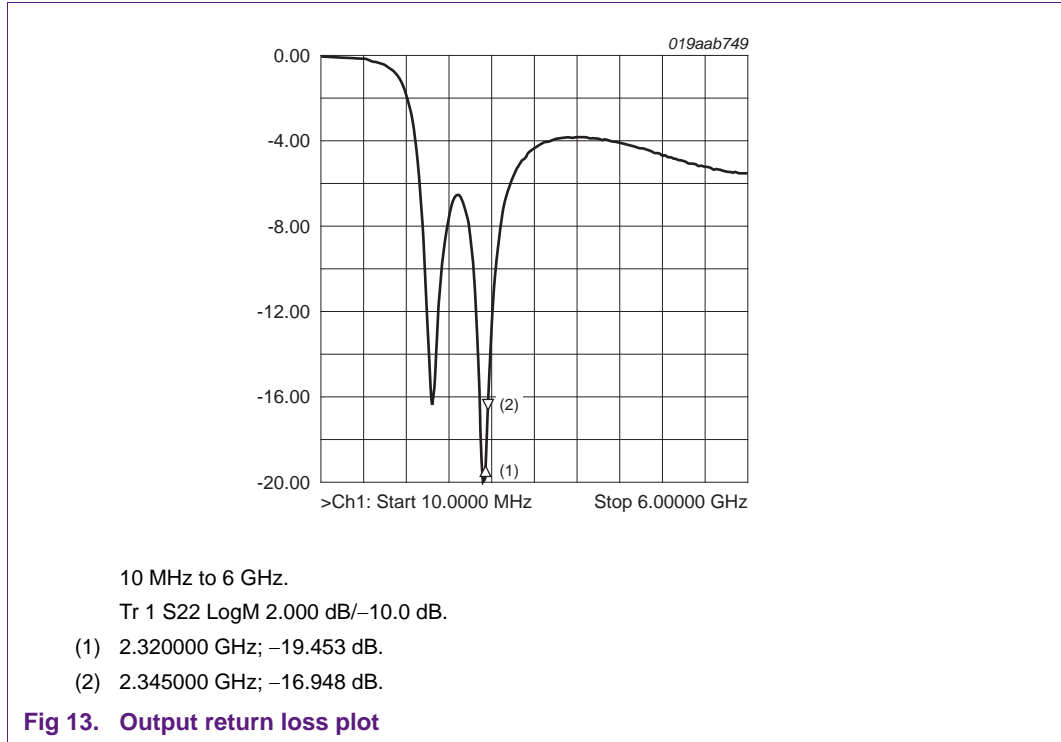


6.5 Reverse isolation

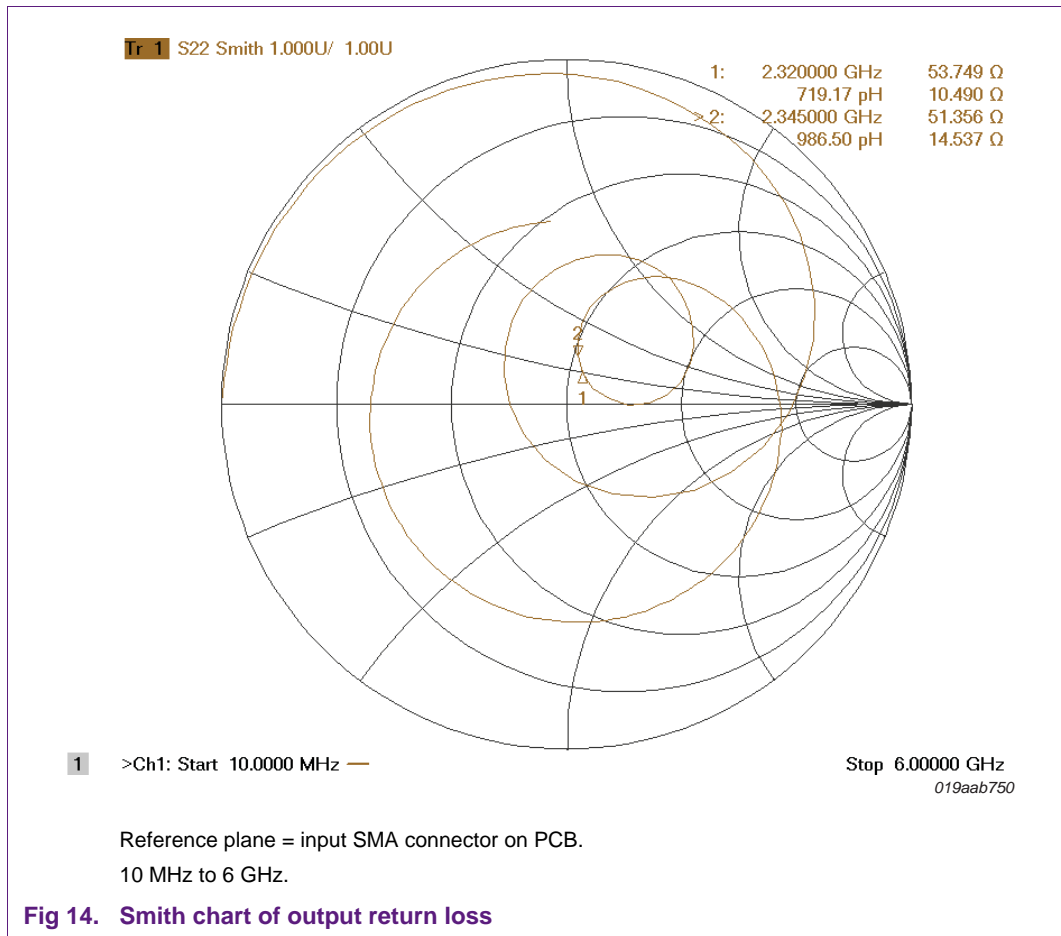


6.6 Output return losses

6.6.1 Log Mag

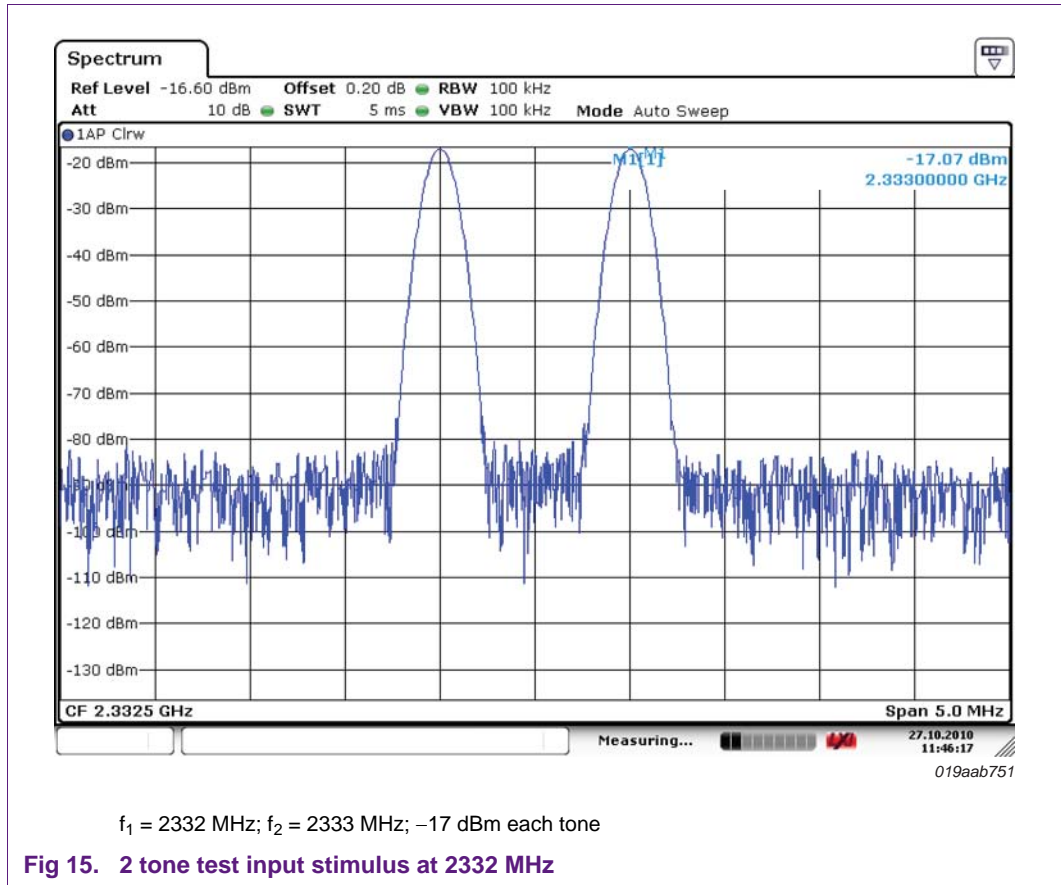


6.6.2 Smith chart

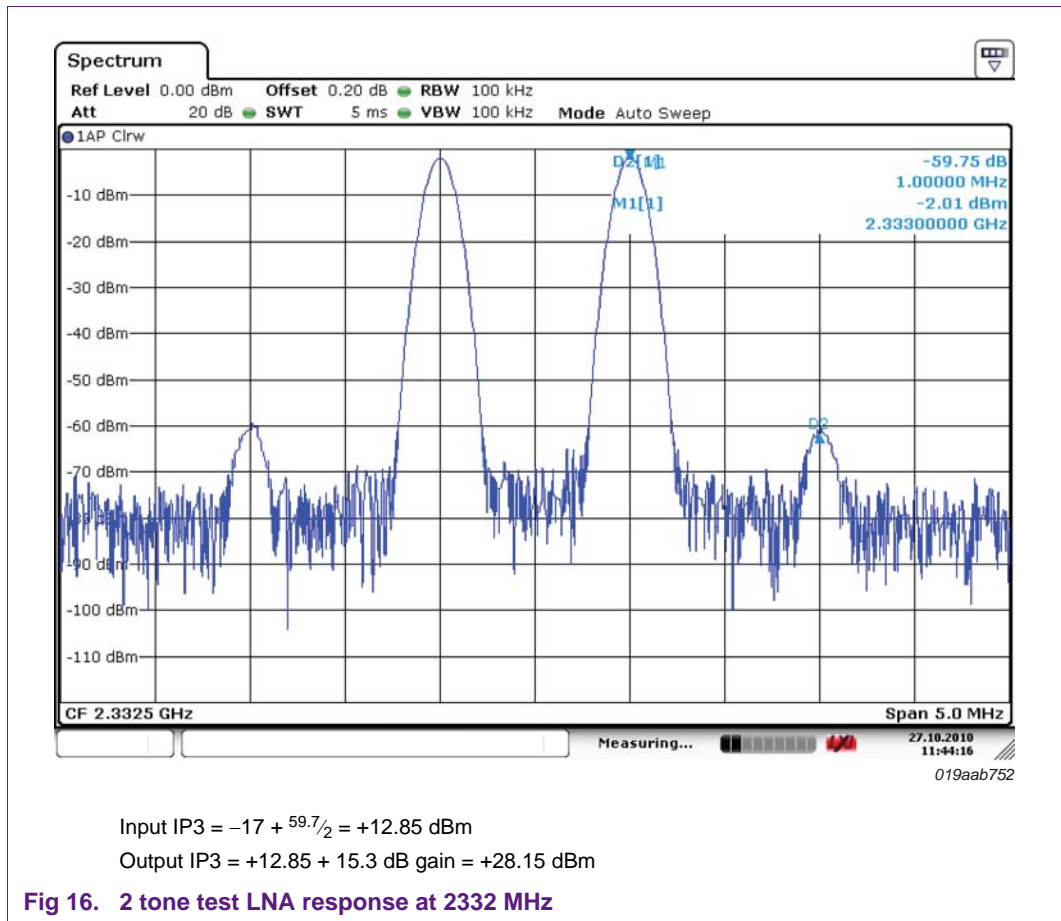


6.7 2-tone test at 2332 MHz

6.7.1 Input stimulus for amplifier 2-tone test



6.7.2 LNA response to 2-tone test



7. Abbreviations

Table 6. Abbreviations

Acronym	Description
EVB	EVALUATION BOARD
GPS	GLOBAL POSITIONING SYSTEM
LAN	LOCAL AREA NETWORK
LNA	LOW NOISE AMPLIFIER
NWA	NETWORK ANALYZER
RF	RADIO FREQUENCY
SDARS	SATELLITE DIGITAL AUDIO SERVICE

8. Legal information

8.1 Definitions

Draft — The document is a draft version only. The content is still under internal review and subject to formal approval, which may result in modifications or additions. NXP Semiconductors does not give any representations or warranties as to the accuracy or completeness of information included herein and shall have no liability for the consequences of use of such information.

8.2 Disclaimers

Limited warranty and liability — Information in this document is believed to be accurate and reliable. However, NXP Semiconductors does not give any representations or warranties, expressed or implied, as to the accuracy or completeness of such information and shall have no liability for the consequences of use of such information.

In no event shall NXP Semiconductors be liable for any indirect, incidental, punitive, special or consequential damages (including - without limitation - lost profits, lost savings, business interruption, costs related to the removal or replacement of any products or rework charges) whether or not such damages are based on tort (including negligence), warranty, breach of contract or any other legal theory.

Notwithstanding any damages that customer might incur for any reason whatsoever, NXP Semiconductors' aggregate and cumulative liability towards customer for the products described herein shall be limited in accordance with the *Terms and conditions of commercial sale* of NXP Semiconductors.

Right to make changes — NXP Semiconductors reserves the right to make changes to information published in this document, including without limitation specifications and product descriptions, at any time and without notice. This document supersedes and replaces all information supplied prior to the publication hereof.

Suitability for use — NXP Semiconductors products are not designed, authorized or warranted to be suitable for use in life support, life-critical or safety-critical systems or equipment, nor in applications where failure or malfunction of an NXP Semiconductors product can reasonably be expected to result in personal injury, death or severe property or environmental damage. NXP Semiconductors accepts no liability for inclusion and/or use of NXP Semiconductors products in such equipment or applications and therefore such inclusion and/or use is at the customer's own risk.

Applications — Applications that are described herein for any of these products are for illustrative purposes only. NXP Semiconductors makes no representation or warranty that such applications will be suitable for the specified use without further testing or modification.

Customers are responsible for the design and operation of their applications and products using NXP Semiconductors products, and NXP Semiconductors accepts no liability for any assistance with applications or customer product

design. It is customer's sole responsibility to determine whether the NXP Semiconductors product is suitable and fit for the customer's applications and products planned, as well as for the planned application and use of customer's third party customer(s). Customers should provide appropriate design and operating safeguards to minimize the risks associated with their applications and products.

NXP Semiconductors does not accept any liability related to any default, damage, costs or problem which is based on any weakness or default in the customer's applications or products, or the application or use by customer's third party customer(s). Customer is responsible for doing all necessary testing for the customer's applications and products using NXP Semiconductors products in order to avoid a default of the applications and the products or of the application or use by customer's third party customer(s). NXP does not accept any liability in this respect.

Export control — This document as well as the item(s) described herein may be subject to export control regulations. Export might require a prior authorization from national authorities.

Evaluation products — This product is provided on an "as is" and "with all faults" basis for evaluation purposes only. NXP Semiconductors, its affiliates and their suppliers expressly disclaim all warranties, whether express, implied or statutory, including but not limited to the implied warranties of non-infringement, merchantability and fitness for a particular purpose. The entire risk as to the quality, or arising out of the use or performance, of this product remains with customer.

In no event shall NXP Semiconductors, its affiliates or their suppliers be liable to customer for any special, indirect, consequential, punitive or incidental damages (including without limitation damages for loss of business, business interruption, loss of use, loss of data or information, and the like) arising out of the use of or inability to use the product, whether or not based on tort (including negligence), strict liability, breach of contract, breach of warranty or any other theory, even if advised of the possibility of such damages.

Notwithstanding any damages that customer might incur for any reason whatsoever (including without limitation, all damages referenced above and all direct or general damages), the entire liability of NXP Semiconductors, its affiliates and their suppliers and customer's exclusive remedy for all of the foregoing shall be limited to actual damages incurred by customer based on reasonable reliance up to the greater of the amount actually paid by customer for the product or five dollars (US\$5.00). The foregoing limitations, exclusions and disclaimers shall apply to the maximum extent permitted by applicable law, even if any remedy fails of its essential purpose.

8.3 Trademarks

Notice: All referenced brands, product names, service names and trademarks are the property of their respective owners.

9. Contents

1 Introduction 3

2 General description 4

3 Application board 5

3.1 Application circuit 5

3.2 Board layout 5

3.3 PCB layout 6

3.4 Bill of materials 7

4 Required equipment 7

5 Connections and setup 7

6 Typical EVB results 8

6.1 Noise figure 9

6.2 Gain compression test 10

6.3 Input return losses 11

6.3.1 Log Mag 11

6.3.2 Smith chart 12

6.4 Forward gain, wide sweep 13

6.5 Reverse isolation 13

6.6 Output return losses 14

6.6.1 Log Mag 14

6.6.2 Smith chart 15

6.7 2-tone test at 2332 MHz 16

6.7.1 Input stimulus for amplifier 2-tone test 16

6.7.2 LNA response to 2-tone test 17

7 Abbreviations 17

8 Legal information 18

8.1 Definitions 18

8.2 Disclaimers 18

8.3 Trademarks 18

9 Contents 19

Please be aware that important notices concerning this document and the product(s) described herein, have been included in section 'Legal information'.

© NXP B.V. 2011.

All rights reserved.

For more information, please visit: <http://www.nxp.com>

For sales office addresses, please send an email to: salesaddresses@nxp.com

Date of release: 24 March 2011

Document identifier: AN11024