



Project Name \_\_\_\_\_

Catalog No. \_\_\_\_\_ Date \_\_\_\_\_

The Low Voltage dimmable switch station will provide manual control and 0-10V dimming for stand-alone applications. The Low Voltage dimmable switch station will also provide the customer with the opportunity to bring an already Hubbell Control Solutions (HCS) project that utilizes stand-alone control packs and sensors to upgrade and install LED dimmable fixtures.

Momentary, latching and a combination version containing a momentary and latching button provide flexibility to be used with our occupancy or vacancy control packs or a combination of both types.

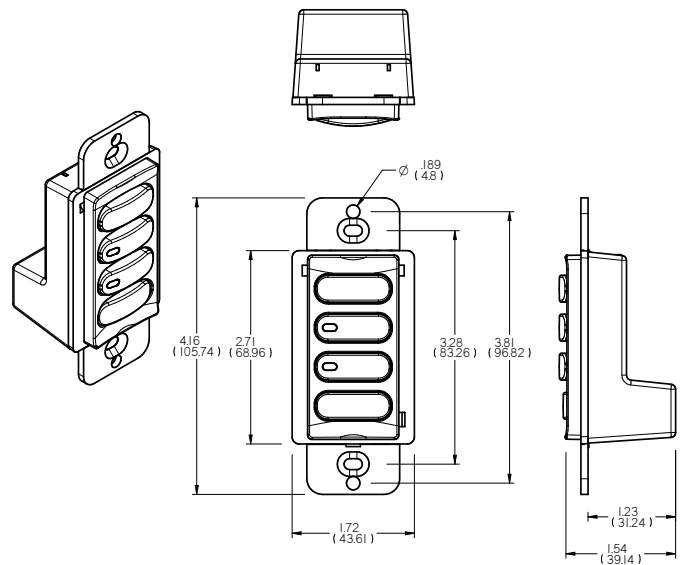
**Product Features**

- Attractive, architecturally-pleasing decorator style design
- Gang-able with other decorator type devices
- Momentary version
- Latching version
- Combination Momentary and Latching version
- Works with all HCS Control and Auxiliary packs
- Pilot light function supported
- Provides 0-10V dimming control
- Low Voltage device: 24VDC
- Five-year limited warranty

**Certifications**



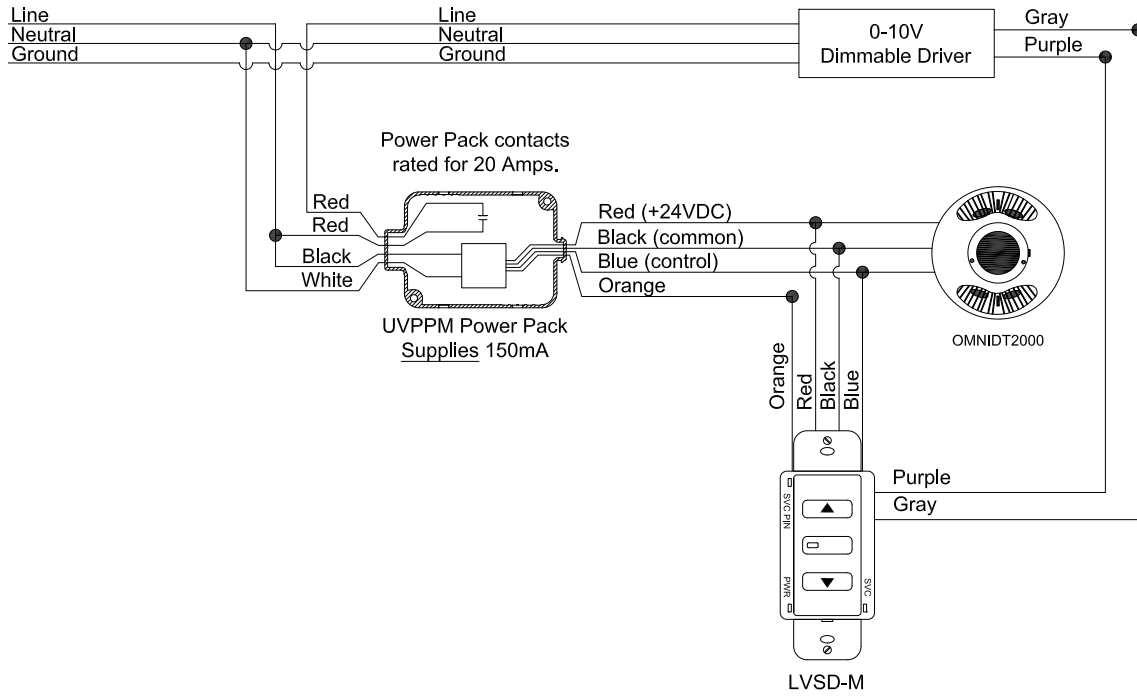
**Dimensions**



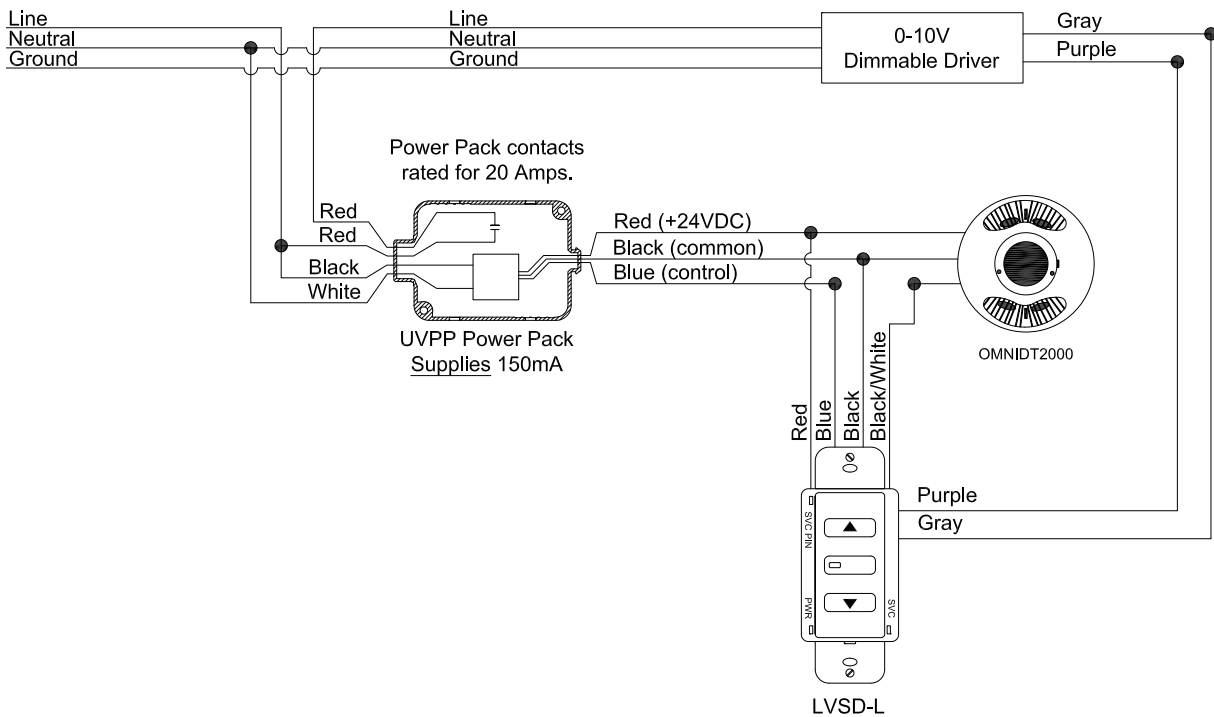
**Ordering Information**

<b>LVSD</b>	—		—		
<b>MODEL</b>		<b>SWITCH TYPE</b>		<b>COLORS</b>	
<b>LVSD</b>	Low Voltage Switch, Dimmable	<b>M-3</b>	Momentary 3 Button	<b>WH</b>	White
		<b>L-3</b>	Latching 3 Button	<b>IV</b>	Ivory
		<b>ML-4</b>	Momentary/Latching 4 Button	<b>LA</b>	Light Almond
				<b>GY</b>	Gray

Wiring Diagrams

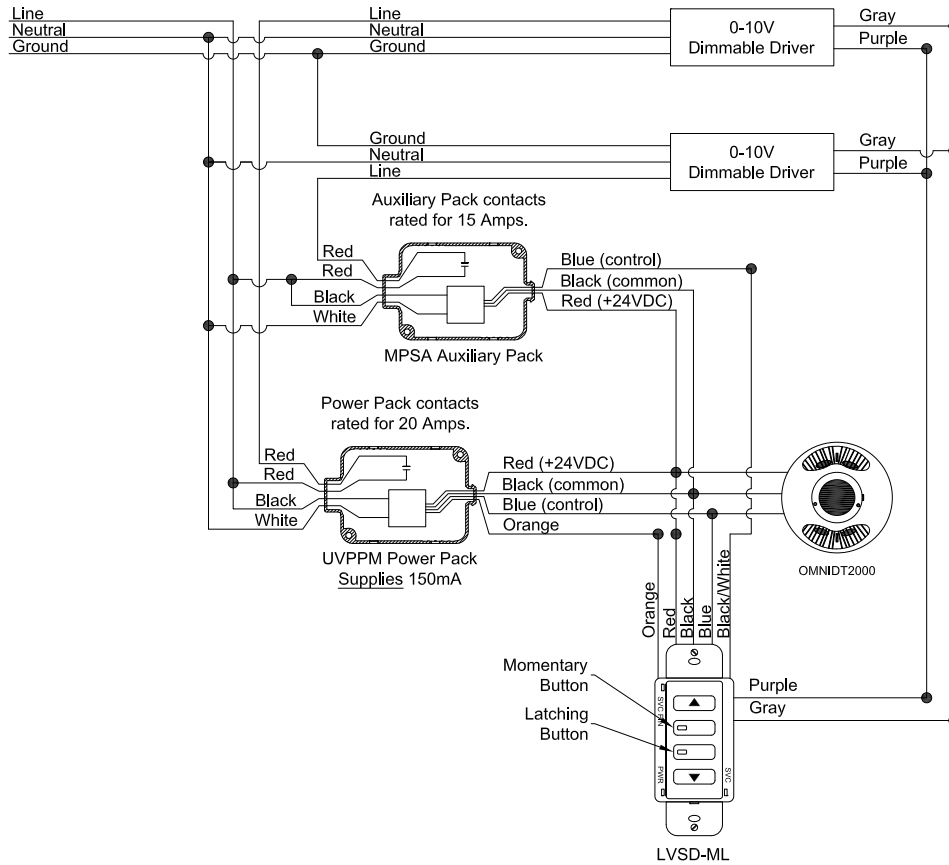


**Figure 1**  
 Low Voltage Wall Switch with 0-10V Dimming Momentary Configuration Wiring Diagram  
 (Vacancy Application)



**Figure 2**  
 Low Voltage Wall Switch 0-10V with Dimming Latching Configuration Wiring Diagram  
 (Occupancy Application)

Wiring Diagrams



**Figure 3**  
**Low Voltage Wall Switch with 0-10V Dimming Combination (Momentary and Latching)**  
**Configuration Wiring Diagram**  
**(Combination Vacancy and Occupancy Application)**

General Specifications

Electrical Ratings	Each switch: 100mA@30VDC Max Each Switch: 100mA@30VDC, to be used with HCS control packs
Configurations	Each pilot LED: 18-30VDC, internal 2.2ohm, ½ Watt resistor 3 and 4 buttons, with and without pilot lights
Operating Environment	Indoor use only
Operating Temperature	32°F to 122°F (0°C to 50°C)
Relative Humidity	10% - 90% (non-condensing)
Construction	Housing – Rugged, high-impact, injection-molded plastic Color-coded leads
Dimensions	1.8"W x 4.25"H x 1.56"D (47.75mm x 107.95mm x 39.63mm)
Weight	3.0 oz [85.0g]
Color	White, Ivory, Light Almond, Gray
Mounting	Single-gang NEMA-style switch box (average switch box)
Certifications	UL60730-1, CSA E60730-1:15
Warranty	Five-year limited