

# AMPFlasher™ ACI SERIES

## AC Current Indicators

The AMPFlasher™ ACI Series Current Indicator is a compact, inexpensive, easy-to-use LED ring which slips onto a conductor to give a flashing indication of current flow. Ideal for use in control panels, or wherever confirmation of current flow is desired. AMPFlasher™ current indicators are a cost-effective way to detect live conductors and see current flow to fans, heaters, pumps, lighting or other powered devices.



### AC Current Indicator Applications

- Quick visual status of electric motor load.
- Identify open heater circuit connection.
- Provide panel mounted indication of current draw on monitored load.
- Confirmation of operation for critical lighting or equipment.

### AC Current Indicator Features

#### Low Sensitivity Turn-on Point

- Detect currents as low as 0.5 A with a single conductor pass, eliminates the need to wrap conductors through multiple times to increase sensitivity.

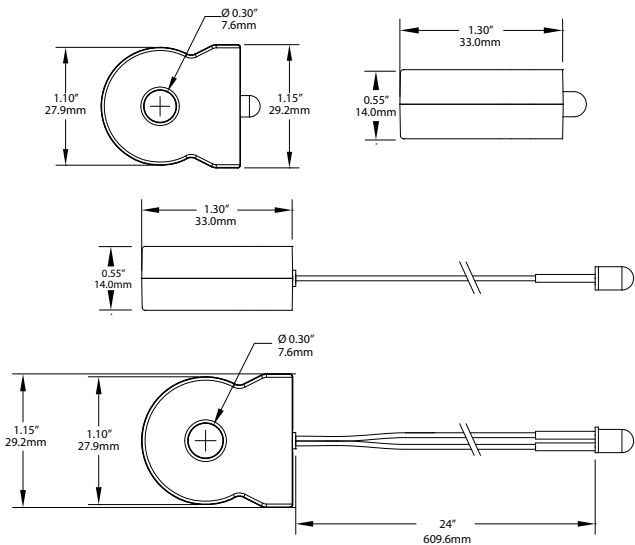
#### High Visibility Flashing LED

- Flashing LEDs perform better in daylight conditions and from multiple angles than constant on LEDs.

#### Choice of Outputs

- LED output standard, optional LED on 24" pigtails for remote indication.

### AC Current Indicator Dimensions



Note: Panel opening should be 0.267 to 0.273", panel thickness 0.32 to 0.125"

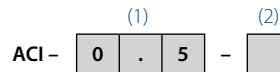
### AC Current Indicator Specifications



<b>Output/Indication</b>	• Standard: LED (flashing, red) • Optional: 24" Pigtails for Remote LED
<b>Indicating Range</b>	0.5 A–100 A
<b>LED On</b>	<500 mA (factory set)
<b>Maximum Primary Circuit Voltage</b>	300 VAC
<b>Dimensions</b>	• Overall: 1.15"W x 0.55"D x 1.30"H (29.2 mm W x 14.0 mm D x 33.0 mm H) • Aperture: 0.30" (7.6 mm) ID • Pigtails: 24" (609.6 mm)
<b>Case</b>	UL94 V-0 Flammability Rated
<b>Mounting</b>	Slides directly onto monitored conductor
<b>Environmental</b>	-4 to 122°F (-20 to 50°C) 0–95% RH, non-condensing
<b>Frequency Response</b>	50–400 Hz
<b>Listings</b>	UL/cUL, CE

### AC Current Indicator Ordering Information

Sample Model Number: ACI-0.5-L.  
Current Indicator with 0.5 A sensitivity and red flashing LED.



#### (1) Sensitivity Level

0.5	500 mA
-----	--------

#### (2) Indication/Output

L	LED (flashing, red)
P	24" Pigtails for remote LED

