

Evaluation Board for the **ADF5904** 4-Channel, 24 GHz Receiver Downconverter

FEATURES

Contains **ADF5904** 4-channel, 24 GHz receiver downconverter
Accompanying software allows control of **ADF5904** functions
from a PC

EVALUATION KIT CONTENTS

EV-ADF5904SD2Z evaluation board

ADDITIONAL EQUIPMENT

PC running Windows XP or more recent version
Analog Devices, Inc., **EVAL-SDP-CS1Z** system demonstration
platform-serial (SDP-S) board
Spectrum analyzer (optional)
Oscilloscope
5 V power supplies
USB cable

DOCUMENTS NEEDED

ADF5904 data sheet

REQUIRED SOFTWARE

Analog Devices **ADF5904** Software

GENERAL DESCRIPTION

The **EV-ADF5904SD2Z** evaluation board allows the user to evaluate the performance of the **ADF5904** 24 GHz receiver downconverter. Figure 1 shows the board, which contains the **ADF5904**, five high frequency SMA connectors for the local oscillator (LO) input, four receiver (Rx) inputs, eight SMA connectors for the baseband outputs, banana connectors for power supply, and a connector for serial interface.

The evaluation kit also contains software that is compatible with Windows® XP and later versions to allow easy programming of the device.

This evaluation board requires an **EVAL-SDP-CS1Z** SDP-S board (not supplied with the kit). The SDP-S board allows software programming of the **ADF5904** device.

Full specifications on the **ADF5904** are available in the product data sheet, which should be consulted in conjunction with this user guide when working with the evaluation board.

EVALUATION BOARD PHOTOGRAPH

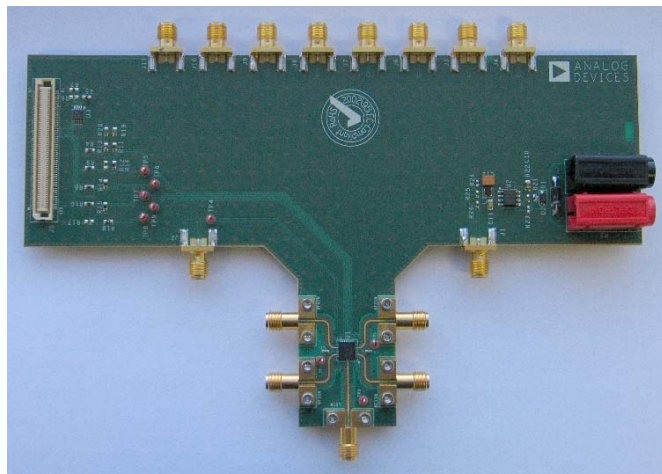


Figure 1.

TABLE OF CONTENTS

Features	1	Power Supplies.....	4
Evaluation Kit Contents.....	1	Input Signals.....	4
Additional Equipment	1	Output Signals	4
Documents Needed.....	1	Default Operation	4
Required Software	1	Evaluation Board Software.....	5
General Description	1	Evaluation and Test	7
Evaluation Board Photograph.....	1	Evaluation Board Schematics and Artwork.....	8
Revision History	2	Ordering Information.....	13
Quick Start Guide.....	3	Bill of Materials.....	13
Evaluation Board Hardware.....	4	Related Links.....	13

REVISION HISTORY

3/15—Revision 0: Initial Version

QUICK START GUIDE

Follow these steps to quickly evaluate the [ADF5904](#).

1. Connect the power supply to the [EV-ADF5904SD2Z](#):
 - a. 5 V to Banana Connector P2
 - b. GND to Banana Connector P1
2. Install the [ADF5904](#) software.
3. Connect the SDP-S motherboard to the PC and to the [EV-ADF5904SD2Z](#) evaluation board.
4. Follow the hardware driver installation procedure.
5. Run the [ADF5904](#) software.
6. Select the [ADF5904](#) device and the USB board in the **Select Device and Connection** tab of the software front panel window (see Figure 2).
7. Check that the message **SDP board connected** appears at the bottom left of the software window (see Figure 2).
8. Connect an ac-coupled RF source to LOIN SMA and connect an ac-coupled RF source to one of the RXxIN input SMAs.
9. In the **Main Controls** tab, click **Initialize**.
10. Connect the corresponding Rx baseband channel output to an oscilloscope.
11. Measure the results.

EVALUATION BOARD HARDWARE

The evaluation board requires an SDP-S motherboard to program the device. The SDP-S board is not included and must be purchased separately. The [EV-ADF5904SD2Z](#) schematics are shown in Figure 5 to Figure 9. The top layer and assembly layout are shown in Figure 10.

POWER SUPPLIES

The evaluation board is powered via one external supply, 5 V connected as described in the Quick Start Guide section.

INPUT SIGNALS

The LO input pin and the Rx input pins on the [ADF5904](#) contain a dc bias voltage; the inputs must be ac-coupled to the evaluation board.

OUTPUT SIGNALS

The baseband outputs from the [ADF5904](#) contain dc bias voltages and are available on the J3 to J11 output SMAs.

Table 1. Baseband Output Mapping

Rx Input	Baseband Outputs
RF1IN	J3, J4
RF2IN	J6, J7
RF3IN	J8, J9
RF4IN	J10, J11

DEFAULT OPERATION

All components necessary for [ADF5904](#) operation are inserted on the board.

EVALUATION BOARD SOFTWARE

The control software for the [EV-ADF5904SD2Z](#) is included in the evaluation kit on a CD. To install the software, follow the on-screen instructions.

To run the software, click the **ADF5904** file on the desktop or from the **Start** menu.

In the **Select Device and Connection** tab, select the device and the connection method, and click **Connect**.

Confirm that **Analog Devices Eval Board connected** is displayed at the bottom left of the window (see Figure 2). Otherwise, the software has no connection to the evaluation board.

Note that, when connecting the board, it takes approximately 5 sec to 10 sec for the status label to change.

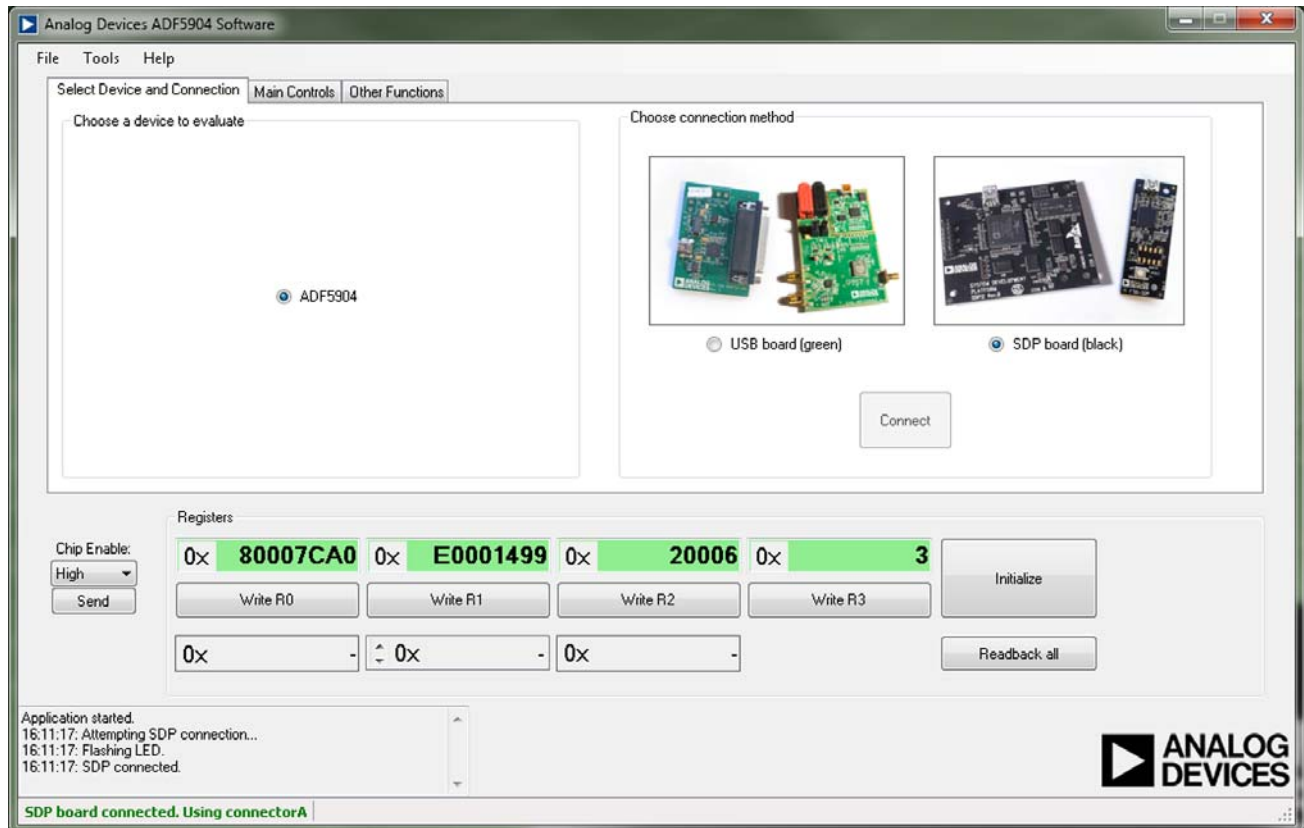


Figure 2. Software Front Panel Display—Select Device and Connection

The **Main Controls** tab controls the [ADF5904](#) device settings (see Figure 3).

This tab allows the user to select general options available for the [ADF5904](#), including power up/down control and register readback.

On initial power-up of the device, click the **Initialize** button to perform the initialization sequence as described in the [ADF5904](#) data sheet.

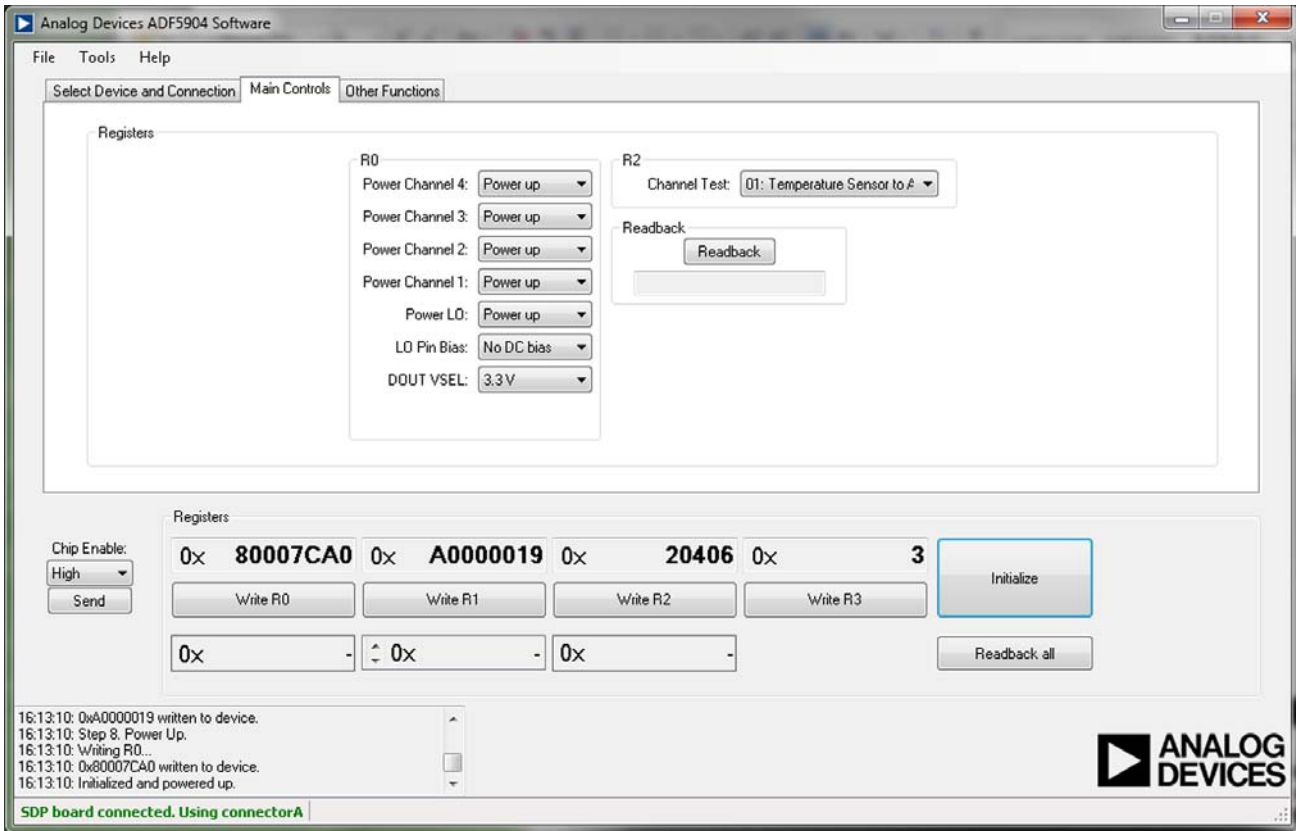


Figure 3. Software Front Panel Display—Main Controls

12895-003

EVALUATION AND TEST

To evaluate and test the performance of the [ADF5904](#), take the following steps:

1. Install the SDP-S software drivers. Connect the evaluation board to a PC using the supplied USB cable. Follow the hardware driver installation procedure that appears.
2. Connect the SDP-S connector to the [EV-ADF5904SD2Z](#).
3. Install the [ADF5904](#) software.
4. Connect an ac-coupled RF signal to LOIN SMA.
5. Connect an ac-coupled RF signal to the RX1IN input SMA.
6. Connect a 1 M Ω , ac-coupled oscilloscope to the J3 and J4 output SMAs.
7. Run the [ADF5904](#) software.
8. Select the SDP-S board and the [ADF5904](#) device in the **Select Device and Connection** tab of the software window.
9. In the **Main Controls** tab, click **Initialize** to power up the [ADF5904](#) (see Figure 3). See Figure 4 for the suggested setup.
10. Measure the baseband output signals.

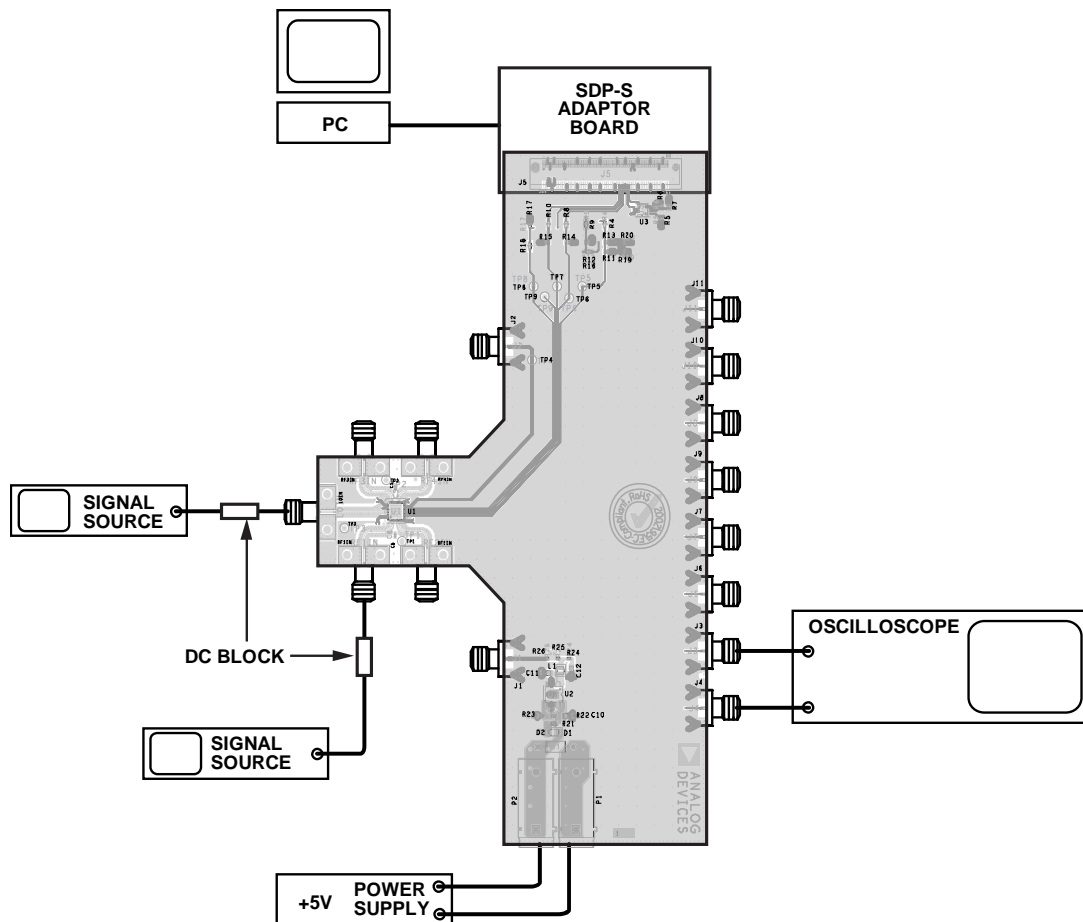


Figure 4. Typical Evaluation Setup

12895-004

EVALUATION BOARD SCHEMATICS AND ARTWORK

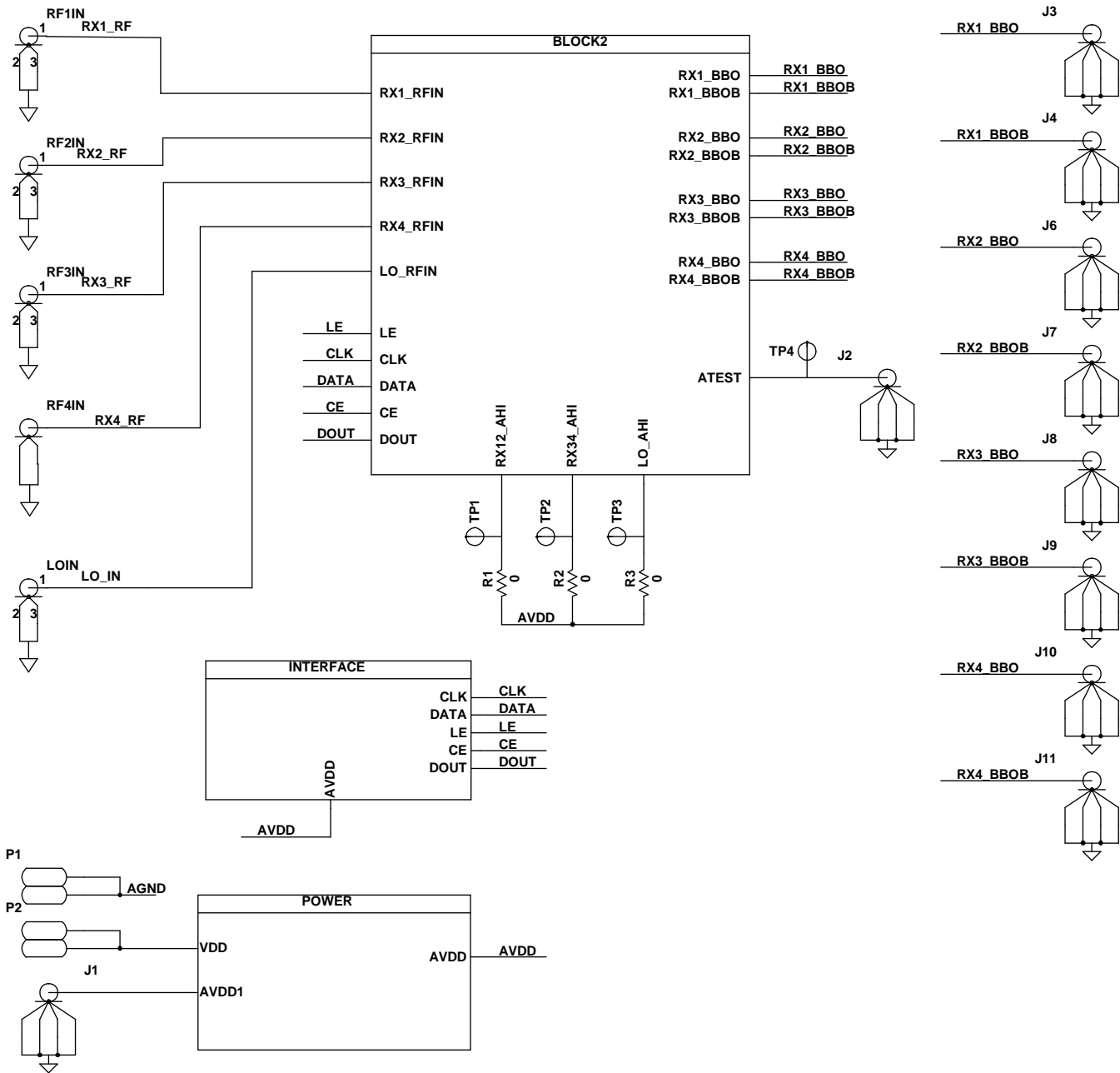


Figure 5. Evaluation Board Schematic (Page 1)

12895-005

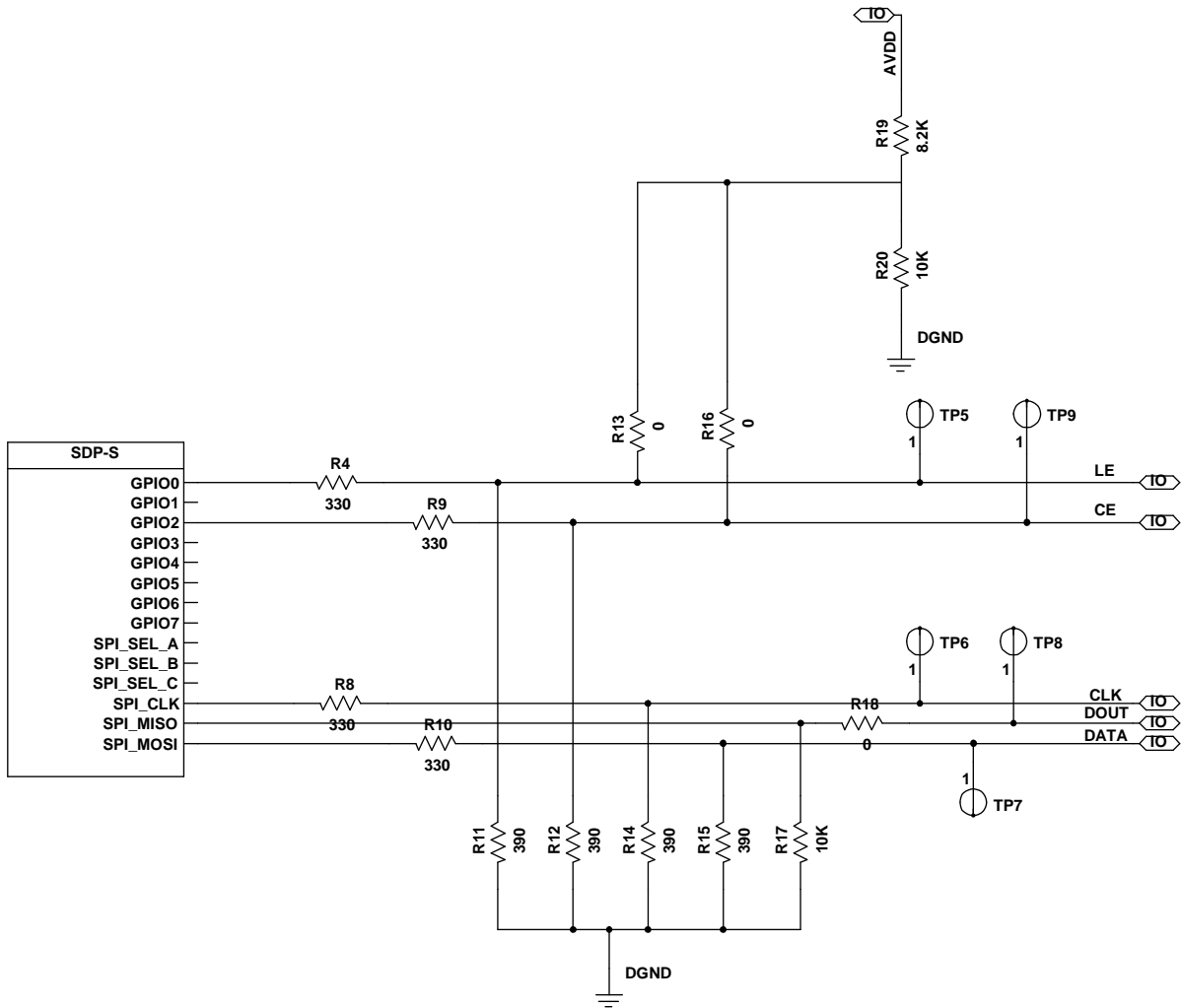
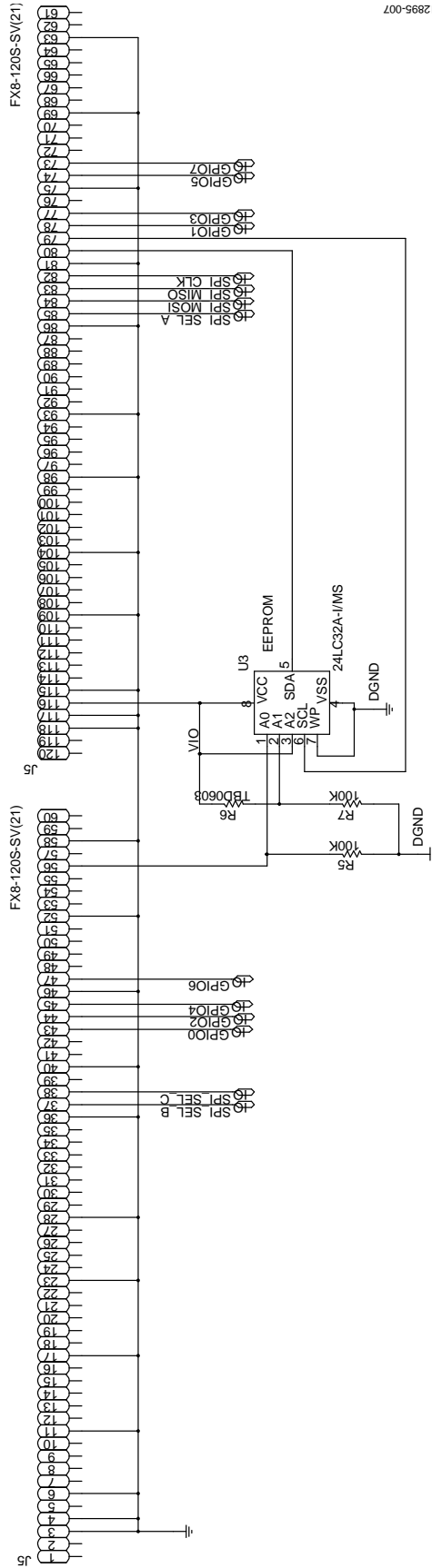


Figure 6. Evaluation Board Schematic (Page 2)

12895-006



12895-007

Figure 7. Evaluation Board Schematic (Page 3)

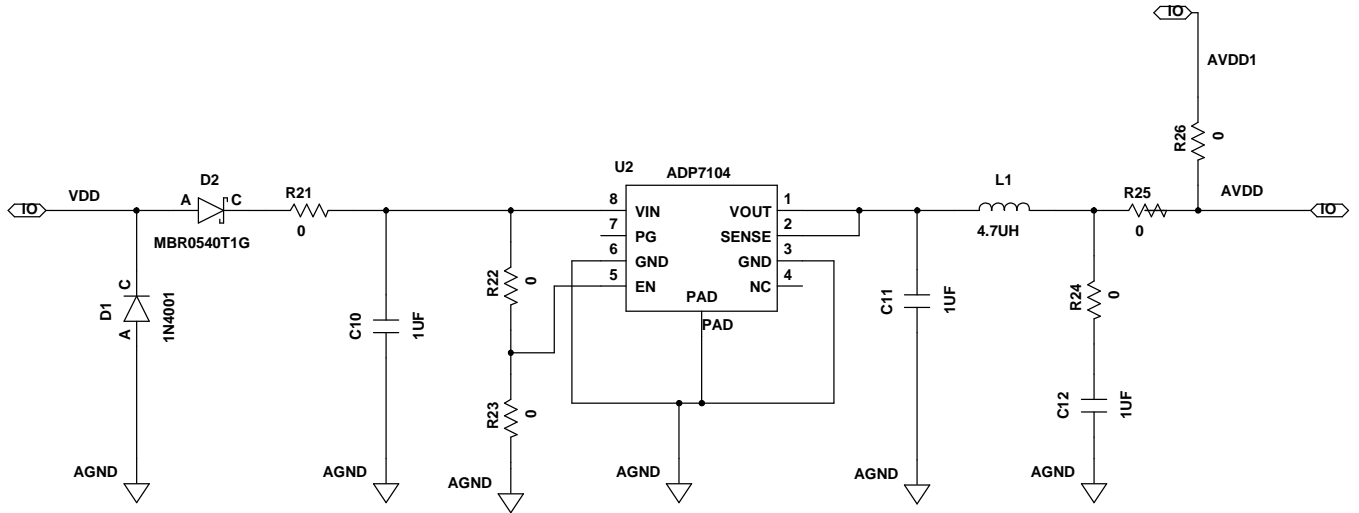


Figure 8. Evaluation Board Schematic (Page 4)

12895-008

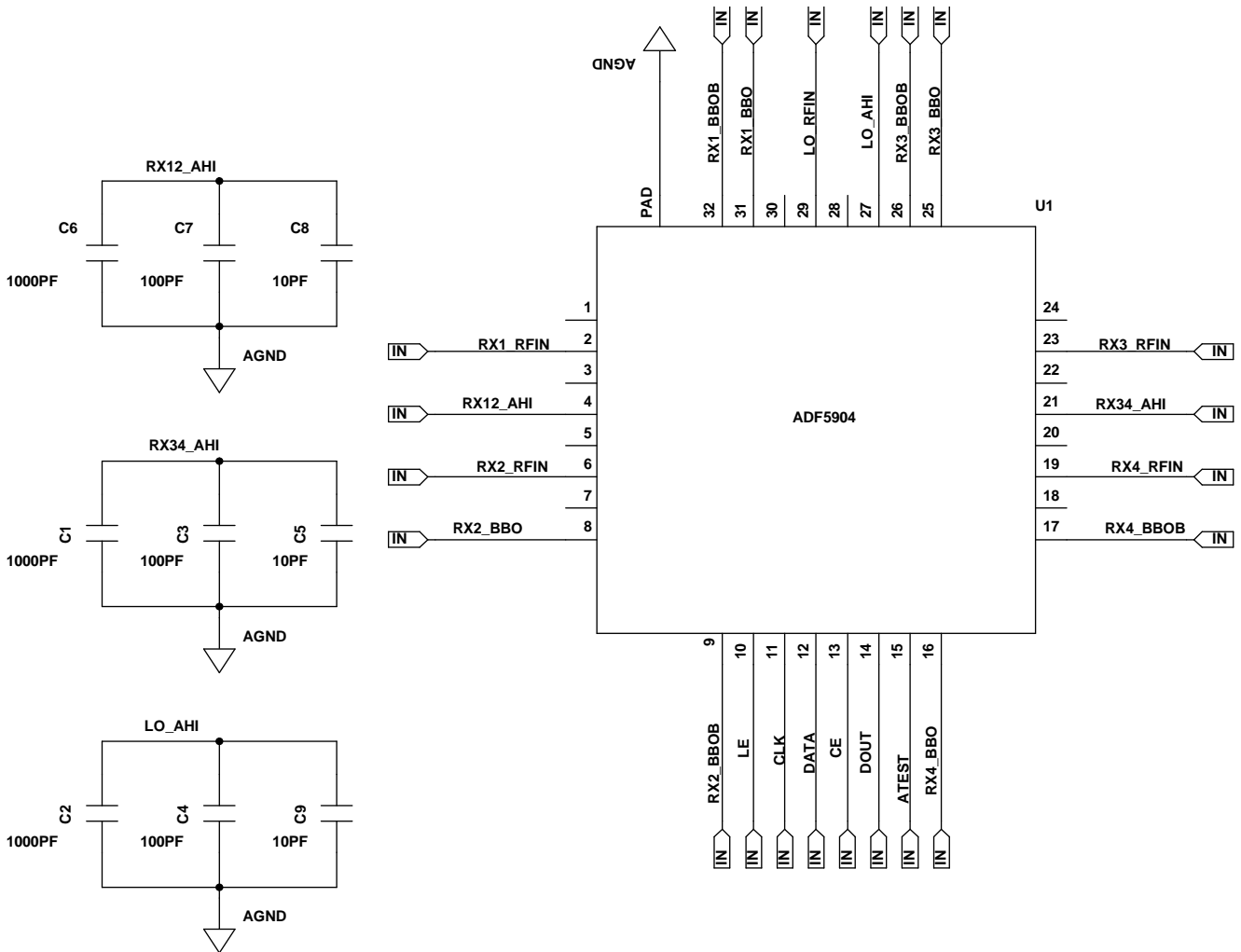
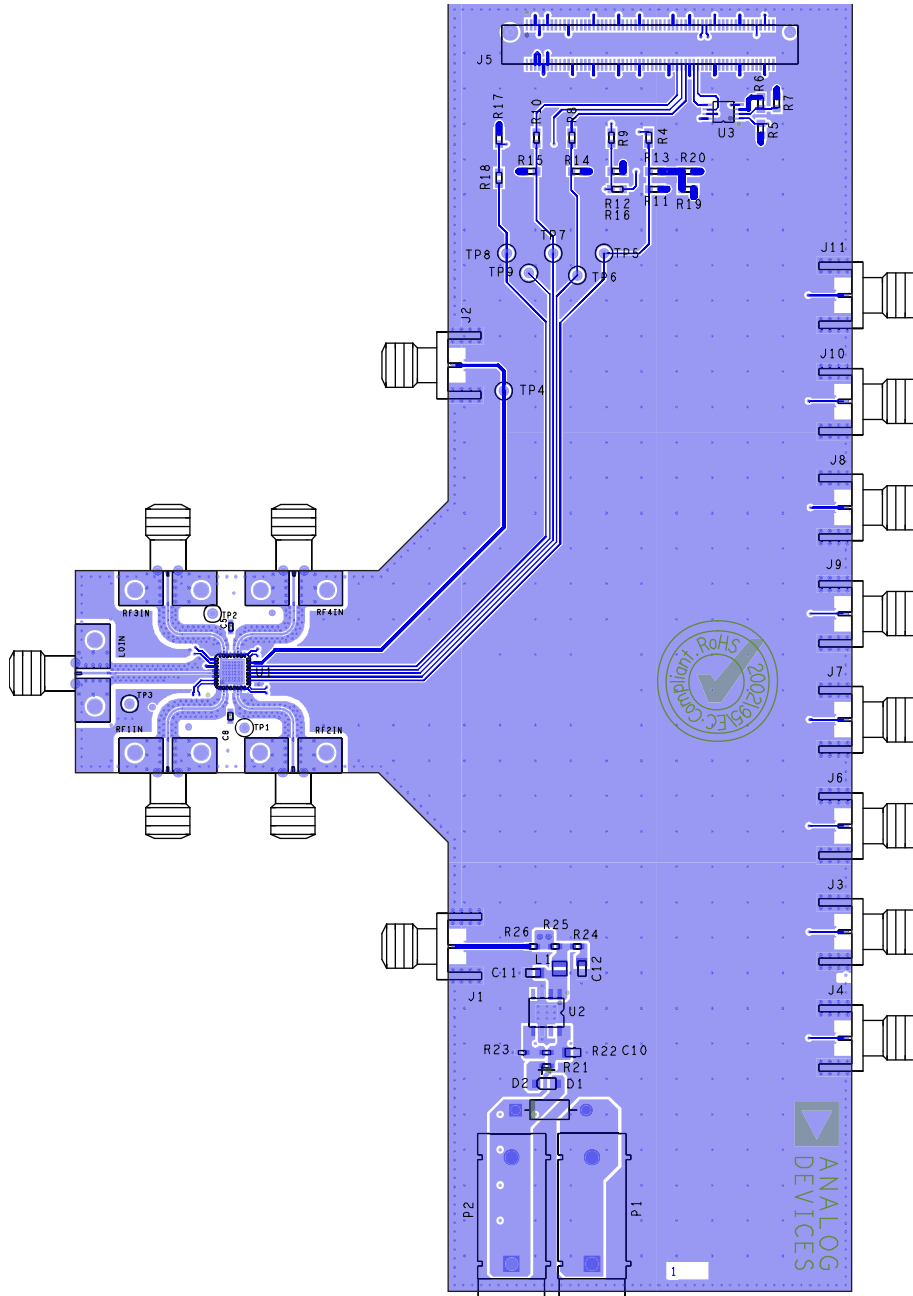


Figure 9. Evaluation Board Schematic (Page 5)

12895-009



12895-010

Figure 10. Layer 1 (Component Side)

ORDERING INFORMATION

BILL OF MATERIALS

Table 2.

Qty	Reference Designator	Description	Manufacturer	Part Number
3	C1, C2, C6	0.1 μ F capacitor	AVX	06033C104JAT2A
3	C3, C4, C7	1000 pF capacitor	Murata	GRM1555C1H102JA01
3	C5, C8, C9	10 pF capacitor	AVX	04025U100GAT2A
1	D1	Diode	Multicomp	1N4001
1	D2	Diode	On Semiconductor	MBR0520LT1G
10	J1 to J4, J6 to J11	Connector, PCB, end launch, SMA	Emerson	142-0701-851
1	J5	120-way connector, 0.6 mm pitch	Hirose	FX8-120S-SV(21)
1	L1	4.7 μ H inductor	Coilcraft	EPL2014-472ML
5	LOIN, RF1IN to RF4IN	2.92 mm Rosenberger connectors	Rosenberger	02K243-40M
1	P1	Black, 4 mm, banana socket	Deltron	571-0100
1	P2	Red, 4 mm, banana socket	Deltron	571-0500
3	R4, R8, R10	330 Ω resistor	Vishay	CRCW0603330RFKEA
4	R11, R12, R14, R15	390 Ω resistor	Multicomp	MC 0.063W 0603 390R
1	R17	10 k Ω resistor	Multicomp	MC 0.063W 0603 10K
1	R19	8.2k Ω resistor	Multicomp	MC 0.063W 0603 1% 8K2
1	R20	10 k Ω resistor	Multicomp	MC 0.063W 0603 10K
2	R5,R7	100 k Ω resistor	Yageo (Phycomp)	RC0402JR-07100KL
1	R6	Do not populate	Not applicable	Not applicable
9	TP1 to TP9	Connector, PCB, test point, red	Keystone Electronics Corp	5000
1	U2	Linear regulator, 3.3 V, 20 V, 500 mA, ultralow noise	Analog Devices	ADP7104ARDZ-3.3
1	U3	32k, I ² C, serial EEPROM, MSOP8	Microchip	24LC32A-I/MS
2	Screw1, Screw2	Screw, cheese, nylon	Allthread	119030010
2	Nut1, Nut2	Nut/washer, nylon	Duratool	1140030
1	U1	ADF5904 Rx MMIC	Analog Devices	ADF5904BCPZ
4	R21, R22, R25, R26	0 Ω resistor	Multicomp	MC 0.0625W 0402 1% 0R
1	R24	0.33 Ω resistor	Welwyn	L RCS0402-0R33FT5
1	R23	Do not populate	Not applicable	Not applicable
1	C12	100 μ F capacitor	Kemet	T520B107M006ATE040
1	C11	10 μ F capacitor	Murata	GRM21BR61A106KE19L
1	C10	1 μ F capacitor	Taiyo/Yuden	TMK107BJ105KA-T
1	R16	Do not populate	Not applicable	Not applicable
1	R9	Do not populate	Not applicable	Not applicable
5	R1, R2, R3, R13, R18	0 Ω resistor	Multicomp	MC 0.063W 0603 0R

RELATED LINKS

Resource	Description
ADF5904	Product Page, 4-Channel, 24 GHz, Receiver Downconverter
ADP7104	Product Page, 20 V, 500 mA, Low Noise, CMOS LDO

NOTES

**ESD Caution**

ESD (electrostatic discharge) sensitive device. Charged devices and circuit boards can discharge without detection. Although this product features patented or proprietary protection circuitry, damage may occur on devices subjected to high energy ESD. Therefore, proper ESD precautions should be taken to avoid performance degradation or loss of functionality.

Legal Terms and Conditions

By using the evaluation board discussed herein (together with any tools, components documentation or support materials, the "Evaluation Board"), you are agreeing to be bound by the terms and conditions set forth below ("Agreement") unless you have purchased the Evaluation Board, in which case the Analog Devices Standard Terms and Conditions of Sale shall govern. Do not use the Evaluation Board until you have read and agreed to the Agreement. Your use of the Evaluation Board shall signify your acceptance of the Agreement. This Agreement is made by and between you ("Customer") and Analog Devices, Inc. ("ADI"), with its principal place of business at One Technology Way, Norwood, MA 02062, USA. Subject to the terms and conditions of the Agreement, ADI hereby grants to Customer a free, limited, personal, temporary, non-exclusive, non-sublicensable, non-transferable license to use the Evaluation Board FOR EVALUATION PURPOSES ONLY. Customer understands and agrees that the Evaluation Board is provided for the sole and exclusive purpose referenced above, and agrees not to use the Evaluation Board for any other purpose. Furthermore, the license granted is expressly made subject to the following additional limitations: Customer shall not (i) rent, lease, display, sell, transfer, assign, sublicense, or distribute the Evaluation Board; and (ii) permit any Third Party to access the Evaluation Board. As used herein, the term "Third Party" includes any entity other than ADI, Customer, their employees, affiliates and in-house consultants. The Evaluation Board is NOT sold to Customer; all rights not expressly granted herein, including ownership of the Evaluation Board, are reserved by ADI. CONFIDENTIALITY. This Agreement and the Evaluation Board shall all be considered the confidential and proprietary information of ADI. Customer may not disclose or transfer any portion of the Evaluation Board to any other party for any reason. Upon discontinuation of use of the Evaluation Board or termination of this Agreement, Customer agrees to promptly return the Evaluation Board to ADI. ADDITIONAL RESTRICTIONS. Customer may not disassemble, decompile or reverse engineer chips on the Evaluation Board. Customer shall inform ADI of any occurred damages or any modifications or alterations it makes to the Evaluation Board, including but not limited to soldering or any other activity that affects the material content of the Evaluation Board. Modifications to the Evaluation Board must comply with applicable law, including but not limited to the RoHS Directive. TERMINATION. ADI may terminate this Agreement at any time upon giving written notice to Customer. Customer agrees to return to ADI the Evaluation Board at that time. LIMITATION OF LIABILITY. THE EVALUATION BOARD PROVIDED HEREUNDER IS PROVIDED "AS IS" AND ADI MAKES NO WARRANTIES OR REPRESENTATIONS OF ANY KIND WITH RESPECT TO IT. ADI SPECIFICALLY DISCLAIMS ANY REPRESENTATIONS, ENDORSEMENTS, GUARANTEES, OR WARRANTIES, EXPRESS OR IMPLIED, RELATED TO THE EVALUATION BOARD INCLUDING, BUT NOT LIMITED TO, THE IMPLIED WARRANTY OF MERCHANTABILITY, TITLE, FITNESS FOR A PARTICULAR PURPOSE OR NON-INFRINGEMENT OF INTELLECTUAL PROPERTY RIGHTS. IN NO EVENT WILL ADI AND ITS LICENSORS BE LIABLE FOR ANY INCIDENTAL, SPECIAL, INDIRECT, OR CONSEQUENTIAL DAMAGES RESULTING FROM CUSTOMER'S POSSESSION OR USE OF THE EVALUATION BOARD, INCLUDING BUT NOT LIMITED TO LOST PROFITS, DELAY COSTS, LABOR COSTS OR LOSS OF GOODWILL. ADI'S TOTAL LIABILITY FROM ANY AND ALL CAUSES SHALL BE LIMITED TO THE AMOUNT OF ONE HUNDRED US DOLLARS (\$100.00). EXPORT. Customer agrees that it will not directly or indirectly export the Evaluation Board to another country, and that it will comply with all applicable United States federal laws and regulations relating to exports. GOVERNING LAW. This Agreement shall be governed by and construed in accordance with the substantive laws of the Commonwealth of Massachusetts (excluding conflict of law rules). Any legal action regarding this Agreement will be heard in the state or federal courts having jurisdiction in Suffolk County, Massachusetts, and Customer hereby submits to the personal jurisdiction and venue of such courts. The United Nations Convention on Contracts for the International Sale of Goods shall not apply to this Agreement and is expressly disclaimed.

©2015 Analog Devices, Inc. All rights reserved. Trademarks and registered trademarks are the property of their respective owners.
UG12895-0-3/15(0)



www.analog.com