



IQS7222B DATASHEET

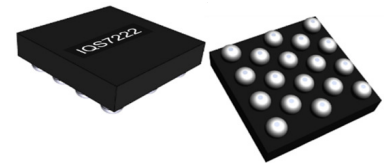
20 Channel Mutual / 8 Channel Self- Capacitive Touch and Proximity Controller with I²C communications interface, configurable GPIOs and low power options

1 Device Overview

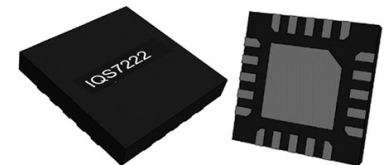
The IQS7222B ProxFusion® IC is a sensor fusion device for various multi-button applications. The sensor is fully I²C compatible and on-chip calculations enable the IC to respond effectively even in lowest power modes.

1.1 Main Features

- > Highly flexible ProxFusion® device
- > 9 (QFN) / 8 (WLCSP) external sensor pad connections
- > Configure up to 20 Mutual capacitance buttons, 18 mutual capacitance buttons with proximity wake-up function or up to 8 self-capacitance buttonsⁱ
- > Built-in basic functions:
 - Automatic tuning
 - Noise filtering
 - Debounce & hysteresis
 - Dual direction trigger indication
- > Design simplicity
 - PC Software for debugging and obtaining optimal settings and performance
 - One-time programmable settings for custom power-on IC configuration
 - Auto-run from programmed settings for simplified integration
- > Automated system power modes for optimal response vs consumption
- > I²C communication interface with IRQ/RDY (up to fast plus -1MHz)
- > Event and streaming modes
- > Customizable user interface due to programmable memory
- > Small packages
 - WLCSP18 (1.62 x 1.62 x 0.5 mm) - interleaved 0.4mm x 0.6mm ball pitch
 - QFN20 (3 x 3 x 0.5 mm) - 0.4mm pitch



WLCSP18 & QFN20 package Representation only



1.2 Applications

- > Remote Control User Interface
- > Home Automation Device User Interface
- > Wireless Speaker Controls

ⁱWLCSP18 package has 1 less external pad connection and the maximum amount of buttons that can be configured is 18 buttons or 16 buttons with a wake-up function



1.3 Block Diagram

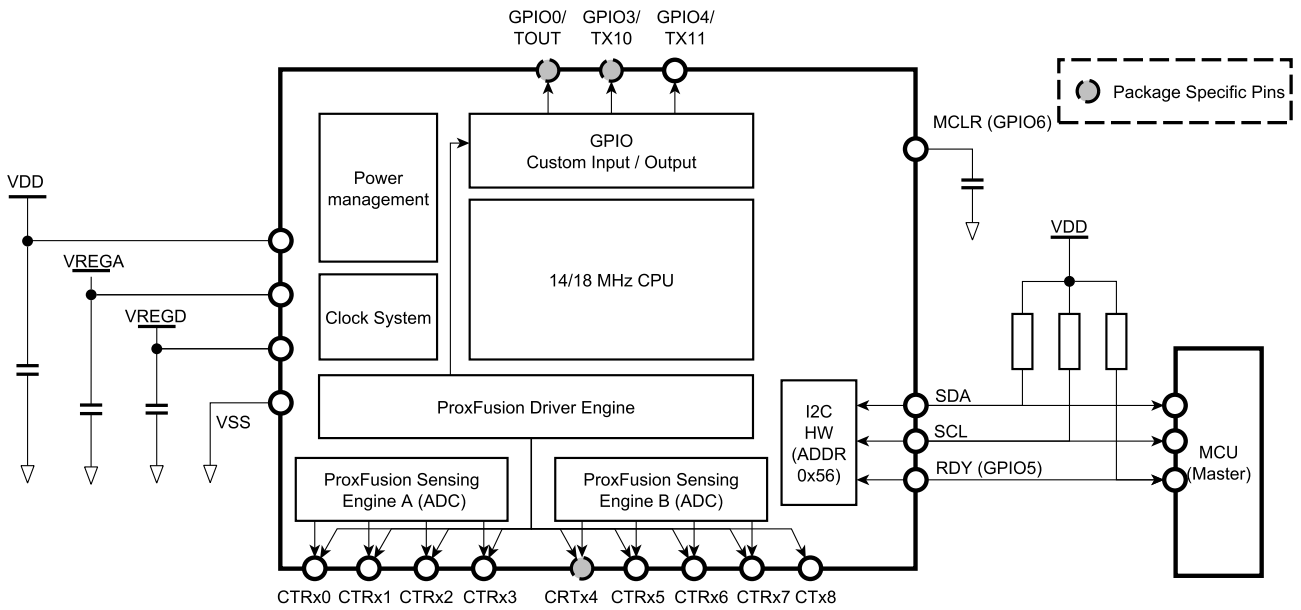


Figure 1.1: Functional Block Diagramⁱ

ⁱWLCSP18 packages do not have a CRx4 and combines GPIO and GPIO3



Contents

1	Device Overview	1
1.1	Main Features	1
1.2	Applications	1
1.3	Block Diagram	2
2	Hardware Connection	5
2.1	WLCSP18 Pin Diagrams	5
2.2	QFN20 Pin Diagram	5
2.3	Pin Attributes	6
2.4	Signal Descriptions	7
2.5	Reference Schematic	8
3	Electrical Characteristics	10
3.1	Absolute Maximum Ratings	10
3.2	Recommended Operating Conditions	10
3.3	ESD Rating	11
3.4	Current Consumption	11
4	Timing and Switching Characteristics	12
4.1	Reset Levels	12
4.2	MCLR Pin Levels and Characteristics	12
4.3	Miscellaneous Timings	12
4.4	Digital I/O Characteristics	13
4.5	I ² C Characteristics	13
5	ProxFusion[®] Module	14
5.1	Capacitive Channels	14
5.2	Low Power Options	14
5.3	Count Value	14
5.3.1	Max Count	14
5.4	Reference Value/Long-Term Average (LTA)	14
5.4.1	Reseed	14
5.5	Automatic Tuning Implementation (ATI)	15
5.6	Automatic Re-ATI	15
5.6.1	Description	15
5.6.2	Conditions for Re-ATI to activate	15
5.6.3	ATI Error	15
6	Sensing Modes	16
6.1	Mode Timeout	16
6.2	Count Filter	16
6.2.1	IIR Filter	16
7	Hardware Settings	17
7.1	Charge Transfer Frequency	17
7.2	Reset	17
7.2.1	Reset Indication	17
7.2.2	Software Reset	17
8	Additional Features	18



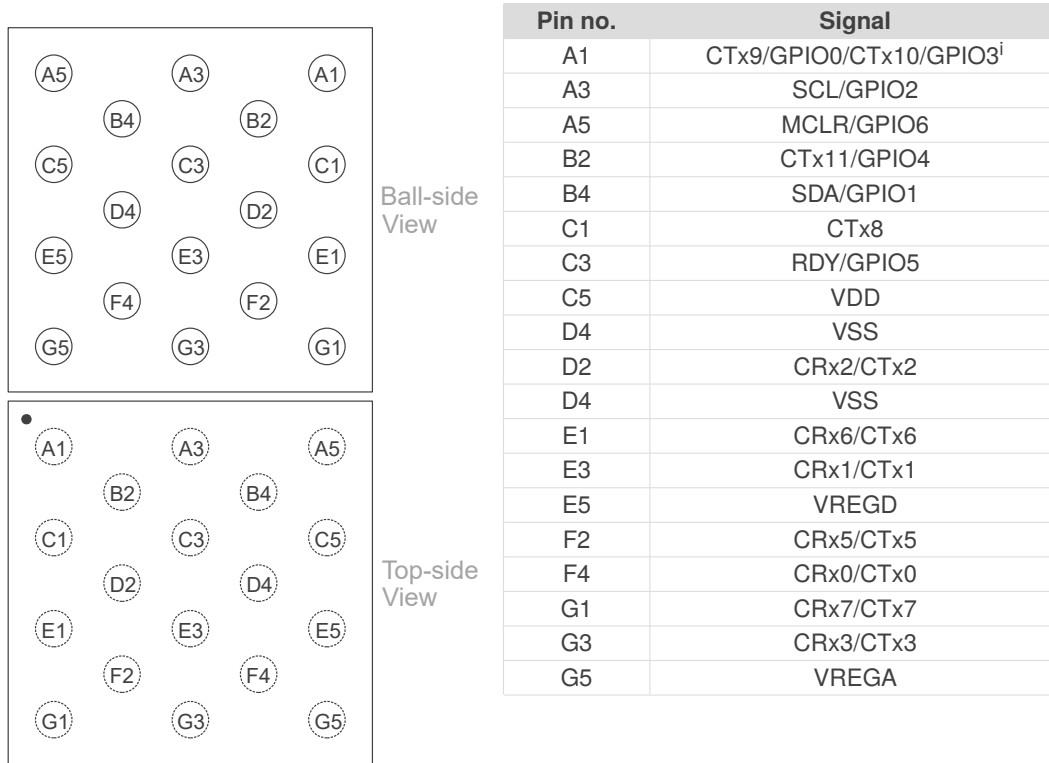
8.1	Setup Defaults	18
8.2	Automated Start-up	18
8.3	Watchdog Timer (WDT)	18
8.4	RF Immunity	18
9	I²C Interface	19
9.1	I ² C Module Specification	19
9.2	I ² C Address	19
9.3	I ³ C Compatibility	19
9.4	Memory Map Addressing	19
9.4.1	8-bit Address	19
9.4.2	Extended 16-bit Address	19
9.5	Data	20
9.6	I ² C Timeout	21
9.7	Terminate Communication	21
9.8	RDY/IRQ	21
9.9	Invalid Communications Return	21
9.10	I ² C Interface	21
9.10.1	I ² C Streaming	21
9.10.2	I ² C Event Mode	22
9.10.3	I ² C Stream in Touch Mode	22
9.11	Event Mode Communication	22
9.11.1	Events	22
9.11.2	Force Communication	22
9.12	Program Flow Diagram	23
10	I²C Memory Map - Register Descriptions	24
11	Implementation and Layout	29
11.1	Layout Fundamentals	29
11.1.1	Power Supply Decoupling	29
11.1.2	VREG	29
11.1.3	WLCSP Light Sensitivity	30
12	Ordering Information	31
12.1	Ordering Code	31
12.2	Top Marking	31
12.2.1	WLCSP18 Package	31
12.2.2	QFN20 Package Marking Option 1	31
12.2.3	QFN20 Package Marking Option 2	32
13	Package Specification	33
13.1	Package Outline Description – QFN20	33
13.2	Package Outline Description – WLCSP18	34
13.3	Tape and Reel Specifications	35
13.4	Moisture Sensitivity Levels	36
13.5	Reflow Specifications	36
A	Memory Map Descriptions	37
B	Revision History	46
C	Known Issues	46



2 Hardware Connection

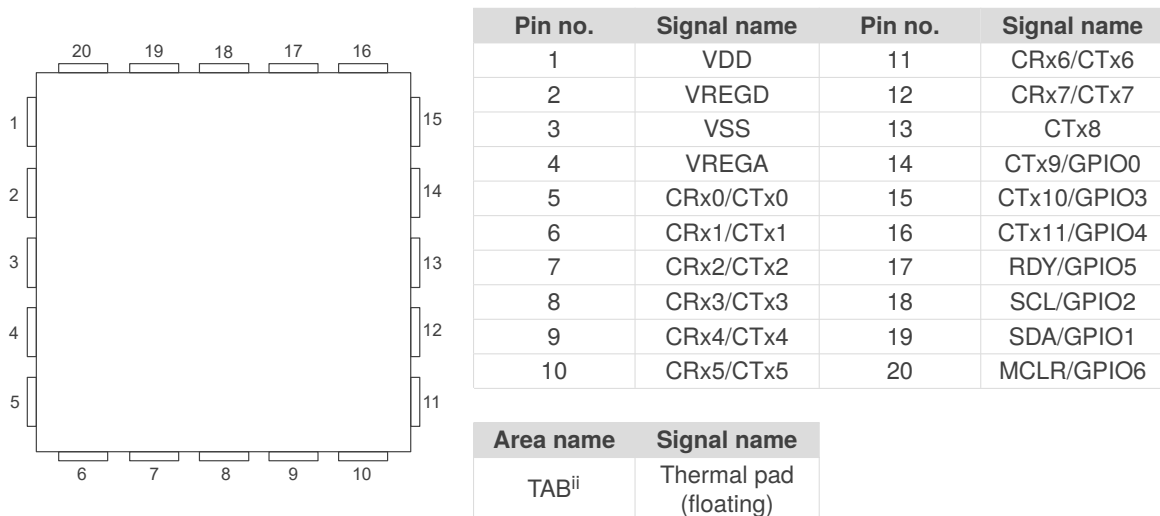
2.1 WLCSP18 Pin Diagrams

Table 2.1: 18-pin WLCSP18 Package



2.2 QFN20 Pin Diagram

Table 2.2: 20-pin QFN Package (Top View)





2.3 Pin Attributes

Table 2.3: Pin Attributes

Pin no.		Signal name	Signal type	Buffer type	Power source
WLCSP18	QFN20				
C5	1	VDD	Power	Power	N/A
E5	2	VREGD	Power	Power	N/A
D4	3	VSS	Power	Power	N/A
G5	4	VREGA	Power	Power	N/A
F4	5	CRx0/CTx0	Analog		VREGA
E3	6	CRx1/CTx1	Analog		VREGA
D2	7	CRx2/CTx2	Analog		VREGA
G3	8	CRx3/CTx3	Analog		VREGA
-	9	CRx4/CTx4	Analog		VREGA
F2	10	CRx5/CTx5	Analog		VREGA
E1	11	CRx6/CTx6	Analog		VREGA
G1	12	CRx7/CTx7	Analog		VREGA
C1	13	CTx8	Analog		VREGA
A1	14	CTx9/GPIO0	Prox/Digital		VREGA/VDD
B4	19	SDA/GPIO1	Digital		VDD
A3	18	SCL/GPIO2	Digital		VDD
A1	15	CTx10/GPIO3	Prox/Digital		VREGA/VDD
B2	16	CTx11/GPIO4	Prox/Digital		VREGA/VDD
C3	17	RDY/GPIO5	Digital		VDD
A5	20	MCLR/GPIO6	Digital		VDD

ⁱPlease note that CTx9/GPIO0 and CTx10/GPIO3 are connected together in the WLCSP18 package

ⁱⁱIt is recommended to connect the thermal pad (TAB) to VSS.



2.4 Signal Descriptions

Table 2.4: Signal Descriptions

Function	Signal name	Pin no.		Pin type ⁱⁱⁱ	Description
		WLCSP18	QFN20		
ProxFusion®	CRx0/CTx0	F4	5	IO	ProxFusion® channel
	CRx1/CTx1	E3	6	IO	
	CRx2/CTx2	D2	7	IO	
	CRx3/CTx3	G3	8	IO	
	CRx4/CTx4	-	9	IO	
	CRx5/CTx5	F2	10	IO	
	CRx6/CTx6	E1	11	IO	
	CRx7/CTx7	G1	12	IO	
	CTx8	C1	13	O	CTx8 pad
	CTx9/GPIO0	A1	14	IO	CTx9/GPIO0 pad
	CTx10/GPIO3	A1	15	IO	CTx10/GPIO3 pad
CTx11/GPIO4	B2	16	IO	CTx11/GPIO4 pad	
GPIO	RDY/GPIO5	C3	17	O	RDY/GPIO5 pad
	MCLR/GPIO6	A5	20	IO	Active pull-up, 200k resistor to VDD. Pulled low during POR, and MCLR function enabled by default. VPP input for OTP.
I ² C	SDA/GPIO1	B4	19	IO	I ² C Data
	SCL/GPIO2	A3	18	IO	I ² C clock
Power	VDD	C5	1	P	Power supply input voltage
	VREGD	E5	2	P	Internal regulated supply output for digital domain
	VSS	D4	3	P	Analog/Digital Ground
	VREGA	G5	4	P	Internal regulated supply output for analog domain

ⁱⁱⁱPin Types: I = Input, O = Output, IO = Input or Output, P = Power



2.5 Reference Schematic

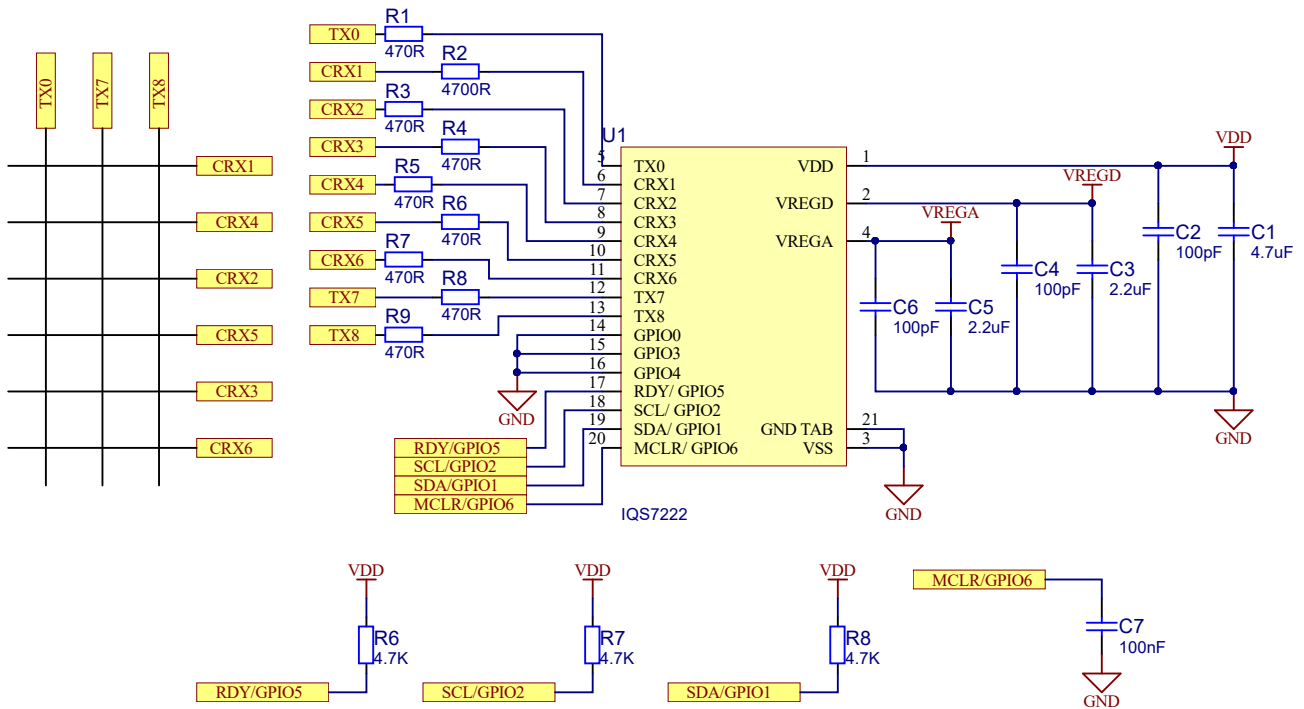


Figure 2.1: 18 Button Mutual Capacitance Reference Schematic

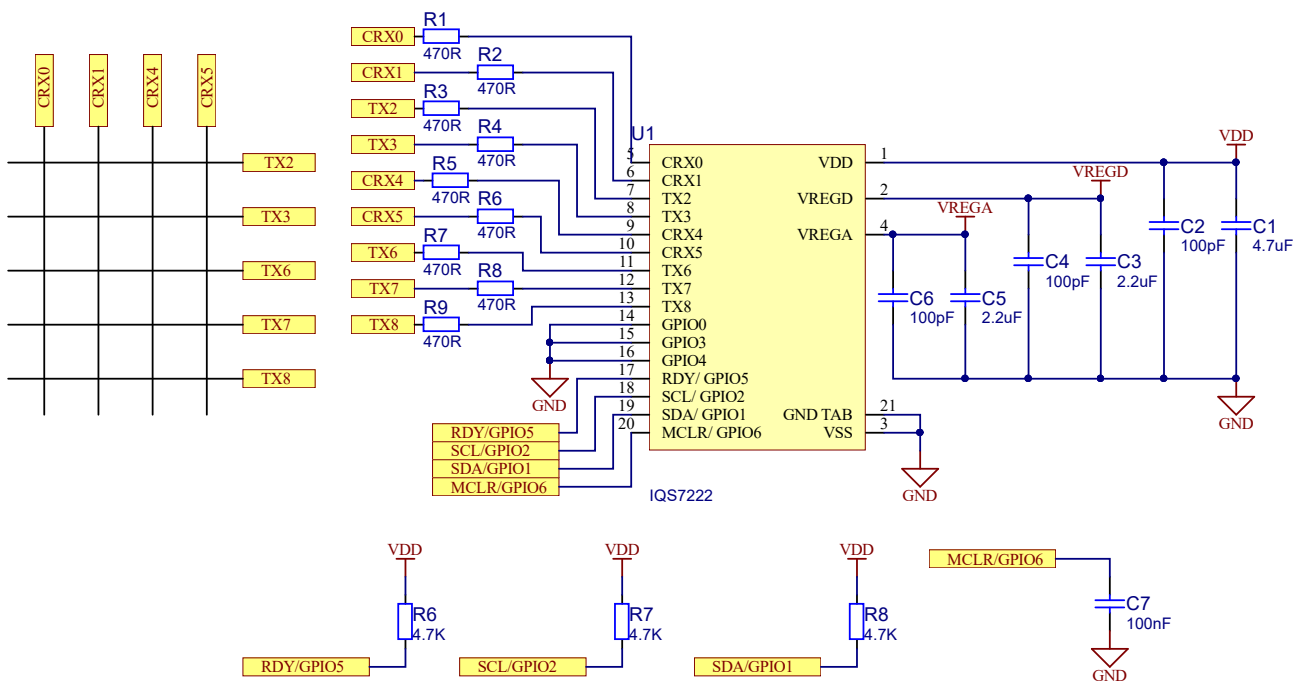


Figure 2.2: 20 Button Mutual Capacitance Reference Schematic

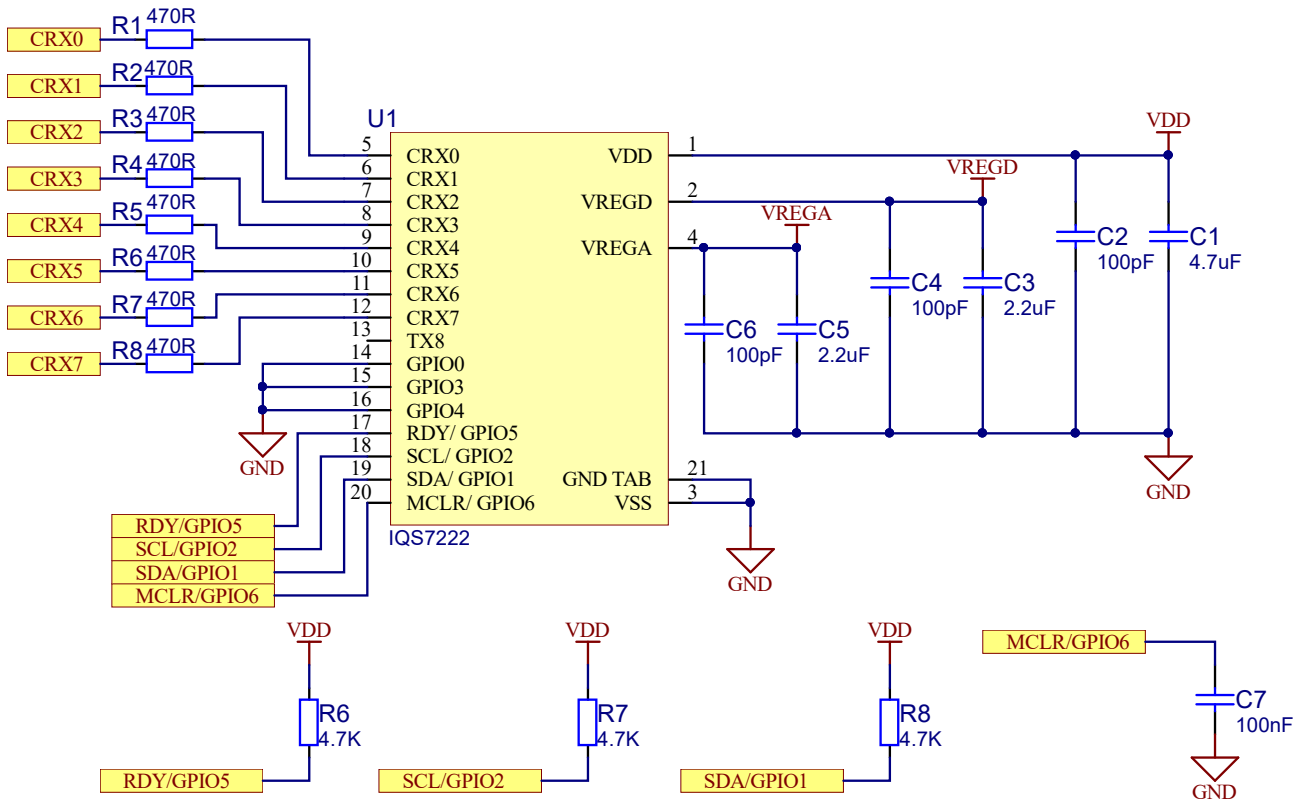


Figure 2.3: 8 Button Self Capacitance Reference Schematic



3 Electrical Characteristics

3.1 Absolute Maximum Ratings

Table 3.1: Absolute Maximum Ratings

	Min	Max	Unit
Voltage applied at VDD pin to VSS	1.71	3.5	V
Voltage applied to any ProxFusion® pin	-0.3	VREGA	V
Voltage applied to any other pin (referenced to VSS)	-0.3	VDD + 0.3 (3.5 V max)	V
Storage temperature, T _{stg}	-40	85	°C

3.2 Recommended Operating Conditions

Table 3.2: Recommended Operating Conditions

Recommended operating conditions		Min	Nom	Max	Unit
VDD	Supply voltage applied at VDD pin:				
	F _{OSC} = 14 MHz	1.71		3.5	V
	F _{OSC} = 18 MHz	2.2		3.5	
VREGA	Internal regulated supply output for analog domain:				
	F _{OSC} = 14 MHz	1.49	1.53	1.57	V
	F _{OSC} = 18 MHz	1.49	1.53	1.57	
VREGD	Internal regulated supply output for digital domain:				
	F _{OSC} = 14 MHz	1.56	1.59	1.64	V
	F _{OSC} = 18 MHz	1.75	1.8	1.85	
VSS	Supply voltage applied at VSS pin		0		V
T _A	Operating free-air temperature	-40	25	85	°C
C _{VDD}	Recommended capacitor at VDD	2×C _{VREGA}	3×C _{VREGA}		μF
C _{VREGA}	Recommended external buffer capacitor at VREGA, ESR ≤ 200 mΩ	2	4.7	10	μF
C _{VREGD}	Recommended external buffer capacitor at VREGD, ESR ≤ 200 mΩ	2	4.7	10	μF
C _{XSELF-VSS}	Maximum capacitance between ground and all external electrodes on all ProxFusion® blocks (self-capacitance mode)	1	-	400 ⁱ	pF
C _{mCTx-CRx}	Capacitance between Receiving and Transmitting electrodes on all ProxFusion® blocks (mutual-cap mode)	0.2	-	9 ^j	pF
C _{pCRx-VSS-1M}	Maximum capacitance between ground and all external electrodes on all ProxFusion® blocks (mutual-capacitance mode @ f _{xfer} = 1 MHz)			100 ⁱ	pF
C _{pCRx-VSS-4M}	Maximum capacitance between ground and all external electrodes on all ProxFusion® blocks (mutual-capacitance mode @ f _{xfer} = 4 MHz sensing)			25 ⁱ	pF
$\frac{C_{pCRx-VSS}}{C_{mCTx-CRx}}$	Capacitance ratio for optimal SNR in mutual capacitance mode ⁱⁱ	10		20	n/a
RC _{XCRx/CTx}	Series (in-line) resistance of all mutual capacitance pins (Tx & Rx pins) in mutual capacitance mode	0 ⁱⁱⁱ	0.47	10 ^{iv}	kΩ
RC _{XSELF}	Series (in-line) resistance of all self capacitance pins in self capacitance mode	0 ⁱⁱⁱ	0.47	10 ^{iv}	kΩ



3.3 ESD Rating

Table 3.3: ESD Rating

		Value	Unit
$V_{(ESD)}$ Electrostatic discharge	Human-body model (HBM), per ANSI/ESDA/JEDEC JS-001 ^v	±4000	V

3.4 Current Consumption

Projected Mode Setup: Target: CH0 & CH10 = 800, all other channels = 512

Self-capacitive Mode Setup: Target = 512, $f_{xfer} = 500\text{kHz}$

Interface Selection: Event mode

Power mode	Active channels	Report rate (Sampling rate) [ms]	Current [μA]
Normal Power	Mutual Capacitance (20 channels)	10	720
	Self-capacitive (8 channels)	10	505
Low Power	Mutual Capacitance (20 channels)	50	147
	Self-capacitive (8 channels)	50	101
Ultra-low Power	Wake-up proximity - Distributed mutual channel	100	14.3
	Wake-up proximity - Distributed self channel	100	8.7
	Wake-up proximity - Distributed mutual channel	160	9.8
	Wake-up proximity - Distributed self channel	160	7

ⁱ $RC_x = 0\Omega$

ⁱⁱPlease note that the the maximum values for C_p and C_m are subject to this ratio

ⁱⁱⁱNominal series resistance of 470Ω is recommended to prevent received and emitted EMI effects. Typical resistance also adds additional ESD protection

^{iv}Series resistance limit is a function of f_{xfer} and the circuit time constant, RC . $R_{max} \times C_{max} = \frac{1}{(6 \times f_{xfer})}$ where C is the pin capacitance to VSS.

^vJEDEC document JEP155 states that 500-V HBM allows safe manufacturing with a standard ESD control process. Pins listed as $\pm 4000\text{ V}$ may actually have higher performance.

4 Timing and Switching Characteristics

4.1 Reset Levels

Table 4.1: Reset Levels

Parameter		Min	Typ	Max	Unit
V _{VDD}	Power-up/down level (Reset trigger) – slope > 100 V/s	1.040	1.353	1.568	V
V _{VREGD}	Power-up/down level (Reset trigger) – slope > 100 V/s	0.945	1.122	1.304	V

4.2 MCLR Pin Levels and Characteristics

Table 4.2: MCLR Pin Characteristics

Parameter		Conditions	Min	Typ	Max	Unit
V _{IL(MCLR)}	MCLR Input low level voltage	VDD = 3.3 V	VSS – 0.3	-	1.05	V
		VDD = 1.7 V			0.75	
V _{IH(MCLR)}	MCLR Input high level voltage	VDD = 3.3 V	2.25	-	VDD + 0.3	V
		VDD = 1.7 V	1.05			
R _{PU(MCLR)}	MCLR pull-up equivalent resistor		180	210	240	kΩ
t _{PULSE(MCLR)}	MCLR input pulse width – no trigger	VDD = 3.3 V	-	-	15	ns
		VDD = 1.7 V			10	
t _{TRIG(MCLR)}	MCLR input pulse width – ensure trigger		250	-	-	ns

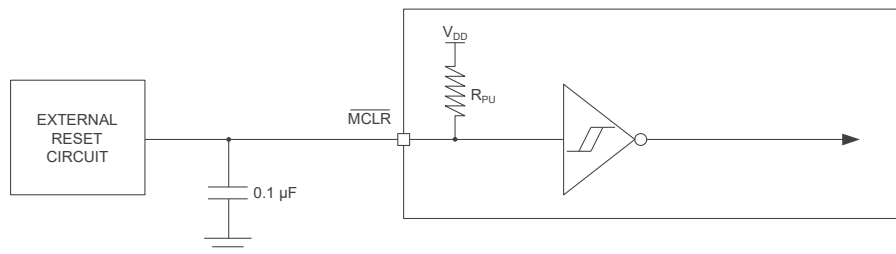


Figure 4.1: MCLR Pin Diagram

4.3 Miscellaneous Timings

Table 4.3: Miscellaneous Timings

Parameter		Min	Typ	Max	Unit
f _{xfer}	Charge transfer frequency (derived from f _{OSC})	42	500 – 1500	4500	kHz
f _{OSC}	Master CLK frequency tolerance 14 MHz	13.23	14	14.77	MHz
f _{OSC}	Master CLK frequency tolerance 18 MHz	17.1	18	19.54	MHz



4.4 Digital I/O Characteristics

Table 4.4: Digital I/O Characteristics

Parameter	Test Conditions	Min	Typ	Max	Unit
V _{OL}	SDA & SCL Output low voltage	I _{sink} = 20 mA		0.3	V
V _{OL}	GPIO ⁱ Output low voltage	I _{sink} = 10 mA		0.15	V
V _{OH}	Output high voltage	I _{source} = 20 mA	VDD - 0.2		V
V _{IL}	Input low voltage		VDD × 0.3		V
V _{IH}	Input high voltage			VDD × 0.7	V
C _{b_max}	SDA & SCL maximum bus capacitance			550	pF

4.5 I²C Characteristics

Table 4.5: I²C Characteristics

Parameter	VDD	Min	Typ	Max	Unit
f _{SCL}	1.8 V, 3.3 V			1000	kHz
t _{HD,STA}	1.8 V, 3.3 V	0.26			μs
t _{SU,STA}	1.8 V, 3.3 V	0.26			μs
t _{HD,DAT}	1.8 V, 3.3 V	0			ns
t _{SU,DAT}	1.8 V, 3.3 V	50			ns
t _{SU,STO}	1.8 V, 3.3 V	0.26			μs
t _{SP}	1.8 V, 3.3 V	0		50	ns

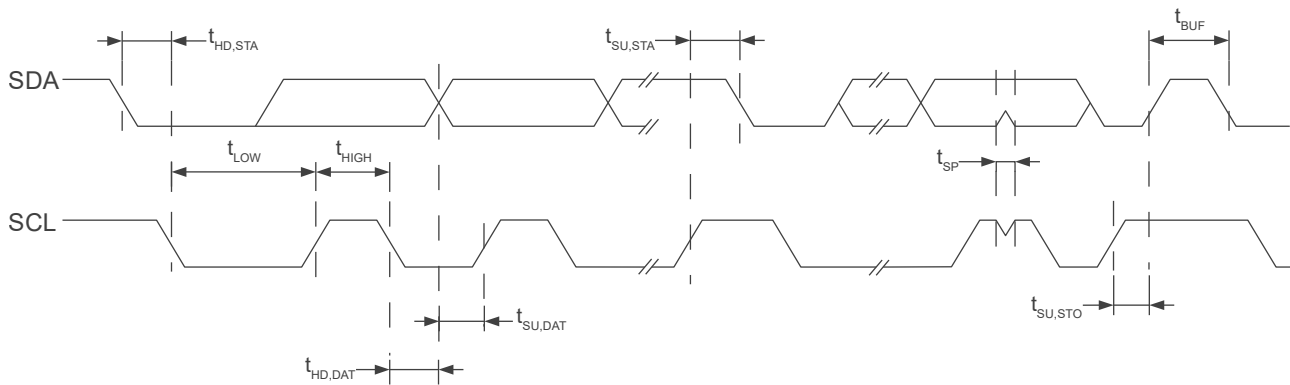


Figure 4.2: I²C Mode Timing Diagram

ⁱRefers to CTx9, CTx10, CTx11, and RDY pins



5 ProxFusion® Module

The IQS7222B contains dual ProxFusion® modules that uses patented technology to measure and process the capacitive sensor data. Two modules ensure a rapid response from multi-button implementations. The multiple touch & proximity outputs are the primary output from the sensor.

5.1 Capacitive Channels

Mutual capacitance and Self capacitance designs are possible with the IQS7222B.

- > Sensor pad design overview: AZD008
- > Mutual capacitance (also known as Projected capacitance) button layout guide: AZD036

5.2 Low Power Options

The IQS7222B offers 3 power modes:

- > Normal power mode (NP)
 - Flexible key scan rate
- > Lower power mode (LP)
 - Flexible key scan rate
 - Typically set to a slower rate than NP
- > Ultra-low power mode (ULP)
 - Optimized firmware setup
 - Intended for rapid wake-up on a single channel (e.g. distributed proximity event), enabling immediate button response for an approaching user
 - Other sensor channels are typically sampled at a slower rate in order to optimize power consumption

5.3 Count Value

The capacitive sensing measurement returns a *count value* for each channel. Count values are inversely proportional to capacitance, and all outputs are derived from this.

5.3.1 Max Count

Each channel is limited to having a count value smaller than the configurable limit (*Maximum counts*). If the ATI setting or hardware causes measured count values higher than this, the conversion will be stopped, and the max value will be read for that relevant count value.

5.4 Reference Value/Long-Term Average (LTA)

User interaction is detected by comparing the measured count values to some reference value. The reference value/LTA of a sensor is slowly updated to track changes in the environment and is not updated during user interaction.

5.4.1 Reseed

Since the *Reference* for a channel is critical for the device to operate correctly, there could be known events or situations which would call for a manual reseed. A reseed takes the latest measured counts, and seeds the *reference/LTA* with this value, therefore updating the value to the latest environment. A reseed command can be given by setting the corresponding bit (Register 0xD0, bit3).



5.5 Automatic Tuning Implementation (ATI)

The ATI is a sophisticated technology implemented in the new ProxFusion® devices to allow optimal performance of the devices for a wide range of sensing electrode capacitances, without modification to external components. The ATI settings allow tuning of various parameters. For a detailed description of ATI, please contact Azoteq.

5.6 Automatic Re-ATI

5.6.1 Description

Re-ATI will be triggered if certain conditions are met. One of the most important features of the Re-ATI is that it allows easy and fast recovery from an incorrect ATI, such as when performing ATI during user interaction with the sensor. This could cause the wrong ATI Compensation to be configured, since the user affects the capacitance of the sensor. A Re-ATI would correct this. It is recommended to always have this enabled. When a Re-ATI is performed on the IQS7222B, a status bit will set momentarily to indicate that this has occurred.

5.6.2 Conditions for Re-ATI to activate

A Re-ATI is performed when the reference of a channel drifts outside of the acceptable range around the ATI Target. The boundaries where Re-ATI occurs for the channels are adjustable in registers listed in Table A.14.

$$\text{Re-ATI Boundary}_{\text{default}} = \text{ATI target} \pm \left(\frac{1}{8}\text{ATI Target}\right)$$

For example, assume that the ATI target is configured to 800 and that the and the default boundary value is $1/8 \cdot 800 = 100$. If Re-ATI is enabled, the ATI algorithm will be repeated under the following conditions:

$$\text{Reference} > 900 \text{ or } \text{Reference} < 700$$

The ATI algorithm executes in a short time, so goes unnoticed by the user.

5.6.3 ATI Error

After the ATI algorithm is performed, a check is done to see if there was any error with the algorithm. An ATI error is reported if one of the following is true for any channel after the ATI has completed:

- > ATI Compensation = 0 (min value)
- > ATI Compensation \geq 1023 (max value)
- > Count is already outside the Re-ATI range upon completion of the ATI algorithm

If any of these conditions are met, the corresponding error flag will be set (*ATI Error*). The flag status is only updated again when a new ATI algorithm is performed.

Re-ATI will not be repeated immediately if an ATI Error occurs. A configurable time (*ATI error timeout*) will pass where the Re-ATI is momentarily suppressed. This is to prevent the Re-ATI repeating indefinitely. An ATI error should however not occur under normal circumstances.



6 Sensing Modes

6.1 Mode Timeout

In order to optimize power consumption and performance, power modes are "stepped" by default in order to move to power efficient modes when no interaction has been detected for a certain (configurable) time known as the "mode timeout". The value for the power mode to never timeout (i.e. the current power mode will never progress to a lower power mode), is 0x00.

6.2 Count Filter

6.2.1 IIR Filter

The IIR filter applied to the digitized raw input offers various damping options as defined in Table A.20 and Table A.21

$$\text{Damping factor} = \text{Beta}/256$$



7 Hardware Settings

Settings specific to hardware and the ProxFusion® Module charge transfer characteristics can be changed.

Below some are described, the other hardware parameters are not discussed as they should only be adjusted under guidance of Azoteq support engineers.

7.1 Charge Transfer Frequency

The charge transfer frequency (f_{xfer}) can be configured using the product GUI, and the relative parameters (*Charge Transfer frequency*) will be provided. For high resistance sensors, it might be needed to decrease f_{xfer} .

7.2 Reset

7.2.1 Reset Indication

After a reset, the *Reset* bit will be set by the system to indicate the reset event occurred. This bit will clear when the master sets the *Ack Reset*, if it becomes set again, the master will know a reset has occurred, and can react appropriately.

While *Reset* bit remains set:

- > The device will not be able to enter into I²C Event mode operation (i.e. streaming communication behavior will be maintained until the Reset bit is cleared)
- > During the period of ATI execution, the device will provide communication windows continuously during the ATI process, resulting in much longer time to finish the ATI routine.

7.2.2 Software Reset

The IQS7222B can be reset by means of an I²C command (*Soft Reset*).



8 Additional Features

8.1 Setup Defaults

The supplied GUI can be utilised to configure the optimal settings. The design specific settings are exported and can be written to the device by the master after every power-on reset.

8.2 Automated Start-up

The device is programmed with the application firmware, bundled with settings specifically configured for the current hardware as described in Section 8.1. After power-up the device will automatically use the settings and perform the configuration/setup accordingly.

8.3 Watchdog Timer (WDT)

A software watchdog timer is implemented to improve system reliability.

The working of this timer is as follows:

- > A software timer t_{WDT} is linked to the LFTMR (Low frequency timer) running on the "always on" Low Frequency Oscillator (10 kHz).
- > This timer is reset at a strategic point in the main loop.
- > Failing to reset this timer will cause the appropriate ISR (interrupt service routine) to run.
- > This ISR performs a software triggered POR (Power on Reset).
- > The device will reset, performing a full cold boot.

8.4 RF Immunity

The IQS7222B has immunity to high power RF noise. To improve the RF immunity, extra decoupling capacitors are suggested on V_{REG} and V_{DDHI} .

Place a 100pF in parallel with the 2.2 μ F ceramic on V_{REG} . Place a 4.7 μ F ceramic on V_{DD} . All decoupling capacitors should be placed as close as possible to the V_{DD} and V_{REG} pads.

If needed, series resistors can be added to Rx electrodes to reduce RF coupling into the sending pads. Normally these are in the range of 470 Ω -1k Ω . PCB ground planes also improve noise immunity.



9 I²C Interface

9.1 I²C Module Specification

The device supports a standard two wire I²C interface with the addition of an RDY (ready interrupt) line. The communications interface of the IQS7222B supports the following:

- > *Fast-mode-plus* standard I²C up to 1MHz.
- > Streaming data as well as event mode.
- > The provided interrupt line (RDY) is an open-drain active low implementation and indicates a communication window.

The IQS7222B implements 8-bit addressing with 2 bytes at each address with the exception of extended addresses, which implement 16-bit addressing with 2 bytes at each address. Two consecutive read/writes are required in this memory map structure. The two bytes at each address will be referred to as "byte 0" (least significant byte) and "byte 1" (most significant byte).

9.2 I²C Address

The default 7-bit device address is 0x56 ('1010110'). The full address byte will thus be 0xAD (read) or 0xAC (write).

Other address options exist on special request. Please contact Azoteq.

9.3 I³C Compatibility

This device is not compatible with an I³C bus due to clock stretching allowed for data retrieval.

9.4 Memory Map Addressing

9.4.1 8-bit Address

Most of the memory map implements an 8-bit addressing scheme for the required user data. Extended memory map addresses implement 16-bit addressing scheme.

9.4.2 Extended 16-bit Address

For development purposes larger blocks of data (such as the 16-bit channel count values) are found in an extended 16-bit memory addressable location. It is possible to only address each Block as an 8-bit address, and then continue to clock into the next address locations. For example, if the procedure depicted below is followed, you will read the values from the hypothetical address 0xE000 to 0xE003:

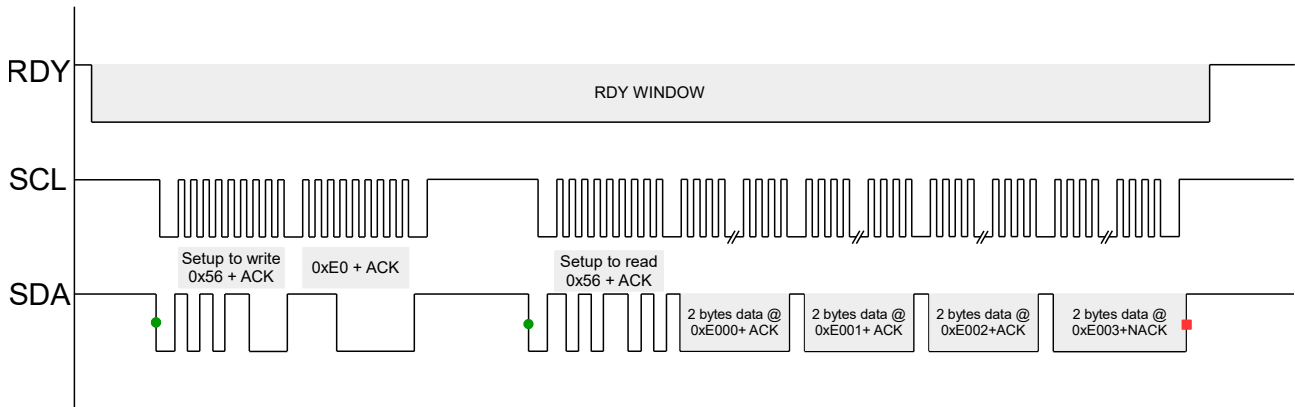


Figure 9.1: Extended 16-bit Addressing for Continuous Block

However, if you need to address a specific byte in that extended memory map space, then you will need to address using the full 16-bit address (note the 16-bit address is high byte first, unlike the data which is low byte first):

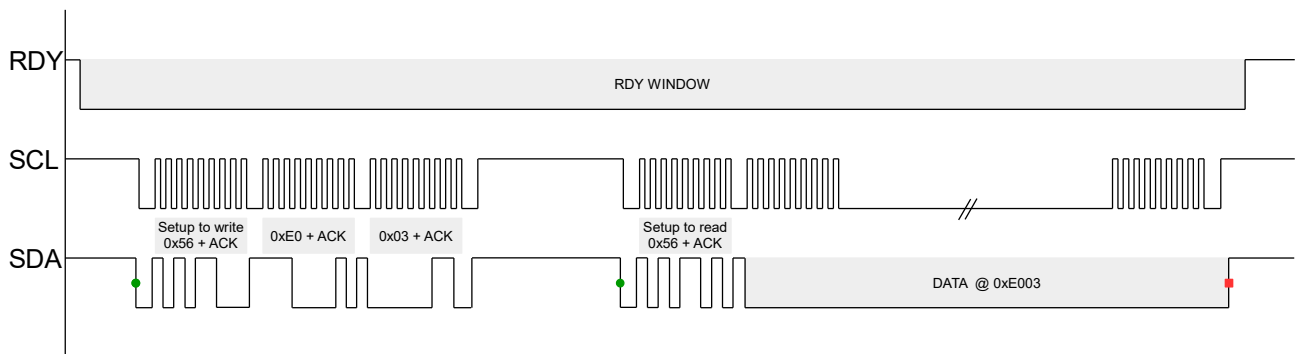


Figure 9.2: Extended 16-bit Addressing for a Specific Register

9.5 Data

The data is 16-bit words, meaning that each address obtains 2 bytes of data. For example, address 0x10 will provide two bytes, then the next two bytes read will be from address 0x11.

The 16-bit data is sent in little endian byte order (least significant byte first).

The h file generated by the GUI will display the start address of each block of data, with each address containing 2 bytes. The data of all the addresses can be written consecutively -in a single block of data or the entire memory map, (refer to figure 9.1), or data can be written explicitly to a specific address (refer to figure 9.2). An example of the h file exported by the GUI and the order of the data, is shown in figure 9.3 below.

```

/* Change the Sensor 0 Settings */
/* Memory Map Position 0x30 - 0x39 */
#define SENSOR_0_SETUP_0          0x01  →  LSB
#define SENSOR_0_SETUP_1          0x07  →  MSB

```

Figure 9.3: Example of an H file Exported by the GUI

9.6 I²C Timeout

If the communication window is not serviced within the *I²C timeout* period (in milliseconds), the session is ended (RDY goes HIGH), and processing continues as normal. This allows the system to continue and keep reference values up to date even if the master is not responsive, however the corresponding data was missed/lost, and this should be avoided. The default I²C timeout period is set to 500ms and can be adjusted in register 0xDC.

9.7 Terminate Communication

A standard I²C STOP ends the current communication window.

If the stop disable (bit 0, register 0xDB) is set, the device will not respond to a standard I²C STOP. The communication window must be terminated using the end communications command (0xFF).

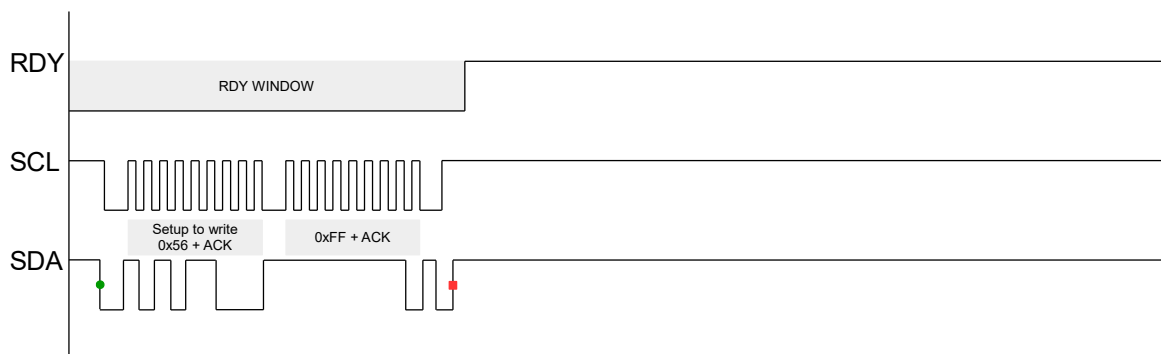


Figure 9.4: Force Stop Communication Sequence

9.8 RDY/IRQ

The communication has an open-drain active-LOW RDY signal to inform the master that updated data is available. It is optimal for the master to use this as an interrupt input and obtain the data accordingly. It is also useful to allow the master MCU to enter low-power/sleep allowing wake-up from the touch device when user presence is detected. It is recommended that the RDY be placed on an interrupt-on-pin-change input on the master.

9.9 Invalid Communications Return

The device will give an invalid communication response (0xEE) under the following conditions:

- > The host is trying to read from a memory map register that does not exist.
- > The host is trying to read from the device outside of a communication window (i.e. while RDY = high)

9.10 I²C Interface

The IQS7222B has 3 *I²C interface options*, as described in the sections below.

9.10.1 I²C Streaming

I²C Streaming mode refers to constant data reporting at the relevant power mode report rate specified in register 0xD4 (normal power), register 0xD6 (low power) and register 0xD8 (ultra low power)



respectively.

9.10.2 I²C Event Mode

The device can be set up to bypass the communication window when no activity is sensed (EVENT MODE). This is usually enabled since the master does not want to be interrupted unnecessarily during every cycle if no activity occurred. The communication will resume (RDY will indicate available data) if an enabled event occurs.

9.10.3 I²C Stream in Touch Mode

Stream in touch is a hybrid I²C mode between streaming mode and event mode. The device follows event mode I²C protocol but when a touch is registered on any channel, the device enters streaming mode until the touch is released.

The hybrid I²C interface is specifically aimed at the use of sliders where data needs to be received and processed for the duration of a touch.

9.11 Event Mode Communication

Event mode can only be entered if the following requirements are met:

- > Reset bit must be cleared by acknowledging the device reset condition occurrence through writing Ack Reset bit to clear the System status flag.
- > Events must be serviced by reading from the Events register 0x11 to ensure all events flags are cleared otherwise continuous reporting (RDY interrupts) will persist after every conversion cycle similar to streaming mode

9.11.1 Events

Numerous events can be individually enabled to trigger communication, bit definitions can be found in Table A.2 and Table A.3:

- > Power mode change
- > Prox or touch event
- > ATI error
- > ATI active
- > ATI Event

9.11.2 Force Communication

In streaming mode, the IQS7222B I²C will provide Ready (RDY) windows at intervals specified in the power mode report rate. Ideally, communication with the IQS7222B should only be initiated in a Ready window but a communication request described in figure 9.5 below, will force a Ready window to open. In event mode Ready windows are only provided when an event is reported and a Ready window must be requested to write or read settings outside of this window. The time between the communication request and the opening of a RDY window (t_{wait}), is application specific, but the average values are $0.1ms \leq t_{wait} \leq 45ms$ ⁱ.

The communication request sequence is shown in figure 9.5 below.

ⁱPlease contact Azoteq for an application specific value of t_{wait}

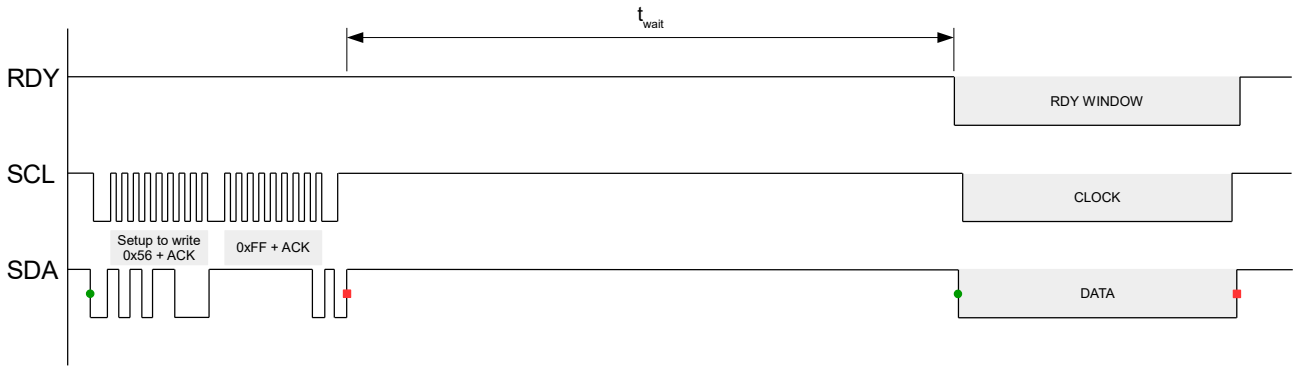


Figure 9.5: Force Communication Sequence

9.12 Program Flow Diagram

The program flow for event mode communication is shown in 9.6

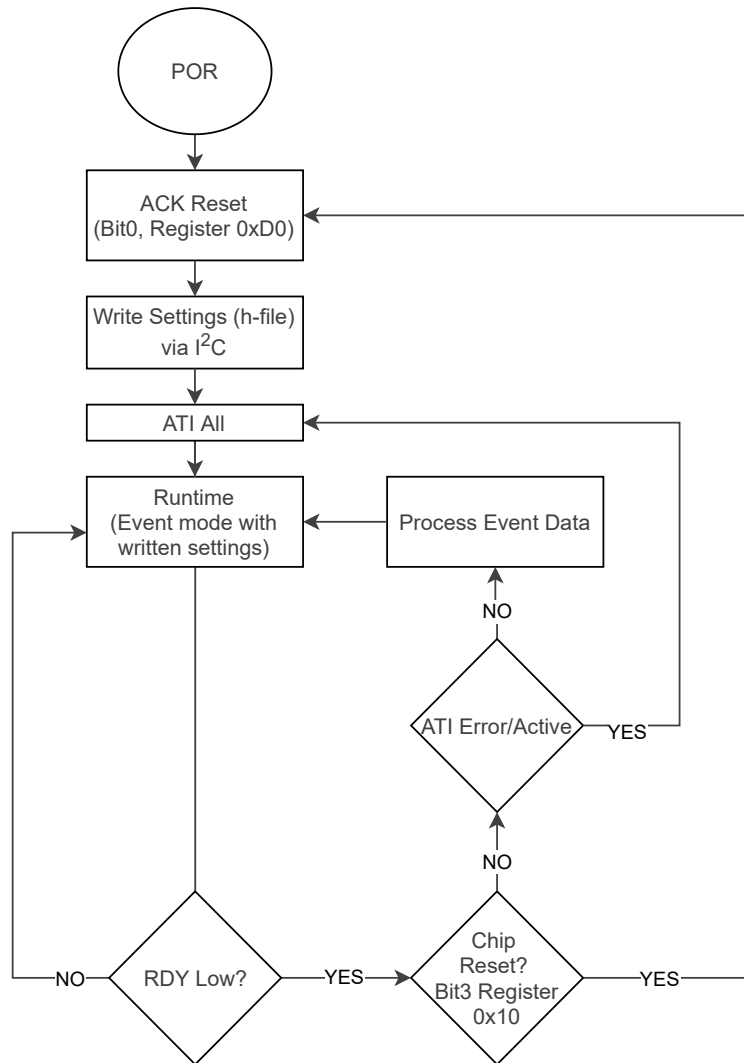


Figure 9.6: Program Flow Diagram



10 I²C Memory Map - Register Descriptions

See Appendix A for a more detailed description of registers and bit definitions

Address	Data (16bit)	Notes
0x00 - 0x09	Version details	See Table A.1
Read Only		
0x10	System Status	See Table A.2
0x11	Events	See Table A.3
0x12	Prox event States	See Table A.4
0x13		See Table A.5
0x14	Touch event States	See Table A.6
0x15		See Table A.7
Read Only Channel Counts		
0x20	Channel 0 Counts	16-bit value
0x21	Channel 1 Counts	
0x22	Channel 2 Counts	
0x23	Channel 3 Counts	
0x24	Channel 4 Counts	
0x25	Channel 5 Counts	
0x26	Channel 6 Counts	
0x27	Channel 7 Counts	
0x28	Channel 8 Counts	
0x29	Channel 9 Counts	
0x2A	Channel 10 Counts	
0x2B	Channel 11 Counts	
0x2C	Channel 12 Counts	
0x2D	Channel 13 Counts	
0x2E	Channel 14 Counts	
0x2F	Channel 15 Counts	
0x30	Channel 16 Counts	
0x31	Channel 17 Counts	
0x32	Channel 18 Counts	
0x33	Channel 19 Counts	
Read Only Channel LTA		
0x40	Channel 0 LTA	16-bit value
0x41	Channel 1 LTA	
0x42	Channel 2 LTA	
0x43	Channel 3 LTA	
0x44	Channel 4 LTA	
0x45	Channel 5 LTA	
0x46	Channel 6 LTA	
0x47	Channel 7 LTA	
0x48	Channel 8 LTA	
0x49	Channel 9 LTA	
0x4A	Channel 10 LTA	
0x4B	Channel 11 LTA	
0x4C	Channel 12 LTA	
0x4D	Channel 13 LTA	
0x4E	Channel 14 LTA	
0x4F	Channel 15 LTA	
0x50	Channel 16 LTA	
0x51	Channel 17 LTA	



0x52	Channel 18 LTA	
0x53	Channel 19 LTA	
Read-Write	Cycle Setup	
0x8000	Cycle Setup 0	See Table A.8
0x8001		See Table A.9
0x8100	Cycle Setup 1	See Table A.8
0x8101		See Table A.9
0x8200	Cycle Setup 2	See Table A.8
0x8201		See Table A.9
0x8300	Cycle Setup 3	See Table A.8
0x8301		See Table A.9
0x8400	Cycle Setup 4	See Table A.8
0x8401		See Table A.9
0x8500	Cycle Setup 5	See Table A.8
0x8501		See Table A.9
0x8600	Cycle Setup 6	See Table A.8
0x8601		See Table A.9
0x8700	Cycle Setup 7	See Table A.8
0x8701		See Table A.9
0x8800	Cycle Setup 8	See Table A.8
0x8801		See Table A.9
0x8900	Cycle Setup 9	See Table A.8
0x8901		See Table A.9
0x8A00	Global Cycle Setup	See Table A.10
0x8A01	Coarse and Fine Divider Preloads	See Table A.11
0x8A02	Compensation Preload	See Table A.12
Read-Write	Channel Setup	
0x9000	Channel Setup 0	See Table A.13
0x9001		See Table A.14
0x9100	Channel Setup 1	See Table A.13
0x9101		See Table A.14
0x9200	Channel Setup 2	See Table A.13
0x9201		See Table A.14
0x9300	Channel Setup 3	See Table A.13
0x9301		See Table A.14
0x9400	Channel Setup 4	See Table A.13
0x9401		See Table A.14
0x9500	Channel Setup 5	See Table A.13
0x9501		See Table A.14
0x9600	Channel Setup 6	See Table A.13
0x9601		See Table A.14
0x9700	Channel Setup 7	See Table A.13
0x9701		See Table A.14
0x9800	Channel Setup 8	See Table A.13
0x9801		See Table A.14
0x9900	Channel Setup 9	See Table A.13
0x9901		See Table A.14
0x9A00	Channel Setup 10	See Table A.13
0x9A01		See Table A.14
0x9B00	Channel Setup 11	See Table A.13
0x9B01		See Table A.14
0x9C00	Channel Setup 12	See Table A.13



0x9C01		See Table A.14
0x9D00	Channel Setup 13	See Table A.13
0x9D01		See Table A.14
0x9E00	Channel Setup 14	See Table A.13
0x9E01		See Table A.14
0x9F00	Channel Setup 15	See Table A.13
0x9F01		See Table A.14
0xA000	Channel Setup 16	See Table A.13
0xA001		See Table A.14
0xA100	Channel Setup 17	See Table A.13
0xA101		See Table A.14
0xA200	Channel Setup 18	See Table A.13
0xA201		See Table A.14
0xA300	Channel Setup 19	See Table A.13
0xA301		See Table A.14
Read-Write Channel Setup		
Channel 0		
0xB000	CRX Select and General Channel Setup	See Table A.15
0xB001	ATI Base and Target	See Table A.17
0xB002	Fine and Coarse Multipliers	See Table A.18
0xB003	ATI Compensation	See Table A.19
Channel 1		
0xB100	CRX Select and General Channel Setup	See Table A.15
0xB101	ATI Base and Target	See Table A.17
0xB102	Fine and Coarse Multipliers	See Table A.18
0xB103	ATI Compensation	See Table A.19
Channel 2		
0xB200	CRX Select and General Channel Setup	See Table A.15
0xB201	ATI Base and Target	See Table A.17
0xB202	Fine and Coarse Multipliers	See Table A.18
0xB203	ATI Compensation	See Table A.19
Channel 3		
0xB300	CRX Select and General Channel Setup	See Table A.15
0xB301	ATI Base and Target	See Table A.17
0xB302	Fine and Coarse Multipliers	See Table A.18
0xB303	ATI Compensation	See Table A.19
Channel 4		
0xB400	CRX Select and General Channel Setup	See Table A.15
0xB401	ATI Base and Target	See Table A.17
0xB402	Fine and Coarse Multipliers	See Table A.18
0xB403	ATI Compensation	See Table A.19
Channel 5		
0xB500	CRX Select and General Channel Setup	See Table A.15
0xB501	ATI Base and Target	See Table A.17
0xB502	Fine and Coarse Multipliers	See Table A.18
0xB503	ATI Compensation	See Table A.19
Channel 6		
0xB600	CRX Select and General Channel Setup	See Table A.15
0xB601	ATI Base and Target	See Table A.17
0xB602	Fine and Coarse Multipliers	See Table A.18
0xB603	ATI Compensation	See Table A.19
Channel 7		



0xB700	CRX Select and General Channel Setup	See Table A.15
0xB701	ATI Base and Target	See Table A.17
0xB702	Fine and Coarse Multipliers	See Table A.18
0xB703	ATI Compensation	See Table A.19
Channel 8		
0xB800	CRX Select and General Channel Setup	See Table A.15
0xB801	ATI Base and Target	See Table A.17
0xB802	Fine and Coarse Multipliers	See Table A.18
0xB803	ATI Compensation	See Table A.19
Channel 9		
0xB900	CRX Select and General Channel Setup	See Table A.15
0xB901	ATI Base and Target	See Table A.17
0xB902	Fine and Coarse Multipliers	See Table A.18
0xB903	ATI Compensation	See Table A.19
Channel 10		
0xBA00	CRX Select and General Channel Setup	See Table A.16
0xBA01	ATI Base and Target	See Table A.17
0xBA02	Fine and Coarse Multipliers	See Table A.18
0xBA03	ATI Compensation	See Table A.19
Channel 11		
0xBB00	CRX Select and General Channel Setup	See Table A.16
0xBB01	ATI Base and Target	See Table A.17
0xBB02	Fine and Coarse Multipliers	See Table A.18
0xBB03	ATI Compensation	See Table A.19
Channel 12		
0xBC00	CRX Select and General Channel Setup	See Table A.16
0xBC01	ATI Base and Target	See Table A.17
0xBC02	Fine and Coarse Multipliers	See Table A.18
0xBC03	ATI Compensation	See Table A.19
Channel 13		
0xBD00	CRX Select and General Channel Setup	See Table A.16
0xBD01	ATI Base and Target	See Table A.17
0xBD02	Fine and Coarse Multipliers	See Table A.18
0xBD03	ATI Compensation	See Table A.19
Channel 14		
0xBE00	CRX Select and General Channel Setup	See Table A.16
0xBE01	ATI Base and Target	See Table A.17
0xBE02	Fine and Coarse Multipliers	See Table A.18
0xBE03	ATI Compensation	See Table A.19
Channel 15		
0xBF00	CRX Select and General Channel Setup	See Table A.16
0xBF01	ATI Base and Target	See Table A.17
0xBF02	Fine and Coarse Multipliers	See Table A.18
0xBF03	ATI Compensation	See Table A.19
Channel 16		
0xC000	CRX Select and General Channel Setup	See Table A.16
0xC001	ATI Base and Target	See Table A.17
0xC002	Fine and Coarse Multipliers	See Table A.18
0xC003	ATI Compensation	See Table A.19
Channel 17		
0xC100	CRX Select and General Channel Setup	See Table A.16



0xC101	ATI Base and Target		See Table A.17
0xC102	Fine and Coarse Multipliers		See Table A.18
0xC103	ATI Compensation		See Table A.19
Channel 18			
0xC200	CRX Select and General Channel Setup		See Table A.16
0xC201	ATI Base and Target		See Table A.17
0xC202	Fine and Coarse Multipliers		See Table A.18
0xC203	ATI Compensation		See Table A.19
Channel 19			
0xC300	CRX Select and General Channel Setup		See Table A.16
0xC301	ATI Base and Target		See Table A.17
0xC302	Fine and Coarse Multipliers		See Table A.18
0xC303	ATI Compensation		See Table A.19
Read-Write	Filter Betas		
0xC400	Filter Beta		See Table A.20
0xC401	Fast Filter Beta		See Table A.21
Read-Write	PMU and System Settings		
0xD0	Control settings		See Table A.22
0xD1	ATI Error Timeout		16-bit value * 0.5 (s)
0xD2	ATI Report Rate		16-bit value (ms)
0xD3	Normal Power Mode Timeout		16-bit value (ms)
0xD4	Normal Power Mode Report Rate		16-bit value (ms) Range: 0 - 3000
0xD5	Low Power Mode Timeout		16-bit value (ms)
0xD6	Low Power Mode Report Rate		16-bit value (ms) Range: 0 - 3000
0xD7	Normal Power Update rate in Ultra-low Power Mode		16-bit value (ms)
0xD8	Ultra-low Power Mode Report Rate		16-bit value (ms) Range: 0 - 3000
0xD9	Touch Event Timeout	Prox Event Timeout	8-bit value in 500ms steps (0 = never timeout)
0xDA	Event Enable		See Table A.23
0xDB	I ² C Communication		See Table A.24
0xDC	Communication Timeout		See Table A.25



11 Implementation and Layout

11.1 Layout Fundamentals

NOTE

Information in the following Applications section is not part of the Azoteq component specification, and Azoteq does not warrant its accuracy or completeness. Azoteq's customers are responsible for determining suitability of components for their purposes. Customers should validate and test their design implementation to confirm system functionality.

11.1.1 Power Supply Decoupling

Azoteq recommends connecting a combination of a 4.7 μF plus a 100 pF low-ESR ceramic decoupling capacitor between the VDD and VSS pins. Higher-value capacitors may be used but can impact supply rail ramp-up time. Decoupling capacitors must be placed as close as possible to the pins that they decouple (within a few millimetres).

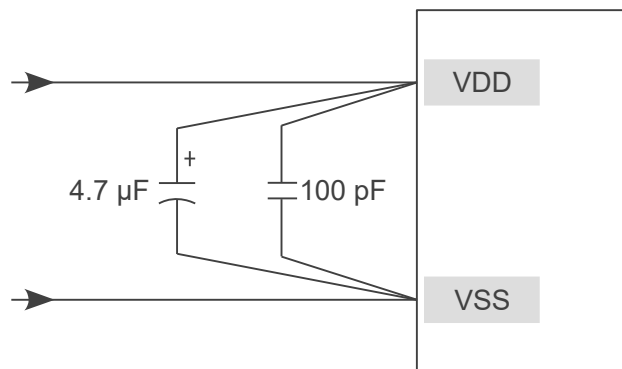


Figure 11.1: Recommended Power Supply Decoupling

11.1.2 VREG

The VREG pin requires a 2.2 μF capacitor to regulate the LDO internal to the device. This capacitor must be placed as close as possible to the microcontroller. The figure below shows an example layout where the capacitor is placed close to the IC.

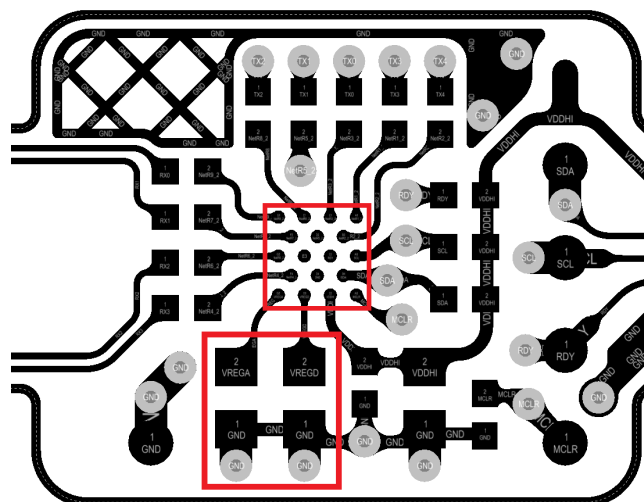


Figure 11.2: VREG Capacitor Placement Close to IC



11.1.3 WLCSP Light Sensitivity

The CSP package is sensitive to infrared light. When the silicon IC is subject to the photo-electric effect, an increase in leakage current is experienced. Due to the low power consumption of the IC this causes a change in signal and is common in the semiconductor industry with CSP devices.

If the IC could be exposed to IR in the product, then a dark glob-top epoxy material should cover the complete package to block infrared light. It is important to use sufficient material to completely cover the corners of the package. The glob-top also provides further advantages such as mechanical strength and shock absorption.



12 Ordering Information

12.1 Ordering Code

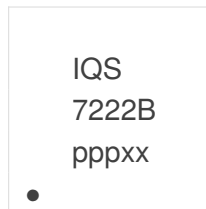
IQS7222B zzz ppb

IC NAME	IQS7222B	=	IQS7222B	
POWER-ON CONFIGURATION	zzz	=	001	Reserved
			101	18 Button settings (mutual capacitance) with proximity wake-up ⁱ
			102	18 Button settings (mutual capacitance) with proximity wake-up ⁱⁱ
PACKAGE TYPE	pp	=	CS	WLCSP-18 package
			QN	QFN-20 package
BULK PACKAGING	b	=	R	WLCSP-18 Reel (3000pcs/reel) QFN-20 Reel (2000pcs/reel)

Figure 12.1: Order Code Description

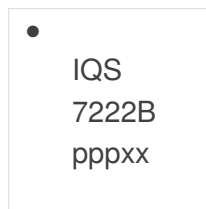
12.2 Top Marking

12.2.1 WLCSP18 Package



Product Name
ppp = product code
xx = batchcode

12.2.2 QFN20 Package Marking Option 1



Product Name
ppp = product code
xx = batchcode

ⁱF_{Osc} = 18MHz
ⁱⁱF_{Osc} = 14MHz



12.2.3 QFN20 Package Marking Option 2

•
IQS
722xy
pppxx

Product Name
ppp = product code
xx = batchcode



13 Package Specification

13.1 Package Outline Description – QFN20

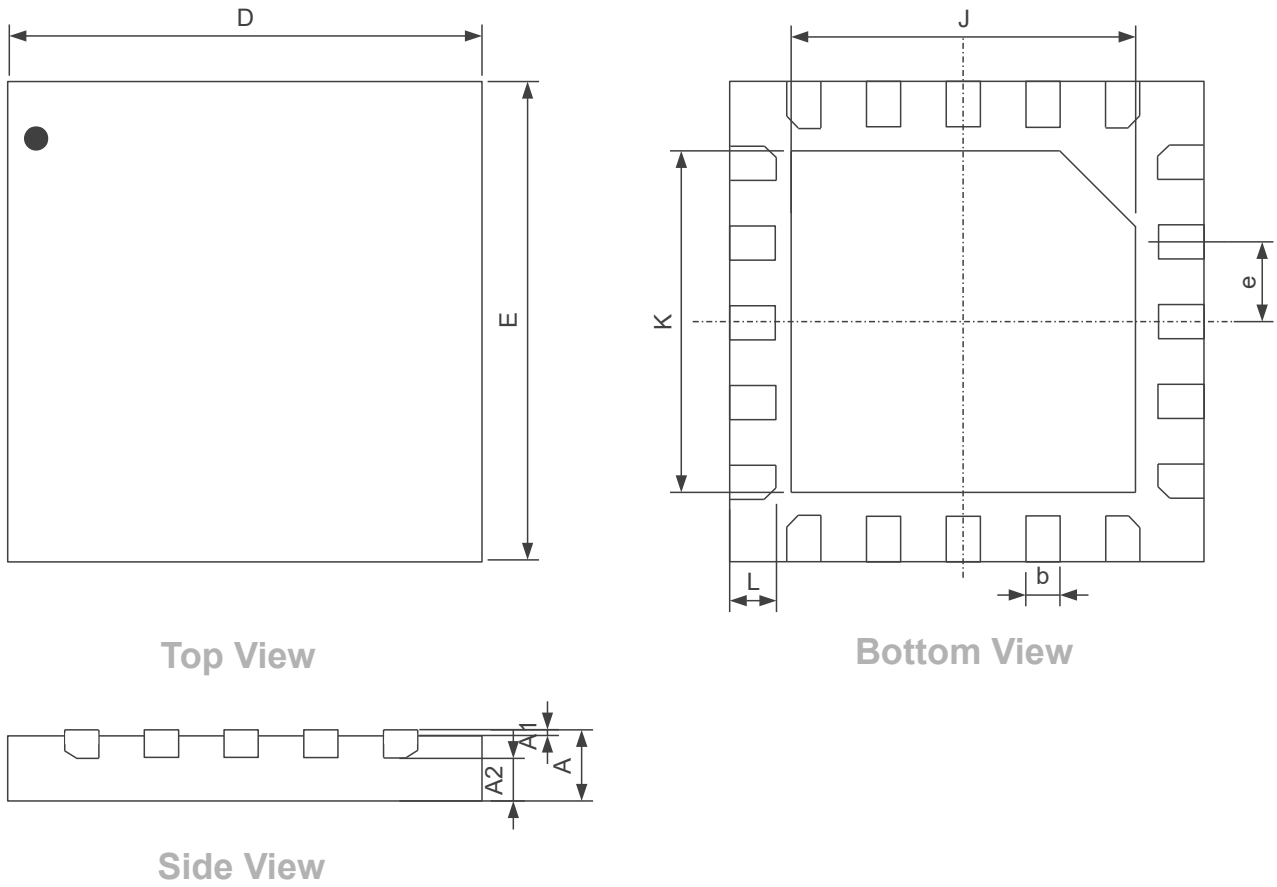


Figure 13.1: QFN (3x3)-20 Package Outline Visual Description

Table 13.1: QFN (3x3)-20 Package Outline Visual Description

Dimension	[mm]	Dimension	[mm]
A	0.5 ± 0.1	E	3
A1	0.035 ± 0.05	e	0.4
A2	0.3	J	1.7 ± 0.1
A3	0.203	K	1.7 ± 0.1
b	0.2 ± 0.05	L	0.4 ± 0.05
D	3		

13.2 Package Outline Description – WLCSP18

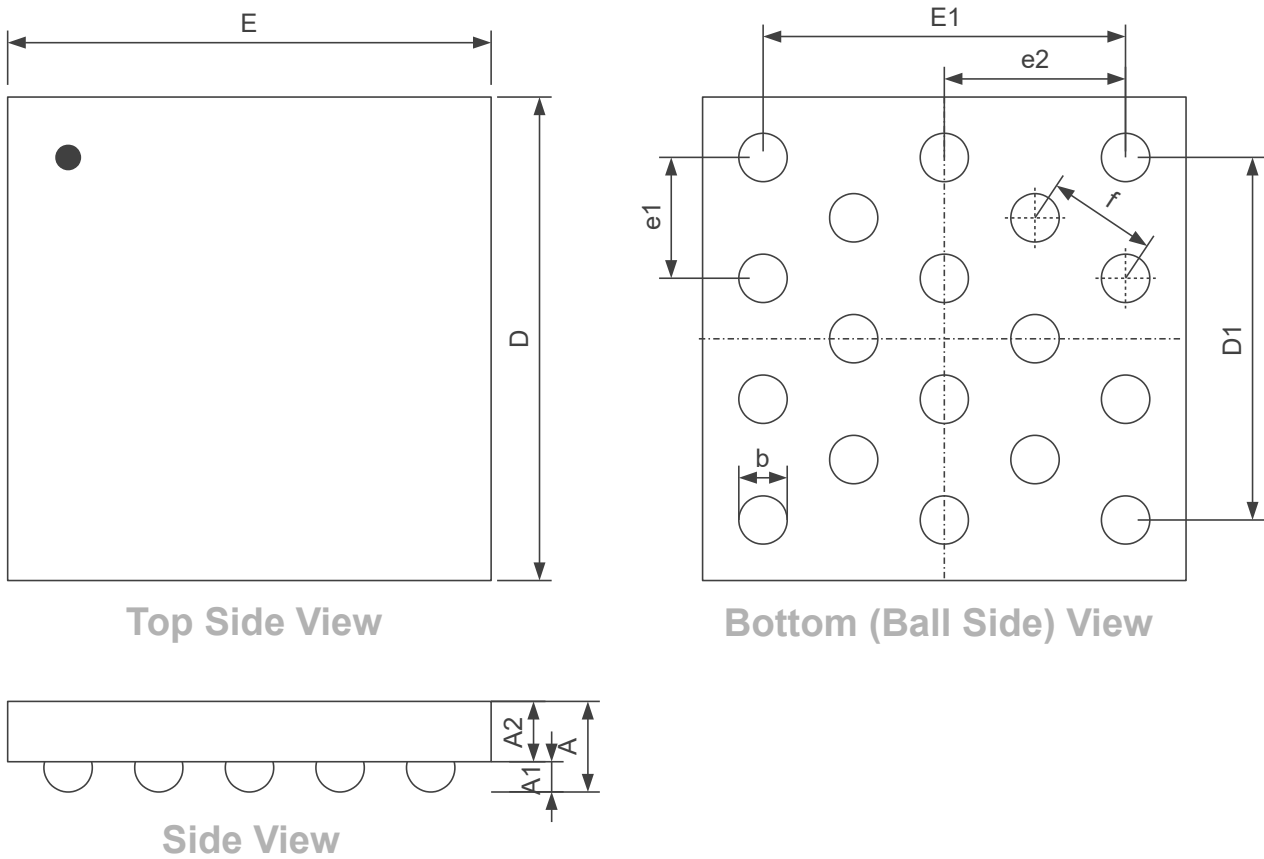


Figure 13.2: WLCSP (1.62x1.62)-18 Package Outline Visual Description

Table 13.2: WLCSP (1.62x1.62)-18 Package Outline Visual Description

Dimension	[mm]	Dimension	[mm]
A	0.525 ± 0.05	E	1.620 ± 0.015
A1	0.2 ± 0.02	E1	1.2
A2	0.3 ± 0.025	e1	0.4
b	0.260 ± 0.039	e2	0.6
D	1.620 ± 0.015	f	0.36
D1	1.2		

13.3 Tape and Reel Specifications

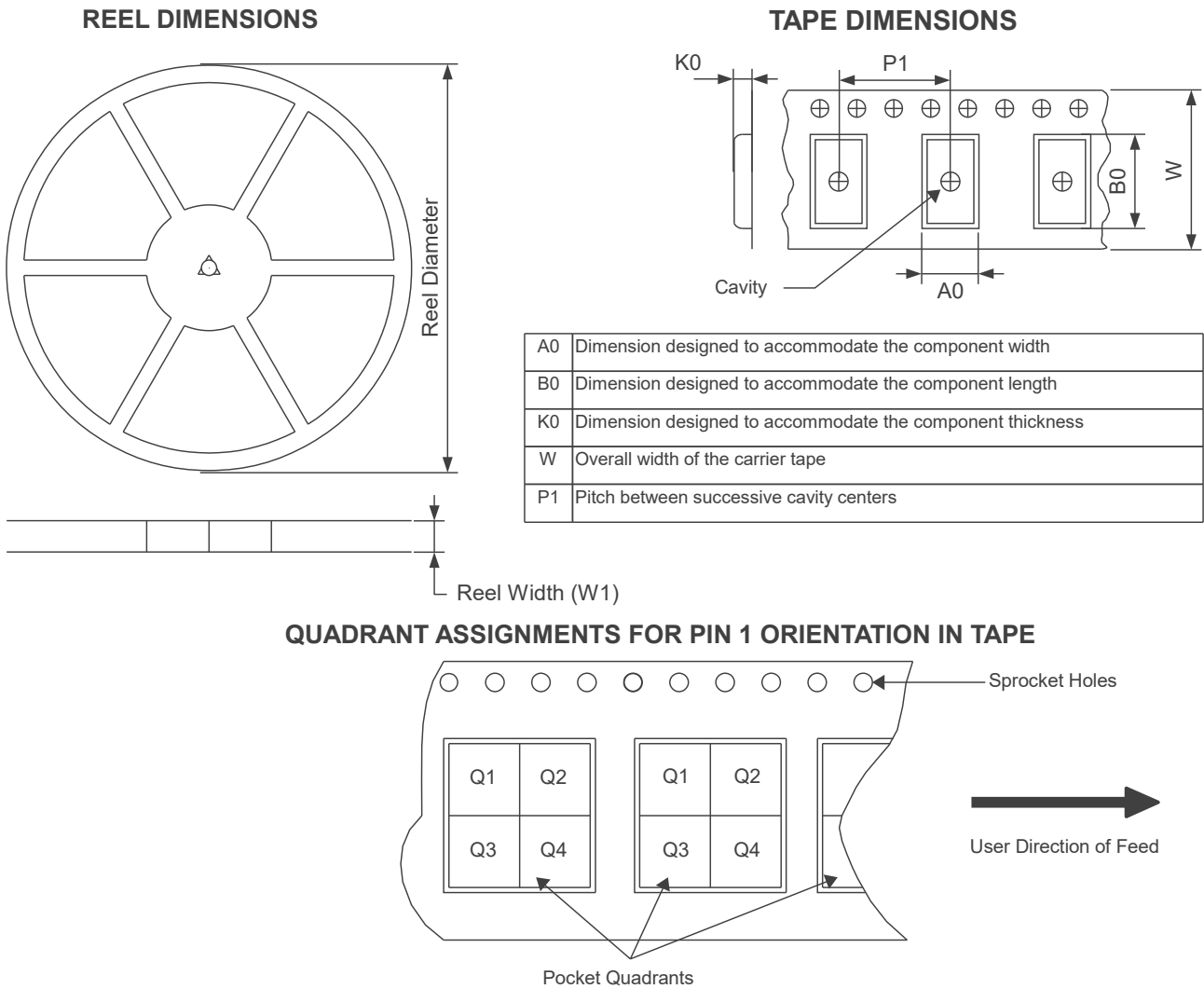


Figure 13.3: Tape and Reel Specification

Table 13.3: Tape and reel Specifications

Package Type	Pins	Reel Diameter (mm)	Reel Width (mm)	A0 (mm)	B0 (mm)	K0 (mm)	P1 (mm)	W (mm)	Pin1 Quadrant
QFN20	20	180	12.4	3.3	3.3	0.8	8	12	Q2
WLCSP18	18	179	8.4	1.78	1.78	0.69	4	8	Q1



13.4 Moisture Sensitivity Levels

Package	MSL
QFN20	1
WLCSP18	1

13.5 Reflow Specifications

Contact Azoteq



A Memory Map Descriptions

Please note: The value of all Read-write bits marked as Reserved, unless otherwise specified, can be set to 0 or 1 depending on customer's preference.

Table A.1: Version Information

Register: 0x00 - 0x09

Address	Category	Name	Value
0x00	Application Version Info	Product Number	698
0x01		Major Version	1
0x02		Minor Version	45 ⁱ
0x03		Reserved	Reserved
0x04			
0x05 - 0x09	Reserved		

Table A.2: System Status

Register: 0x10

Bit15	Bit14	Bit13	Bit12	Bit11	Bit10	Bit9	Bit8	Bit7	Bit6	Bit5	Bit4	Bit3	Bit2	Bit1	Bit0
Reserved								Global Halt	NP up-date	Current Power mode	Reset	Res	ATI Error	ATI Active	

- > **Bit 7: Global Halt**
 - 0: Global Halt not active
 - 1: Global Halt active
- > **Bit 6: Normal Power Update**
 - 0: No Normal Power Update occurred
 - 1: Normal Power update occurred
- > **Bit 4-5: Current Power Mode**
 - 00: Normal power mode
 - 01: Low power mode
 - 10: Ultra-low power mode
- > **Bit 3: Device Reset**
 - 0: No reset occurred
 - 1: Reset occurred
- > **Bit 1: ATI Error**
 - 0: No ATI error occurred
 - 1: ATI error occurred
- > **Bit 0: ATI Active**
 - 0: ATI not active
 - 1: ATI active

Table A.3: Events

Register: 0x11

Bit15	Bit14	Bit13	Bit12	Bit11	Bit10	Bit9	Bit8	Bit7	Bit6	Bit5	Bit4	Bit3	Bit2	Bit1	Bit0
Reserved		Power Event	ATI Event	Reserved										Touch Event	Prox Event

- > **Bit 13: Power Event**
 - 0: No Power Event occurred
 - 1: Power Event occurred
- > **Bit 12: ATI Event**
 - 0: No ATI Event occurred
 - 1: ATI Event occurred
- > **Bit 1: Touch Event**
 - 0: No Touch Event occurred
 - 1: Touch Event occurred
- > **Bit 0: Prox Event**
 - 0: No Prox Event occurred
 - 1: Prox Event occurred

ⁱRefer to product change note for information on previous versions



Table A.4: Proximity Event States 0

Register: 0x12															
Bit15	Bit14	Bit13	Bit12	Bit11	Bit10	Bit9	Bit8	Bit7	Bit6	Bit5	Bit4	Bit3	Bit2	Bit1	Bit0
CH15	CH14	CH13	CH12	CH11	CH10	CH9	CH8	CH7	CH6	CH5	CH4	CH3	CH2	CH1	CH0

- > **Bit 0-15: Channel Prox Event**
 - 0: No prox event occurred on channel
 - 1: Prox event occurred on channel

Table A.5: Proximity Event States 1

Register: 0x13															
Bit15	Bit14	Bit13	Bit12	Bit11	Bit10	Bit9	Bit8	Bit7	Bit6	Bit5	Bit4	Bit3	Bit2	Bit1	Bit0
Reserved												CH19	CH18	CH17	CH16

- > **Bit 0-3: Channel Prox Event**
 - 0: No prox event occurred on channel
 - 1: Prox event occurred on channel

Table A.6: Touch Event States 0

Register: 0x14															
Bit15	Bit14	Bit13	Bit12	Bit11	Bit10	Bit9	Bit8	Bit7	Bit6	Bit5	Bit4	Bit3	Bit2	Bit1	Bit0
CH15	CH14	CH13	CH12	CH11	CH10	CH9	CH8	CH7	CH6	CH5	CH4	CH3	CH2	CH1	CH0

- > **Bit 0-15: Channel Touch Event**
 - 0: No touch event occurred on channel
 - 1: Touch event occurred on channel

Table A.7: Touch Event States 1

Register: 0x15															
Bit15	Bit14	Bit13	Bit12	Bit11	Bit10	Bit9	Bit8	Bit7	Bit6	Bit5	Bit4	Bit3	Bit2	Bit1	Bit0
Reserved												CH19	CH18	CH17	CH16

- > **Bit 0-3: Channel Touch Event**
 - 0: No touch event occurred on channel
 - 1: Touch event occurred on channel

Table A.8: Cycle Setup 0

Register: 0x8000, 0x8100, 0x8200, 0x8300, 0x8400, 0x8500, 0x8600, 0x8700, 0x8800, 0x8900															
Bit15	Bit14	Bit13	Bit12	Bit11	Bit10	Bit9	Bit8	Bit7	Bit6	Bit5	Bit4	Bit3	Bit2	Bit1	Bit0
Conversion Frequency Period										Conversion Frequency Fraction					

- > **Bit 8-15: Conversion Frequency Period**
 - The calculation of the charge transfer frequency (f_{xfer} is shown below. The relevant formula is determined by the value of the dead time enabled bit (refer to table A.9)
 - Dead time disabled: $f_{xfer} = \frac{f_{osc}}{2 * period + 2}$
 - Dead time enabled: $f_{xfer} = \frac{f_{osc}}{2 * period + 3}$
 - Range: 0 - 127
- > **Bit 0-7: Conversion Frequency Fraction**
 - $256 * \frac{f_{xfer}}{f_{osc}}$
 - Range: 0 - 255
- > **Note:** For $F_{OSC} = 18\text{MHz}$, a fixed Conversion frequency fraction of 127 and dead time enabled, the following values of the conversion frequency period will result in the corresponding charge transfer frequencies:
 - 3: 2MHz
 - 7: 1MHzⁱⁱ
 - 16: 500kHz
 - 24: 350kHz

ⁱⁱPlease note: The maximum charge transfer frequency for projected capacitance mode (refer to table A.9) is 1MHz



- 34: 250kHz
- 70: 125kHz

Table A.9: Cycle Setup 1

Register: 0x8001, 0x8101, 0x8201, 0x8301, 0x8401, 0x8501, 0x8601, 0x8701, 0x8801, 0x8901															
Bit15	Bit14	Bit13	Bit12	Bit11	Bit10	Bit9	Bit8	Bit7	Bit6	Bit5	Bit4	Bit3	Bit2	Bit1	Bit0
CTX8	CTX7	CTX6	CTX5	CTX4	CTX3	CTX2	CTX1	CTX0	Ground Inactive Rx's	Dead time enabled	FOSC TX Freq	Vbias enable	PXS Mode		

- > **Bit 15: CTx8**
 - 0: CTx8 disabled
 - 1: CTx8 enabled
- > **Bit 14: CTx7**
 - 0: CTx7 disabled
 - 1: CTx7 enabled
- > **Bit 13: CTx6**
 - 0: CTx6 disabled
 - 1: CTx6 enabled
- > **Bit 12: CTx5**
 - 0: CTx5 disabled
 - 1: CTx5 enabled
- > **Bit 11: CTx4**
 - 0: CTx4 disabled
 - 1: CTx4 enabled
- > **Bit 10: CTx3**
 - 0: CTx3 disabled
 - 1: CTx3 enabled
- > **Bit 9: CTx2**
 - 0: CTx2 disabled
 - 1: CTx2 enabled
- > **Bit 8: CTx1**
 - 0: CTx1 disabled
 - 1: CTx1 enabled
- > **Bit 7: CTx0**
 - 0: CTx0 disabled
 - 1: CTx0 enabled
- > **Bit 6: Ground Inactive Rx's**
 - 0: Inactive Rx floating
 - 1: Inactive Rx Grounded
- > **Bit 5: Dead Time Enabled**
 - 0: Deadtime disabled
 - 1: Deadtime enabled
- > **Bit 4: FOSC TX Frequency**
 - 0: Disabled
 - 1: Enabled
- > **Bit 3: Vbias Enabled**
 - 0: Vbias disabled
 - 1: Vbias enabled
- > **Bit 0-2: PXS Mode**
 - 000: None
 - 001: Self-capacitive
 - 010: Projected capacitanceⁱⁱⁱ
 - 011: Mutual inductance

Table A.10: Global Cycle Setup

Register: 0x8A00															
Bit15	Bit14	Bit13	Bit12	Bit11	Bit10	Bit9	Bit8	Bit7	Bit6	Bit5	Bit4	Bit3	Bit2	Bit1	Bit0
Reserved	Maximum counts		Reserved				1	1	00	Auto Mode			Reserved		

ⁱⁱⁱPlease note that the maximum allowed charge transfer frequency (see table A.8) for projected capacitance mode is 1MHz i.e frequency period ≥ 7



- > Bit 13-14: **Maximum counts**
 - 00: 1023
 - 01: 2047
 - 10: 4095
 - 11: 16384
- > Bit 2-3: **Auto Mode**
 - Number of conversions created before each interrupt is generated
 - 00: 4
 - 01: 8
 - 10: 16
 - 11: 32

Table A.11: Coarse and Fine Multipliers Preload

Register: 0x8A01															
Bit15	Bit14	Bit13	Bit12	Bit11	Bit10	Bit9	Bit8	Bit7	Bit6	Bit5	Bit4	Bit3	Bit2	Bit1	Bit0
Reserved		Fine Divider Preload					Reserved					Coarse Divider Preload			

- > Bit 0-4: **Coarse Divider Preload**
 - 5-bit coarse divider preload value
- > Bit 9-13: **Fine Divider Preload**
 - 5-bit fine divider preload value

Table A.12: ATI Compensation Preload

Register: 0x8A02															
Bit15	Bit14	Bit13	Bit12	Bit11	Bit10	Bit9	Bit8	Bit7	Bit6	Bit5	Bit4	Bit3	Bit2	Bit1	Bit0
Reserved						ATI Compensation Preload									

- > Bit 0-9: **ATI Compensation Preload**
 - 10-bit preload value

Table A.13: Channel Setup 0

Register: 0x9000, 0x9100, 0x9200, 0x9300, 0x9400, 0x9500, 0x9600, 0x9700, 0x9800, 0x9900, 0x9A00, 0x9B00, 0x9C00, 0x9D00, 0x9E00, 0x9F00, 0xA000, 0xA100, 0xA200, 0xA300															
Bit15	Bit14	Bit13	Bit12	Bit11	Bit10	Bit9	Bit8	Bit7	Bit6	Bit5	Bit4	Bit3	Bit2	Bit1	Bit0
Exit				Enter				Proximity Threshold							

- > Bit 12-15: **Exit Debounce Value**
 - 0000: Debounce disabled
 - 4-bit value
- > Bit 8-11: **Enter Debounce Value**
 - 0000: Debounce disabled
 - 4-bit value
- > Bit 0-7: **Proximity Threshold**
 - 8-bit value

Table A.14: Channel Setup 1

Register: 0x9001, 0x9101, 0x9201, 0x9301, 0x9401, 0x9501, 0x9601, 0x9701, 0x9801, 0x9901, 0x9A01, 0x9B01, 0x9C01, 0x9D01, 0x9E01, 0x9F01, 0xA001, 0xA101, 0xA201, 0xA301															
Bit15	Bit14	Bit13	Bit12	Bit11	Bit10	Bit9	Bit8	Bit7	Bit6	Bit5	Bit4	Bit3	Bit2	Bit1	Bit0
Touch Hysteresis								Touch Threshold							

- > Bit 8-15: **Touch Hysteresis**
 - Touch hysteresis value determines the release threshold. Release threshold can be determined as follows:
 - $\frac{LTA * \text{Threshold bit value}}{2^8} - \frac{\text{Threshold bit value} * \text{Hysteresis bit value} * LTA}{2^{16}}$
- > Bit 0-7: **Touch Threshold**
 - $\frac{LTA}{256} * 8\text{bit value}$



Table A.15: CRX Select and General Channel Setup(CH0-Ch9)

Register: 0xB000, 0xB100, 0xB200, 0xB300, 0xB400, 0xB500, 0xB600, 0xB700, 0xB800, 0xB900															
Bit15	Bit14	Bit13	Bit12	Bit11	Bit10	Bit9	Bit8	Bit7	Bit6	Bit5	Bit4	Bit3	Bit2	Bit1	Bit0
Reserved		ATI Band		Global halt	Invert	Dual	Enabled	CRX3	CRX2	CRX1	CRX0	Cs Size	Vref 0v5		Proj Bias Select

- > **Bit 12-13: ATI band**
 - 00: 1/16 * Target
 - 01: 1/8 * Target
 - 10: 1/4 * Target
 - 11: 1/2 * Target
- > **Bit 11: Global halt**
 - If enabled, the LTA on the channel will halt when any other channel with global halt enabled, is in a prox/touch state. The function is aimed at slider/ wheel applications
 - 0: Halt disabled
 - 1: Halt enabled
- > **Bit 10: Invert direction**
 - If this bit is enabled, the direction in which a touch will be triggered, is inverted. Bit must be enabled for mutual capacitive mode
 - 0: Invert direction disabled
 - 1: Invert direction enabled
- > **Bit 9: Bi-directional sensing**
 - 0: Bi-directional sensing disabled
 - 1: Bi-directional sensing enabled
- > **Bit 8: Channel Enabled**
 - 0: Channel disabled
 - 1: Channel enabled
- > **Bit 7: CRx3**
 - 0: CRx3 disabled
 - 1: CRx3 enabled
- > **Bit 6: CRx2**
 - 0: CRx2 disabled
 - 1: CRx2 enabled
- > **Bit 5: CRx1**
 - 0: CRx1 disabled
 - 1: CRx1 enabled
- > **Bit 4: CRx0**
 - 0: CRx0 disabled
 - 1: CRx0 enabled
- > **Bit 3: Cs Size**
 - 0: 40pF
 - 1: 80pF
- > **Bit 2: Vref 0.5V Enable**
 - Decrease internal sampling capacitor size
 - 0: Vref 0v5 disabled - C_s = Value chosen in Cs 80pF bit (40pF/80pF)
 - 1: Vref 0.5V enabled - C_s = Half of the value chosen in Cs 80pF bit (40pF/80pF)
- > **Bit 0-1: Projected Bias Select**
 - 00: 2 μ A
 - 01: 5 μ A
 - 10: 7 μ A
 - 11: 10 μ A

Table A.16: CRX Select and General Channel Setup(CH10-Ch19)

Register: 0xBA00, 0xBB00, 0xBC00, 0xBD00, 0xBE00, 0xBF00, 0xC000, 0xC100, 0xC200, 0xC300															
Bit15	Bit14	Bit13	Bit12	Bit11	Bit10	Bit9	Bit8	Bit7	Bit6	Bit5	Bit4	Bit3	Bit2	Bit1	Bit0
Reserved		ATI Band		Global halt	Invert	Dual	Enabled	CRX7	CRX6	CRX5	CRX4	Cs Size	Vref 0v5		Proj Bias Select

- > **Bit 12-13: ATI band**
 - 00: 1/16 * Target
 - 01: 1/8 * Target
 - 10: 1/4 * Target
 - 11: 1/2 * Target



- > **Bit 11: Global halt**
 - If enabled, the LTA on the channel will halt when any other channel with global halt enabled, is in a prox/touch state. The function is aimed at slider/ wheel applications
 - 0: Halt disabled
 - 1: Halt enabled
- > **Bit 10: Invert Direction**
 - If this bit is enabled, the direction in which a touch will be triggered, is inverted. Bit must be enabled for mutual capacitive mode
 - 0: Invert direction disabled
 - 1: Invert direction enabled
- > **Bit 9: Bi-directional sensing**
 - 0: Bi-directional sensing disabled
 - 1: Bi-directional sensing enabled
- > **Bit 8: Channel Enabled**
 - 0: Channel disabled
 - 1: Channel enabled
- > **Bit 7: CRx7**
 - 0: CRx7 disabled
 - 1: CRx7 enabled
- > **Bit 6: CRx6**
 - 0: CRx6 disabled
 - 1: CRx6 enabled
- > **Bit 5: CRx5**
 - 0: CRx5 disabled
 - 1: CRx5 enabled
- > **Bit 4: CRx4**
 - 0: CRx4 disabled
 - 1: CRx4 enabled
- > **Bit 3: Cs Size**
 - 0: 40pF
 - 1: 80pF
- > **Bit 2: Vref 0.5V Enable**
 - Decrease internal sampling capacitor size
 - 0: Vref 0.5V disabled - C_s = Value chosen in Cs 80pF bit (40pF/80pF)
 - 1: Vref 0.5V enabled - C_s = Half of the value chosen in Cs 80pF bit (40pF/80pF)
- > **Bit 0-1: Projected Bias Select**
 - 00: $2\mu A$
 - 01: $5\mu A$
 - 10: $7\mu A$
 - 11: $10\mu A$

Table A.17: ATI Base and Target

Register: 0xB001, 0xB101, 0xB201, 0xB301, 0xB401, 0xB501, 0xB601, 0xB701, 0xB801, 0xB901, 0xBA01, 0xBB01, 0xBC01, 0xBD01, 0xBE01, 0xBF01, 0xC001, 0xC101, 0xC201, 0xC301

Bit15	Bit14	Bit13	Bit12	Bit11	Bit10	Bit9	Bit8	Bit7	Bit6	Bit5	Bit4	Bit3	Bit2	Bit1	Bit0
ATI Target						ATI Base					ATI Mode				

- > **Bit 8-15: ATI Target**
 - 8-bit value * 8
- > **Bit 3-7: ATI Base**
 - 5-bit value * 16
- > **Bit 0-2: ATI Mode**
 - 000: ATI Disabled
 - 001: Compensation only
 - 010: ATI from compensation divider
 - 011: ATI from fine fractional divider
 - 100: ATI from coarse fractional divider
 - 101: Full ATI



Table A.18: Fine and Coarse Multipliers

Register: 0xB002, 0xB102, 0xB202, 0xB302, 0xB402, 0xB502, 0xB602, 0xB702, 0xB802, 0xB902, 0xBA02, 0xBB02, 0xBC02, 0xBD02, 0xBE02, 0xBF02, 0xC002, 0xC102, 0xC202, 0xC302

Bit15	Bit14	Bit13	Bit12	Bit11	Bit10	Bit9	Bit8	Bit7	Bit6	Bit5	Bit4	Bit3	Bit2	Bit1	Bit0
Reserved		Fine Fractional Divider				Coarse Fractional Multiplier				Coarse Fractional Divider					

- > Bit 9-13: **Fine Fractional Divider**
 - 5-bit value
- > Bit 5-8: **Coarse Fractional Multiplier**
 - 4-bit value
- > Bit 0-4: **Coarse Fractional Divider**
 - 5-bit value

Table A.19: ATI Compensation

Register: 0xB003, 0xB103, 0xB203, 0xB303, 0xB403, 0xB503, 0xB603, 0xB703, 0xB803, 0xB903, 0xBA03, 0xBB03, 0xBC03, 0xBD03, 0xBE03, 0xBF03, 0xC003, 0xC103, 0xC203, 0xC303

Bit15	Bit14	Bit13	Bit12	Bit11	Bit10	Bit9	Bit8	Bit7	Bit6	Bit5	Bit4	Bit3	Bit2	Bit1	Bit0
Compensation Divider					Res	Compensation Selection									

- > Bit 11-15: **Compensation Divider**
 - 5-bit value
- > Bit 0-9: **Compensation Selection**
 - 10-bit value

Table A.20: Filter Betas

Register: 0xC400

Bit15	Bit14	Bit13	Bit12	Bit11	Bit10	Bit9	Bit8	Bit7	Bit6	Bit5	Bit4	Bit3	Bit2	Bit1	Bit0
LTA Low Power Beta				LTA Normal Power Beta				Counts Low Power Beta				Counts Normal Power Beta			

- > Bit 12-15: **LTA Low Power Beta Filter Value**
 - 4-bit value
- > Bit 8-11: **LTA Normal Power Beta Filter Value**
 - 4-bit value
- > Bit 4-7: **Counts Low Power Beta Filter Value**
 - 4-bit value
- > Bit 0-3: **Counts Normal Power Beta Filter Value**
 - 4-bit value

Table A.21: Fast Filter Betas

Register: 0xC401

Bit15	Bit14	Bit13	Bit12	Bit11	Bit10	Bit9	Bit8	Bit7	Bit6	Bit5	Bit4	Bit3	Bit2	Bit1	Bit0
Reserved						LTA Low Power Fast Beta				LTA Normal Power Fast Beta					

- > Bit 4-7: **LTA Low Power Fast Beta Filter Value**
 - 4-bit value
- > Bit 0-3: **LTA Normal Power Fast Beta Filter Value**
 - 4-bit value

Table A.22: Control Settings

Register: 0xD0

Bit15	Bit14	Bit13	Bit12	Bit11	Bit10	Bit9	Bit8	Bit7	Bit6	Bit5	Bit4	Bit3	Bit2	Bit1	Bit0
Reserved								Interface type		Power mode		Reseed	Re-ATI	Soft Reset	ACK Reset

- > Bit 6-7: **Interface Selection**
 - 00: I²C streaming
 - 01: I²C event mode
 - 10: I²C Stream in touch
- > Bit 4-5: **Power Mode Selection**
 - 00: Normal power
 - 01: Low power



- 10: Ultra-low Power
- 11: Automatic power mode switching
- > **Bit 3: Execute Reseed Command**
 - 0: Do not reseed
 - 1: Reseed
- > **Bit 2: Execute ATI Command**
 - 0: Do not ATI
 - 1: ATI
- > **Bit 1: Soft Reset**
 - 0: Do not reset device
 - 1: Reset device
- > **Bit 0: Acknowledge Reset Command**
 - 0: Do not acknowledge reset
 - 1: Acknowledge reset

Table A.23: Event Enable

Register: 0xDA															
Bit15	Bit14	Bit13	Bit12	Bit11	Bit10	Bit9	Bit8	Bit7	Bit6	Bit5	Bit4	Bit3	Bit2	Bit1	Bit0
Reserved		Power event	ATI event	Reserved										Touch event	Prox event

- > **Bit 13: Power Event**
 - 0: Power event masked
 - 1: Power event enabled
- > **Bit 12: ATI Event**
 - 0: ATI event masked
 - 1: ATI event enabled
- > **Bit 1: Touch Event**
 - 0: Touch event masked
 - 1: Touch event enabled
- > **Bit 0: Prox Event**
 - 0: Prox event masked
 - 1: Prox event enabled

Table A.24: I²C Communication

Register: 0xDB															
Bit15	Bit14	Bit13	Bit12	Bit11	Bit10	Bit9	Bit8	Bit7	Bit6	Bit5	Bit4	Bit3	Bit2	Bit1	Bit0
Reserved												Stop re-ceived	Start re-ceived	RW check dis-abled	Stop bit dis-abled

- > **Bit 3: Stop Received Flag**
 - 0: No I²C stop received
 - 1: I²C stop received
- > **Bit 2: Start Received Flag**
 - 0: No I²C start received
 - 1: I²C start received
- > **Bit 1: RW Check Disabled**
 - 0: Write not allowed to read only registers
 - 1: Read and write allowed to read only registers
- > **Bit 0: Stop Bit Disabled**
 - 0: I²C communication window terminated by stop bit
 - 1: I²C communication window not terminated by stop bit. Send 0xFF to slave address to terminate window

Table A.25: I²C Communication Timeout

Register: 0xDC															
Bit15	Bit14	Bit13	Bit12	Bit11	Bit10	Bit9	Bit8	Bit7	Bit6	Bit5	Bit4	Bit3	Bit2	Bit1	Bit0
I ² C Communication Timeout															

- > **Note:** To write to this register, the register's address (0xDC) must be commanded explicitly before writing data i.e. in a separate I²C write setup command.



> **Bit 0-15: I²C Communication Timeout**

- 16-bit value [ms]
- Default = 500ms
- Range: 0 - 64535ms



B Revision History

Release	Date	Changes
v0.3	April 2021	Initial release
v1.0	January 2022	Tape and Reel information added Firmware version changed to v1.45 Bit definition for Read-write check corrected Changed Communication protocol description Read-write permissions added in memory map Stop-bit disable bit definition corrected Revision history added Force communication section added Register 0xDC added
v1.1	April 2022	VREGA electrical characteristics corrected Bit and register names changed to follow user guide and GUI conventions Example of h file from GUI and program flow diagram added. 14MHz option and order code 102 added VDD capacitor values updated on reference schematic

C Known Issues

V1.43 and earlier: Polling during start-up may result in device lockup. Suspend polling for at least 25ms after receiving a NACK.

The I²C initialize can fail if one of the I²C lines have been kept low for longer than 50ms.



Contact Information

	USA	Asia	South Africa
Physical Address	11940 Jollyville Rd Suite 120-S Austin TX-78759 USA	Room501A, Block A T-Share International Centre Taoyuan Road Nanshan District Shenzhen Guangdong Province PRC	1 Bergsig Avenue Paarl 7646 South Africa South Africa
Postal Address	11940 Jollyville Rd Suite 120-S Austin TX-78759 USA	Room501A, Block A T-Share International Centre Taoyuan Road Nanshan District Shenzhen Guangdong Province PRC	PO Box 3534 Paarl 7620 South Africa South Africa
Tel	+1 512 538 1995	+86 755 8303 5294 ext 808	+27 21 863 0033
Email	info@azoteq.com	info@azoteq.com	info@azoteq.com

*Visit www.azoteq.com
for a list of distributors and worldwide representation.*

Patents as listed on www.azoteq.com/patents-trademarks/ may relate to the device or usage of the device.

Azoteq®, Crystal Driver®, IQ Switch®, ProxSense®, ProxFusion®, LightSense™, SwipeSwitch™, and the  logo are trademarks of Azoteq.

The information in this Datasheet is believed to be accurate at the time of publication. Azoteq uses reasonable effort to maintain the information up-to-date and accurate, but does not warrant the accuracy, completeness or reliability of the information contained herein. All content and information are provided on an "as is" basis only, without any representations or warranties, express or implied, of any kind, including representations about the suitability of these products or information for any purpose. Azoteq disclaims all warranties and conditions with regard to these products and information, including but not limited to all implied warranties and conditions of merchantability, fitness for a particular purpose, title and non-infringement of any third party intellectual property rights. Azoteq assumes no liability for any damages or injury arising from any use of the information or the product or caused by, without limitation, failure of performance, error, omission, interruption, defect, delay in operation or transmission, even if Azoteq has been advised of the possibility of such damages. The applications mentioned herein are used solely for the purpose of illustration and Azoteq makes no warranty or representation that such applications will be suitable without further modification, nor recommends the use of its products for application that may present a risk to human life due to malfunction or otherwise. Azoteq products are not authorized for use as critical components in life support devices or systems. No licenses to patents are granted, implicitly, express or implied, by estoppel or otherwise, under any intellectual property rights. In the event that any of the abovementioned limitations or exclusions does not apply, it is agreed that Azoteq's total liability for all losses, damages and causes of action (in contract, tort (including without limitation, negligence) or otherwise) will not exceed the amount already paid by the customer for the products. Azoteq reserves the right to alter its products, to make corrections, deletions, modifications, enhancements, improvements and other changes to the content and information, its products, programs and services at any time or to move or discontinue any contents, products, programs or services without prior notification. For the most up-to-date information and binding Terms and Conditions please refer to www.azoteq.com.