
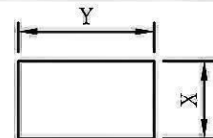
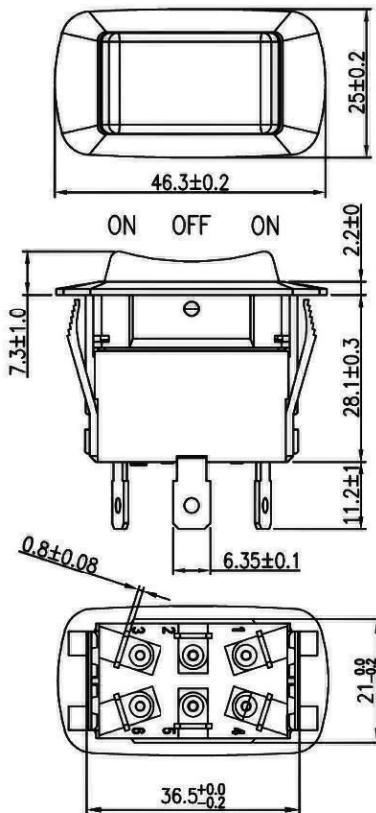
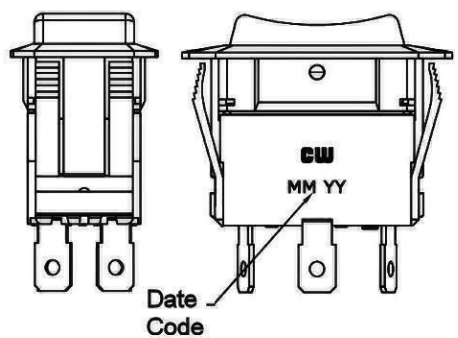


THIS INFORMATION IS CONFIDENTIAL AND PROPRIETARY TO CW INDUSTRIES INCORPORATED AND ITS AFFILIATES. IT MAY NOT BE DISCLOSED TO ANYONE, OTHER THAN CW INDUSTRIES PERSONNEL, WITHOUT WRITTEN AUTHORIZATION FROM CW INDUSTRIES INCORPORATED, SOUTHAMPTON, PENNSYLVANIA USA.

Rating	20A 125VAC 10A 250VAC 16A 125VAC 3/4HP  10A 277VAC 3/4HP	Mounting Hole		Circuit Diagram	
	21A 14VDC				
Contact Resistance	50m ohm Max.			SEE CHART	
Insulation Resistance	DC 500V 100M ohm Min.				
Dielectric Strength	AC 1500V 1 minute	Thickness(mm)	X(mm)		Y(mm)
Operation Temperature	-20°~+85°	0.75~1.25	21.2±0.1		36.6 ^{+0.2}
Switch Function	SEE CHART	1.25~2.0			36.8 ^{+0.2}
		2.0~3.0		37.0 ^{+0.2}	



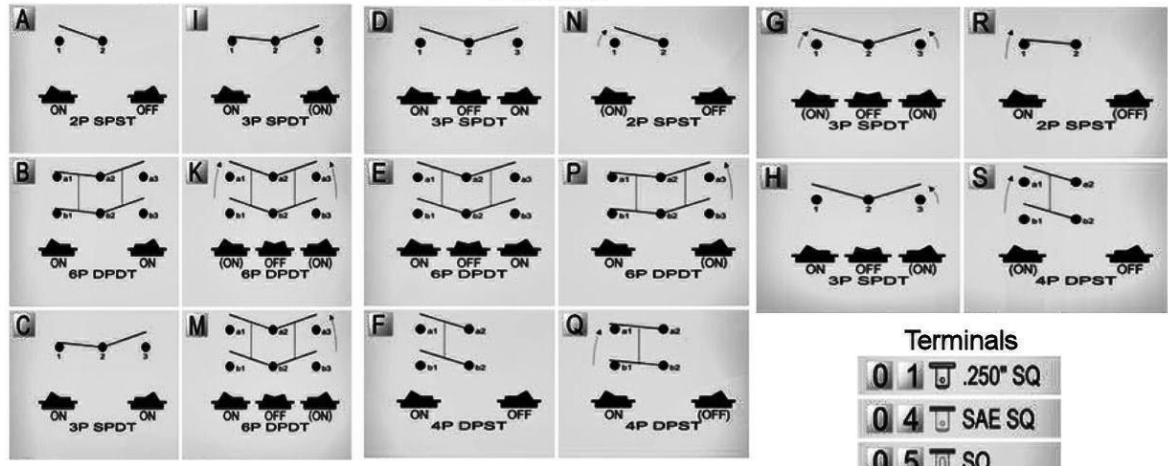
Frames are Nylon with glass fiber (UL flame: 94HB).
 Terminals are Silver plated brass.
 Illuminated actuators are molded in PC, available in Red, Amber or Green Colors.
 Waterproof and dustproof to fit IP-56.



Button Styles

- 1
- 2
- 4
- 5
- 6
- 7

Function



Terminals

0 1	□	.250" SQ
0 4	□	SAE SQ
0 5	□	SO
0 8	□	SC 6-32UNC

() = Momentary Function

RoHS Compliant

CW INDUSTRIES
 Southampton, Pa. 18966
 Tel 215.355.7080/www.cwind.com

Date Drawn: 1/21/11
 Rev. 0
 Title: **ROCKER SWITCH**

Unit: mm
 Checked By: G.Guld
 CW P/N: **GRB260XXSERIES**