

DDR4 SDRAM RDIMM Addendum

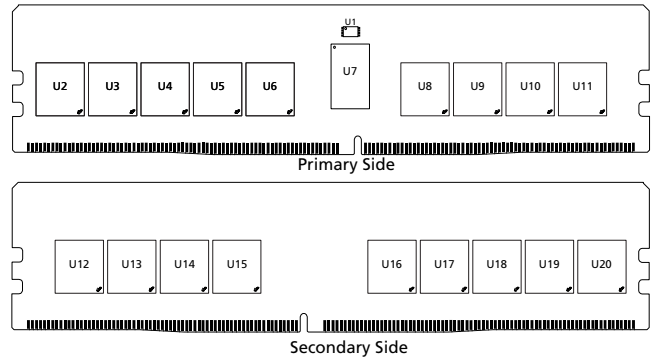
MTA18ASF4G72PZ – 32GB

Features

Information provided here is in addition to or supersedes information provided in the Micron DDR4 RDIMM Core data sheet.

- DDR4 functionality and operations supported as defined in the component data sheet
- Features and specifications defined in the Micron DDR4 RDIMM Core data sheet
- 288-pin, registered dual in-line memory module (RDIMM)
- Fast data transfer rates: PC4-3200, PC4-2933
- 32GB (4 Gig x 72)
- Single-rank
- 16 internal banks; 4 groups of 4 banks each

Figure 1: 288-Pin RDIMM



Options

- Operating temperature
 - Commercial ($0^{\circ}\text{C} \leq T_{\text{OPER}} \leq +95^{\circ}\text{C}$)
- Package
 - 288-pin DIMM (halogen-free)
- Frequency/CAS latency
 - 0.625ns @ CL = 22 (DDR4-3200)
 - 0.682ns @ CL = 21 (DDR4-2933)

Marking

None
Z
-3G2
-2G9

Table 1: Addressing

Parameter	32GB
Row address	256K A[17:0]
Column address	1K A[9:0]
Device bank group address	4 BG[1:0]
Device bank address per group	4 BA[1:0]
Device configuration	16Gb (4 Gig x 4), 16 banks
Module rank address	1 CS0_n



Table 2: Part Numbers and Timing Parameters – 32GB Modules

Base device: MT40A4G4,¹ 16Gb DDR4 SDRAM

Part Number ²	Module Density	Configuration	Module Bandwidth	Memory Clock/ Data Rate	Clock Cycles (CL-nRCD-nRP)
MTA18ASF4G72PZ-3G2__	32GB	4 Gig x 72	25.6 GB/s	0.625ns/3200 MT/s	22-22-22
MTA18ASF4G72PZ-2G9__	32GB	4 Gig x 72	23.47 GB/s	0.682/2933 MT/s	21-21-21

- Notes: 1. The data sheet for the base device can be found on micron.com.
2. All part numbers end with a two-place code (not shown) that designates component and PCB revisions. Consult factory for current revision codes. Example: MTA18ASF4G72PZ-3G2E1.



Important Notes and Warnings

Micron Technology, Inc. ("Micron") reserves the right to make changes to information published in this document, including without limitation specifications and product descriptions. This document supersedes and replaces all information supplied prior to the publication hereof. You may not rely on any information set forth in this document if you obtain the product described herein from any unauthorized distributor or other source not authorized by Micron.

Automotive Applications. Products are not designed or intended for use in automotive applications unless specifically designated by Micron as automotive-grade by their respective data sheets. Distributor and customer/distributor shall assume the sole risk and liability for and shall indemnify and hold Micron harmless against all claims, costs, damages, and expenses and reasonable attorneys' fees arising out of, directly or indirectly, any claim of product liability, personal injury, death, or property damage resulting directly or indirectly from any use of non-automotive-grade products in automotive applications. Customer/distributor shall ensure that the terms and conditions of sale between customer/distributor and any customer of distributor/customer (1) state that Micron products are not designed or intended for use in automotive applications unless specifically designated by Micron as automotive-grade by their respective data sheets and (2) require such customer of distributor/customer to indemnify and hold Micron harmless against all claims, costs, damages, and expenses and reasonable attorneys' fees arising out of, directly or indirectly, any claim of product liability, personal injury, death, or property damage resulting from any use of non-automotive-grade products in automotive applications.

Critical Applications. Products are not authorized for use in applications in which failure of the Micron component could result, directly or indirectly in death, personal injury, or severe property or environmental damage ("Critical Applications"). Customer must protect against death, personal injury, and severe property and environmental damage by incorporating safety design measures into customer's applications to ensure that failure of the Micron component will not result in such harms. Should customer or distributor purchase, use, or sell any Micron component for any critical application, customer and distributor shall indemnify and hold harmless Micron and its subsidiaries, subcontractors, and affiliates and the directors, officers, and employees of each against all claims, costs, damages, and expenses and reasonable attorneys' fees arising out of, directly or indirectly, any claim of product liability, personal injury, or death arising in any way out of such critical application, whether or not Micron or its subsidiaries, subcontractors, or affiliates were negligent in the design, manufacture, or warning of the Micron product.

Customer Responsibility. Customers are responsible for the design, manufacture, and operation of their systems, applications, and products using Micron products. ALL SEMICONDUCTOR PRODUCTS HAVE INHERENT FAILURE RATES AND LIMITED USEFUL LIVES. IT IS THE CUSTOMER'S SOLE RESPONSIBILITY TO DETERMINE WHETHER THE MICRON PRODUCT IS SUITABLE AND FIT FOR THE CUSTOMER'S SYSTEM, APPLICATION, OR PRODUCT. Customers must ensure that adequate design, manufacturing, and operating safeguards are included in customer's applications and products to eliminate the risk that personal injury, death, or severe property or environmental damages will result from failure of any semiconductor component.

Limited Warranty. In no event shall Micron be liable for any indirect, incidental, punitive, special or consequential damages (including without limitation lost profits, lost savings, business interruption, costs related to the removal or replacement of any products or rework charges) whether or not such damages are based on tort, warranty, breach of contract or other legal theory, unless explicitly stated in a written agreement executed by Micron's duly authorized representative.



DQ Map

Table 3: Component-to-Module DQ Map

Component Reference Number	Component DQ	Module DQ	Module Pin Number	Component Reference Number	Component DQ	Module DQ	Module Pin Number
U2	0	3	157	U3	0	11	168
	1	1	150		1	9	161
	2	2	12		2	10	23
	3	0	5		3	8	16
U4	0	19	179	U5	0	27	190
	1	17	172		1	25	183
	2	18	34		2	26	45
	3	16	27		3	24	38
U6	0	CB3	201	U8	0	35	249
	1	CB1	194		1	33	242
	2	CB2	56		2	34	104
	3	CB0	49		3	32	97
U9	0	43	260	U10	0	51	271
	1	41	253		1	49	264
	2	42	115		2	50	126
	3	40	108		3	48	119
U11	0	59	282	U12	0	60	128
	1	57	275		1	62	135
	2	58	137		2	61	273
	3	56	130		3	63	280
U13	0	52	117	U14	0	44	106
	1	54	124		1	46	113
	2	53	262		2	45	251
	3	55	269		3	47	258
U15	0	36	95	U16	0	CB4	47
	1	38	102		1	CB6	54
	2	37	240		2	CB5	192
	3	39	247		3	CB7	199
U17	0	28	36	U18	0	20	25
	1	30	43		1	22	32
	2	29	181		2	21	170
	3	31	188		3	23	177
U19	0	12	14	U20	0	4	3
	1	14	21		1	6	10
	2	13	159		2	5	148
	3	15	166		3	7	155



I_{DD} Specifications

Table 4: DDR4 I_{DD} Specifications and Conditions – 32GB (Die Revision E)

Values are for the MT40A4G4 DDR4 SDRAM only and are computed from values specified in the 16Gb (4 Gig x 4) component data sheet.

Parameter	Symbol	3200	2933	Units
One bank ACTIVATE-PRECHARGE current	I _{DD0}	990	972	mA
One bank ACTIVATE-PRECHARGE, word line boost, I _{pp} current	I _{PP0}	54	54	mA
One bank ACTIVATE-READ-PRECHARGE current	I _{DD1}	1188	1170	mA
Precharge standby current	I _{DD2N}	810	792	mA
Precharge standby ODT current	I _{DD2NT}	918	900	mA
Precharge power-down current	I _{DD2P}	684	684	mA
Precharge quite standby current	I _{DD2Q}	756	756	mA
Active standby current	I _{DD3N}	1080	1062	mA
Active standby I _{pp} current	I _{PP3N}	36	36	mA
Active power-down current	I _{DD3P}	864	846	mA
Burst read current	I _{DD4R}	2286	2142	mA
Burst write current	I _{DD4W}	1890	1818	mA
Burst refresh current (1x REF)	I _{DD5R}	1224	1224	mA
Burst refresh I _{pp} current (1x REF)	I _{PP5R}	72	72	mA
Self refresh current: Normal temperature range (0°C to 85°C)	I _{DD6N}	954	954	mA
Self refresh current: Extended temperature range (0°C to 95°C)	I _{DD6E}	2034	2034	mA
Self refresh current: Reduced temperature range (0°C to 45°C)	I _{DD6R}	360	360	mA
Auto self refresh current (25°C)	I _{DD6A}	198	198	mA
Auto self refresh current (45°C)	I _{DD6A}	360	360	mA
Auto self refresh current (75°C)	I _{DD6A}	918	918	mA
Auto self refresh current (95°C)	I _{DD6A}	2034	2034	mA
Auto self refresh I _{pp} current	I _{PP6X}	108	108	mA
Bank interleave read current	I _{DD7}	3546	3510	mA
Bank interleave read I _{pp} current	I _{PP7}	162	162	mA
Maximum power-down current	I _{DD8}	648	648	mA



32GB (x72, ECC, SR) 288-Pin DDR4 RDIMM I_{DD} Specifications

Table 5: DDR4 I_{DD} Specifications and Conditions – 32GB (Die Revision B)

Values are for the MT40A4G4 DDR4 SDRAM only and are computed from values specified in the 16Gb (4 Gig x 4) component data sheet.

Parameter	Symbol	3200	2933	Units
One bank ACTIVATE-PRECHARGE current	I _{DD0}	1080	1062	mA
One bank ACTIVATE-PRECHARGE, word line boost, I _{pp} current	I _{PP0}	72	72	mA
One bank ACTIVATE-READ-PRECHARGE current	I _{DD1}	1260	1242	mA
Precharge standby current	I _{DD2N}	936	918	mA
Precharge standby ODT current	I _{DD2NT}	1008	990	mA
Precharge power-down current	I _{DD2P}	774	774	mA
Precharge quite standby current	I _{DD2Q}	846	846	mA
Active standby current	I _{DD3N}	1404	1386	mA
Active standby I _{pp} current	I _{PP3N}	54	54	mA
Active power-down current	I _{DD3P}	1242	1224	mA
Burst read current	I _{DD4R}	3096	2952	mA
Burst write current	I _{DD4W}	2952	2826	mA
Burst refresh current (1x REF)	I _{DD5R}	1422	1404	mA
Burst refresh I _{pp} current (1x REF)	I _{PP5R}	90	90	mA
Self refresh current: Normal temperature range (0°C to 85°C)	I _{DD6N}	1206	1206	mA
Self refresh current: Extended temperature range (0°C to 95°C)	I _{DD6E}	2178	2178	mA
Self refresh current: Reduced temperature range (0°C to 45°C)	I _{DD6R}	522	522	mA
Auto self refresh current (25°C)	I _{DD6A}	180	180	mA
Auto self refresh current (45°C)	I _{DD6A}	522	522	mA
Auto self refresh current (75°C)	I _{DD6A}	1098	1098	mA
Auto self refresh current (95°C)	I _{DD6A}	2178	2178	mA
Auto self refresh I _{pp} current	I _{PP6X}	198	198	mA
Bank interleave read current	I _{DD7}	4284	4158	mA
Bank interleave read I _{pp} current	I _{PP7}	198	198	mA
Maximum power-down current	I _{DD8}	720	720	mA



32GB (x72, ECC, SR) 288-Pin DDR4 RDIMM I_{DD} Specifications

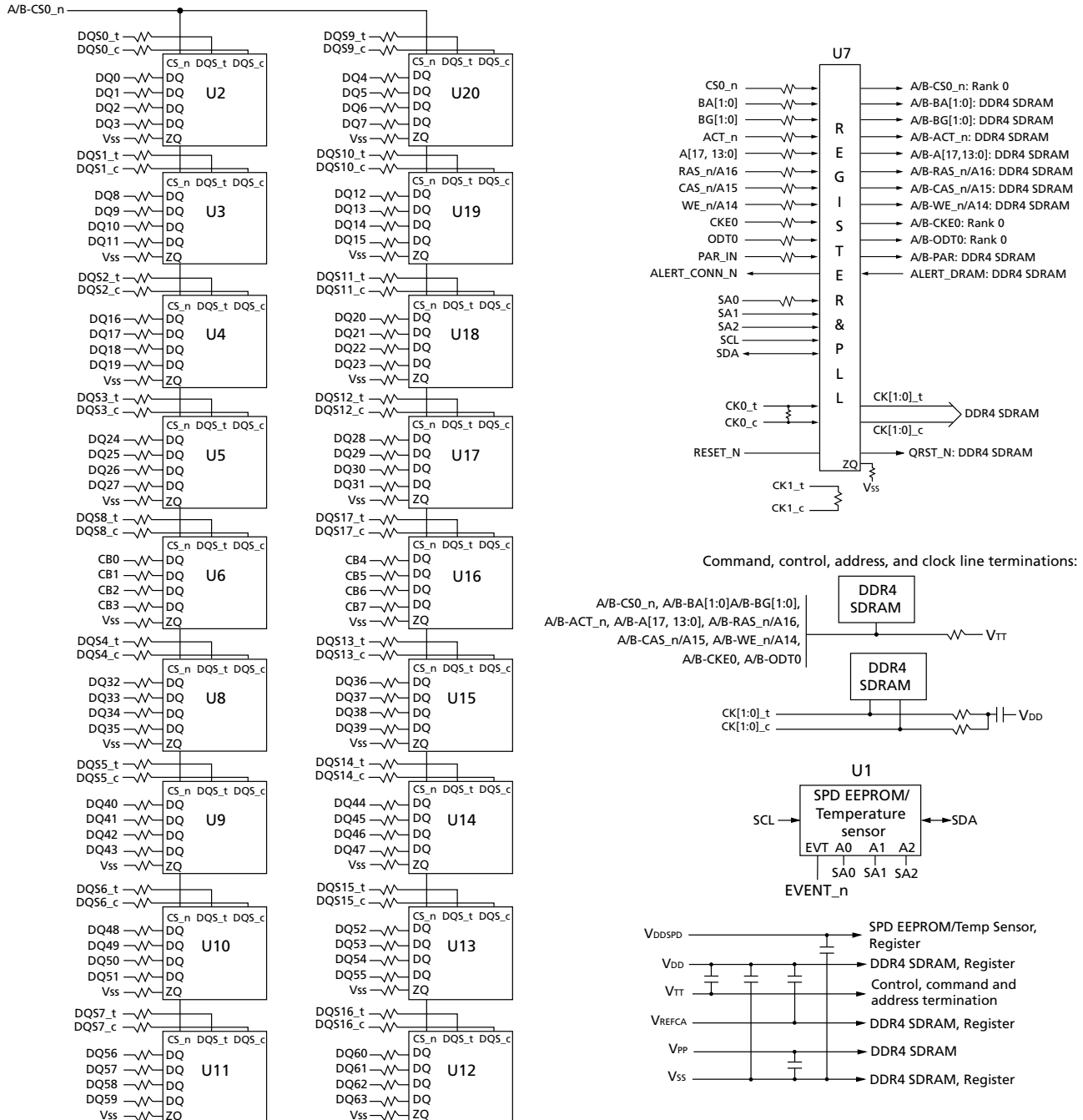
Table 6: DDR4 I_{DD} Specifications and Conditions – 32GB (Die Revision F)

Values are for the MT40A4G4 DDR4 SDRAM only and are computed from values specified in the 16Gb (4 Gig x 4) component data sheet.

Parameter	Symbol	3200	2933	Units
One bank ACTIVATE-PRECHARGE current	I _{DD0}	990	972	mA
One bank ACTIVATE-PRECHARGE, word line boost, I _{pp} current	I _{PP0}	54	54	mA
One bank ACTIVATE-READ-PRECHARGE current	I _{DD1}	1188	1170	mA
Precharge standby current	I _{DD2N}	810	792	mA
Precharge standby ODT current	I _{DD2NT}	918	900	mA
Precharge power-down current	I _{DD2P}	684	684	mA
Precharge quite standby current	I _{DD2Q}	756	756	mA
Active standby current	I _{DD3N}	1080	1062	mA
Active standby I _{pp} current	I _{PP3N}	36	36	mA
Active power-down current	I _{DD3P}	864	846	mA
Burst read current	I _{DD4R}	2286	2142	mA
Burst write current	I _{DD4W}	1728	1656	mA
Burst refresh current (1x REF)	I _{DD5R}	1224	1224	mA
Burst refresh I _{pp} current (1x REF)	I _{PP5R}	72	72	mA
Self refresh current: Normal temperature range (0°C to 85°C)	I _{DD6N}	954	954	mA
Self refresh current: Extended temperature range (0°C to 95°C)	I _{DD6E}	1620	1620	mA
Self refresh current: Reduced temperature range (0°C to 45°C)	I _{DD6R}	360	360	mA
Auto self refresh current (25°C)	I _{DD6A}	198	198	mA
Auto self refresh current (45°C)	I _{DD6A}	360	360	mA
Auto self refresh current (75°C)	I _{DD6A}	918	918	mA
Auto self refresh current (95°C)	I _{DD6A}	1620	1620	mA
Auto self refresh I _{pp} current	I _{PP6X}	108	108	mA
Bank interleave read current	I _{DD7}	4860	4590	mA
Bank interleave read I _{pp} current	I _{PP7}	198	198	mA
Maximum power-down current	I _{DD8}	648	648	mA

Functional Block Diagram

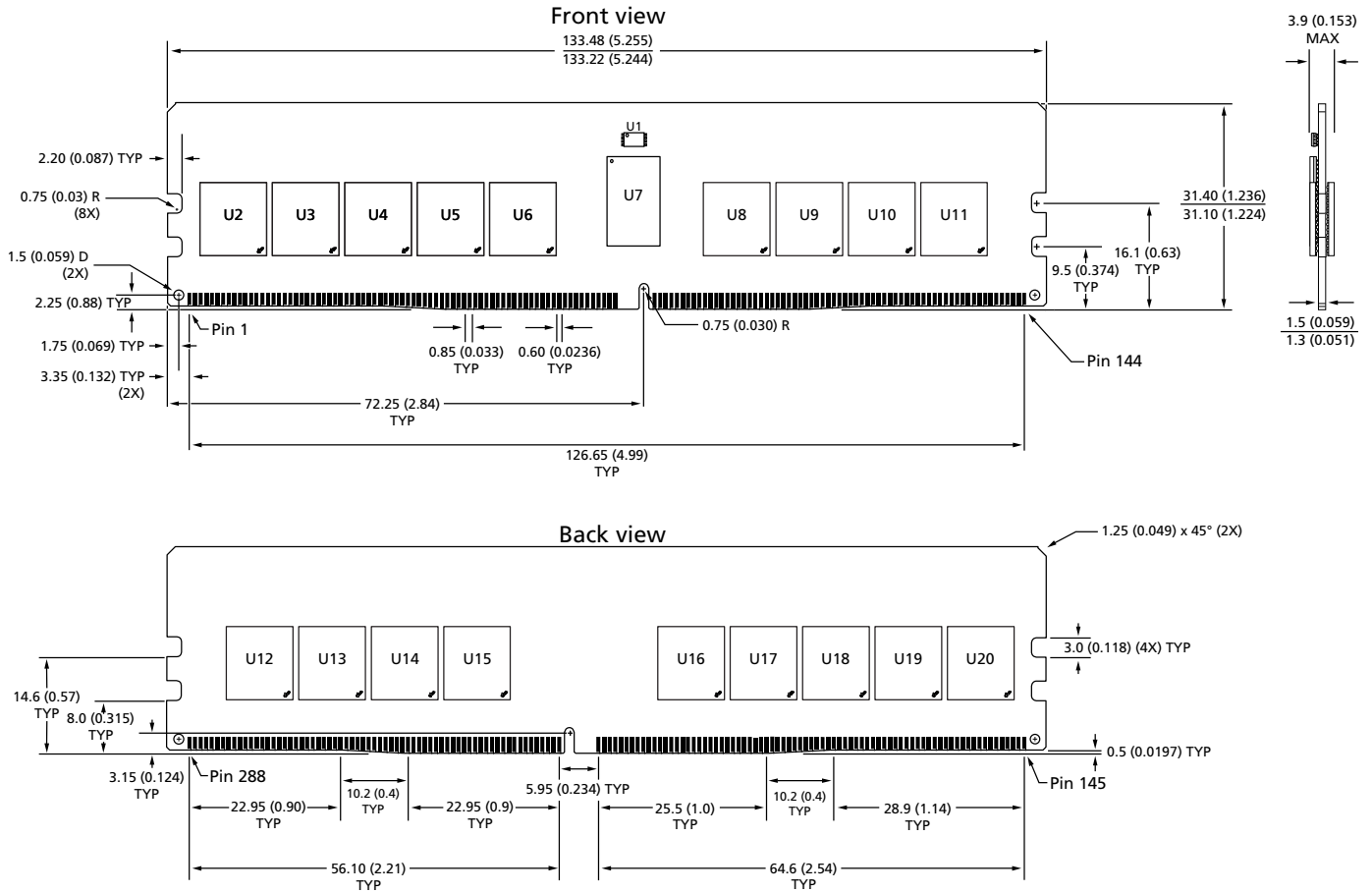
Figure 2: Functional Block Diagram



Note: 1. The ZQ ball on each DDR4 component is connected to an external $240\Omega \pm 1\%$ resistor that is tied to ground. It is used for the calibration of the component's ODT and output driver.

Module Dimensions

Figure 3: 288-Pin DDR4 RDIMM, RC-C3



- Notes: 1. All dimensions are in millimeters (inches); MAX/MIN or typical (TYP) where noted.
 2. The dimensional diagram is for reference only.
 3. Tolerance on all dimensions $\pm 0.15\text{mm}$ unless otherwise specified.

8000 S. Federal Way, P.O. Box 6, Boise, ID 83707-0006
 208-368-4000, micron.com/support

Micron and the Micron logo are trademarks of Micron Technology, Inc.
 All other trademarks are the property of their respective owners.

This data sheet contains minimum and maximum limits specified over the power supply and temperature range set forth herein. Although considered final, these specifications are subject to change, as further product development and data characterization sometimes occur.