

6

5

4

3

2

1

F

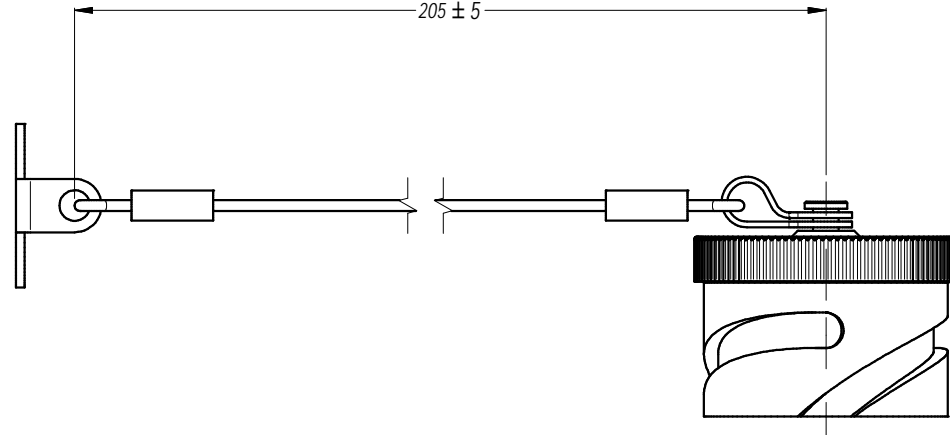
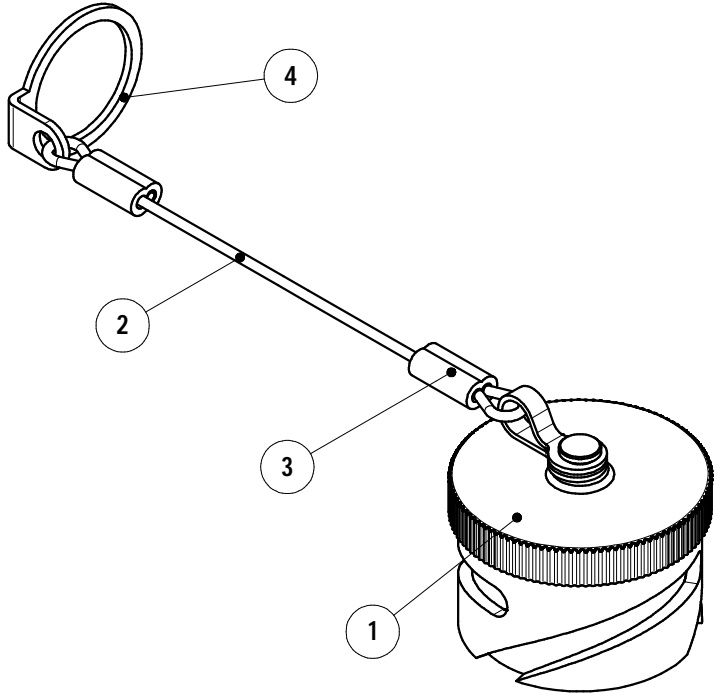
E

D

C

B

A



P/N	COMPONENTS
MP-25042-13L	MP-4106-13S
MP-25042-19L	MP-4106-19S
MP-25042-25L	MP-4106-25S
MP-25042-37L	MP-4106-37S
MP-25042-54L	MP-4106-54S
MP-25042-85L	MP-4106-85S
MP-25042-150L	MP-4106-150S

4	PG RING	1
3	CRIMP SWAGE	2
2	LANYARD PVC COATED OD 1.5mm	1
1	DUST CAP FOR PLUG MP-4106	1
ITEM	DESCRIPTION	QTY
Parts List		

UNLESS OTHERWISE SPECIFIED TOLERANCE TO BE:		THIS DOCUMENT IS THE PROPERTY OF AMPHENOL AUSTRALIA PTY. LTD. NO PART THEREOF MAY BE REPRODUCED AND USED WITHOUT THE PRIOR WRITTEN CONSENT OF THE OWNER			
LINEAR		ANGULAR		CAD FILE: 50250020432110	DRN: A.O
X ± N/A	X' ± 1	X' ± 30'	X' ± 15'	DATE: 08/04/08	DATE: 08/04/08
X.X ± 2	X.X' ± 30'	X.XX ± 05	X.XX' ± 15'	DATE: 08/04/08	DATE: 08/04/08
BREAK ALL SHARP EDGES AND REMOVE ALL BURRS		MATL: ----	CKD: B.Z	APP'D: P.M	DATE: 08/04/08
DO NOT SCALE		FINISH: ----	SCALE: 1:1	PART No: MP-25042-**L	SIZE: A4
DIMENSIONS IN MILLIMETRES		THIRD ANGLE PROJECTION			

0	FIRST ISSUE	08/04/08	A.O	8740
REV	DESCRIPTION	DATE	BY	CHG/No
REVISION HISTORY				
TITLE: DUST CAP FOR MP-4106		Amphenol Amphenol Australia Pty Ltd, 2 Fiveways Blvd, Keysborough, Vic3173		
DRAWING NO. 50250020-432-1				

6

5

4

3

2

1

A