



# KLUCZ / PN KEY ENGINEERING PN

**E 4 5 1 X X X X X X X X X X**

E - Packing without bag  
W - Single Packing

Number of wires:  
1 - 2 Wires

Cable type:  
See Table

Head Colour:  
G - Grey  
N - Black  
A - CSA-UL Black  
B - CSA-UL Grey

Cable Length in[cm]  
050 = 50cm  
300 = 300cm  
10K = 1000cm

Wiring Configuration:  
See sheet 3

Voltage and LED Colour

Red LED  
1 = 12V  
2 = 24V  
3 = 48V  
4 = 115V  
5 = 230V

Green LED  
A = 12V  
B = 24V  
C = 48V  
D = 115V  
E = 230V

Yellow Led  
G = 12V  
H = 24V  
K = 48V  
L = 115V  
M = 230V

Earth PIN location (see insert orientation table):  
1 = Double Earth on H6 & H12  
2 = Earth on H12  
3 = Earth on H3  
4 = Double Earth on H3 & H9  
6 = Earth on H6  
9 = Earth on H9

Type of Gasket and Screw (see sheet 1):

- 1 = NBR Profile Gasket + Fixing Screw M3x25mm
- 2 = NBR Flat Gasket + Fixing Screw M3x25mm
- 3 = Silicone Profile Gasket + Fixing Screw M3x25mm
- 4 = Silicone Flat Gasket + Fixing Screw M3x25mm
- P = NBR Integrated Gasket + Fixing Screw with Washer M3x27mm Assembled on Connector
- R = NBR Integrated Gasket + Fixing Screw with Washer M3x27mm NOT Assembled on Connector
- T = NBR Profile Gasket + Fixing Screw with Washer M3x27mm

## CABLE LIST

CABLE TYPE	NO. OF WIRES	CROSS SECTION	CABLE O.D.	CABLE JACKET	KOLORY PRZEWODÓW WIRES COLOR	SHIELD
A2	2	AWG 20	5.4mm±0.2	PVC BLACK	BN, BU	-
A3	2	AWG 18	6.2mm±0.25	PVC BLACK	BN, BU	-
B2	2	AWG 20	5.6mm±0.2	PUR BLACK	BN, BU	-
B3	2	AWG 18	6.2mm±0.2	PUR BLACK	BN, BU	-
I2	2	0.5mm <sup>2</sup>	5.5mm+0.3	PVC GREY	BN, BU	-
I3	2	0.75mm <sup>2</sup>	5.5mm±0.2	PVC GREY	BK1,BK2	-
I4	2	1mm <sup>2</sup>	7.1mm±0.2	PVC GREY	BN, BU	-
N2	2	0.5mm <sup>2</sup>	5.25mm±0.65	PVC BLACK	BN, BU	-
N3	2	0.75mm <sup>2</sup>	6.45mm±0.75	PVC BLACK	BN, BU	-
N4	2	1mm <sup>2</sup>	6.45mm±0.75	PVC BLACK	BN, BU	-
P2	2	0.5mm <sup>2</sup>	5.5mm+0.2	PUR BLACK	BN, BU	-
P3	2	0.75mm <sup>2</sup>	6.5mm±0.2	PUR BLACK	BN, BU	-

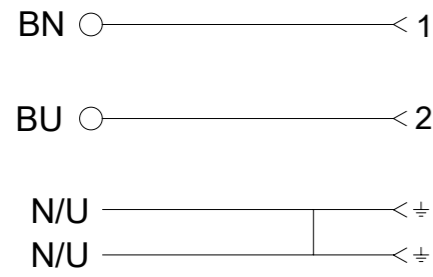
### Notes:

- Please see excel sheet 1210504000\_PDP for currently configured part numbers.
- Drawing is a replacement for: SD-121050-004

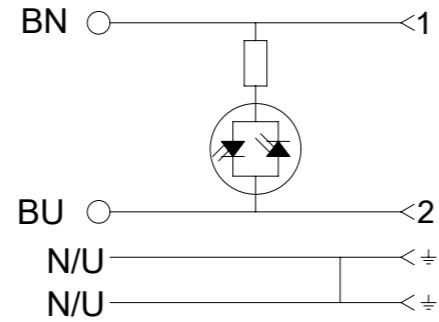
SYMBOLS	THIS DRAWING CONTAINS INFORMATION THAT IS PROPRIETARY TO MOLEX ELECTRONIC TECHNOLOGIES, LLC AND SHOULD NOT BE USED WITHOUT WRITTEN PERMISSION		CURRENT REV DESC: MIGRATED TO ECTR			<b>molex</b>		
	DIMENSION UNITS	SCALE						
	mm	1:1	PRODUCT CUSTOMER DRAWING					
	GENERAL TOLERANCES (UNLESS SPECIFIED)		DOCUMENT NUMBER			DOC TYPE	DOC PART	REVISION
ANGULAR TOL	± 1.0°	1210504000			PSD	000	A	
EC NO:	619803	INITIAL REVISION:			MATERIAL NUMBER			
DRWN:	SSM 2019/06/04	1 PLACE ± 0.3			CUSTOMER			
CHK'D:	RSILLER 2019/06/28	0 PLACES ± 0.5			GENERAL MARKET			
APPR:	RSILLER 2019/06/28	DRAFT WHERE APPLICABLE MUST REMAIN WITHIN DIMENSIONS			SHEET NUMBER			
THIRD ANGLE PROJECTION		DRAWING	SERIES	SEE 1210504000_PDP		2 OF 3		
A3-SIZE		121050						

# WIRING DIAGRAMS

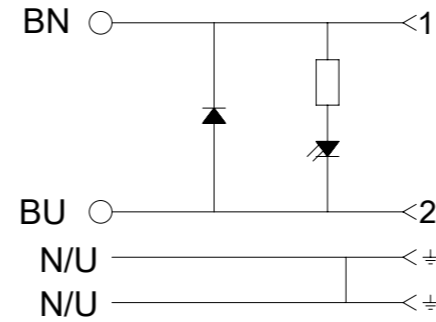
ELECTRICAL DIAGRAM 00  
WITHOUT LED



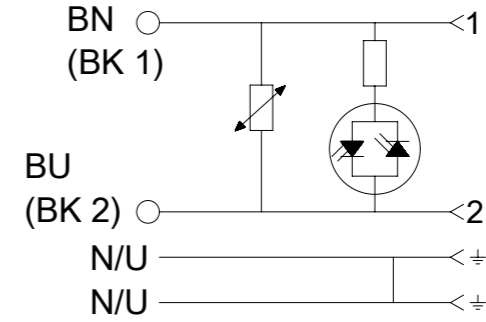
ELECTRICAL DIAGRAM A1



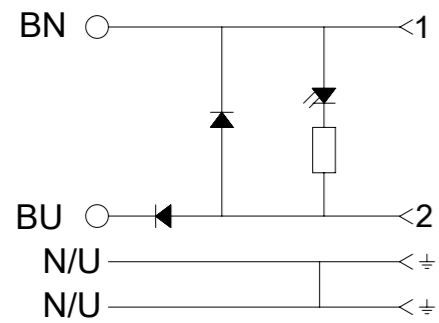
ELECTRICAL DIAGRAM C3



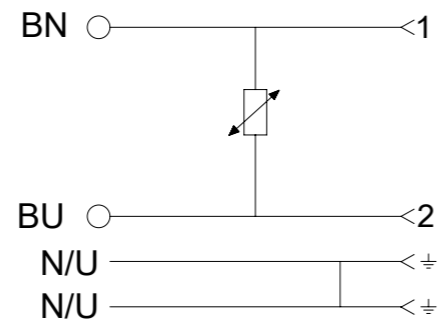
ELECTRICAL DIAGRAM C4



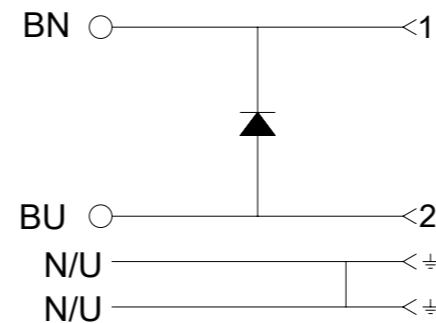
ELECTRICAL DIAGRAM C7



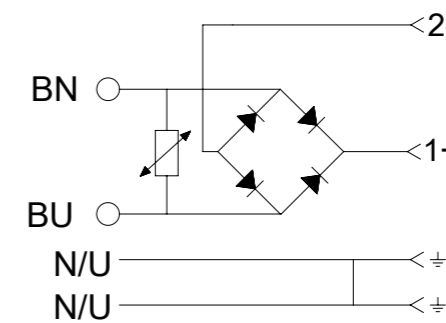
ELECTRICAL DIAGRAM D0



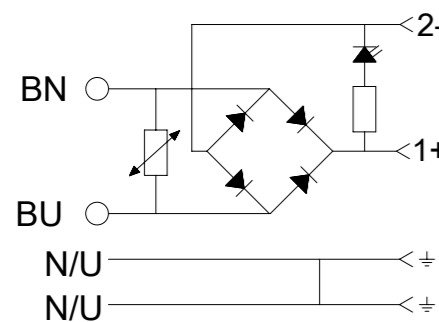
ELECTRICAL DIAGRAM E0



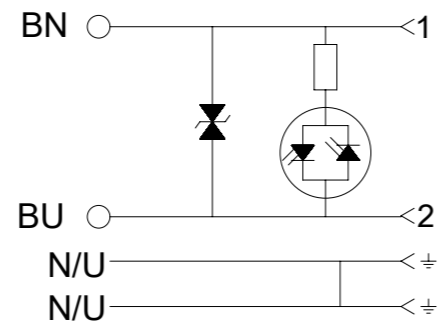
ELECTRICAL DIAGRAM R0



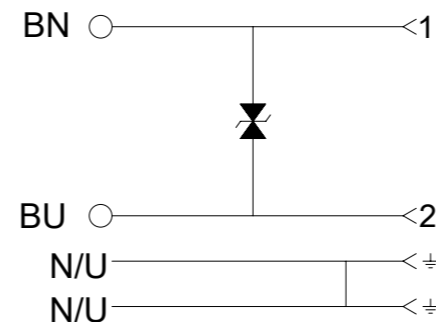
ELECTRICAL DIAGRAM R2



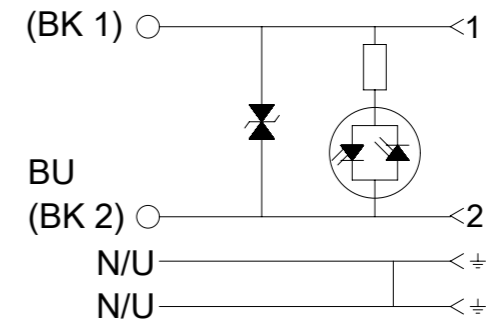
ELECTRICAL DIAGRAM S0



ELECTRICAL DIAGRAM S1



ELECTRICAL DIAGRAM S3



SYMBOLS		THIS DRAWING CONTAINS INFORMATION THAT IS PROPRIETARY TO MOLEX ELECTRONIC TECHNOLOGIES, LLC AND SHOULD NOT BE USED WITHOUT WRITTEN PERMISSION	
▽ = 0	mm	SCALE	1:1
▽ = 0	GENERAL TOLERANCES (UNLESS SPECIFIED)		
▽ = 0	ANGULAR TOL ± 1.0°		
▽ = 0	4 PLACES	±	
▽ = 0	3 PLACES	±	
▽ = 0	2 PLACES	± 0.05	
▽ = 0	1 PLACE	± 0.3	
▽ = 0	0 PLACES	± 0.5	
■ = 0	DRAFT WHERE APPLICABLE MUST REMAIN WITHIN DIMENSIONS		
▽ = 0	THIRD ANGLE PROJECTION		
CURRENT REV DESC: MIGRATED TO ECTR			
EC NO: 619803		2019/06/04	
DRWN: SSM		2019/06/28	
CHK'D: RSILLER		2019/06/28	
APPR: RSILLER		2019/06/28	
INITIAL REVISION:			
DRWN: SSM		2019/06/04	
APPR: RSILLER		2019/06/28	
DOCUMENT NUMBER		DOC TYPE	DOC PART
1210504000		PSD	000
REVISION		A	
MATERIAL NUMBER		CUSTOMER	SHEET NUMBER
SEE 1210504000_PDP		GENERAL MARKET	3 OF 3