

Altech Smart Relay

Altech's Smart Relay comprises 2 base modules featuring an AC and DC version including 8 Inputs and 4 Relay Outputs. Each allows for up to 3 Expansion module to be connected for a maximum of 32 Inputs and 16 Outputs. Fast and easy setup and Programming is done thru a free software available for download from the Altech website. An additional Communication Modules allows communication with remote devices.



Standards and Certifications

- UL 508
- IEC 61000-3-2
- IEC 61000-4-2-1~11

Features

- Supports upto 48 I/Os (32 digital inputs & 16 digital outputs)
- DST Feature Available
- Backlit LCD Screen for display & modification of pre-selected parameters of functional blocks, viewing I/O status and programming on the device
- PC software for programming, online & offline simulation, documentation & printing
- Designed for use in automation for commercial & Industrial sectors
- Modbus Communication

Programming Features

- 250 lines of ladder programming
- 16 soft text messages, Time Switches, Compare Counters, Timers, Counters & 12 analog functions

Function Blocks

Timers:	16 (ON Delay, Interval, Cyclic ON-OFF, OFF Delay)
Counters:	16 (Up/Down, Retentive selectable)
Time Switches:	16 (Weekly / Daily)
Compare Counters:	16
Analog Functions:	12 (DC Model)
Soft Text Messages:	16 (Priority Driven)
Auxiliary Relays:	32

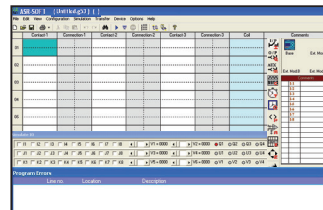


Starter Kits



CAT. NO	ASR-B120AC-START	ASR-B24DC-START
Includes		
Base Module	ASR-B120AC	ASR-B24DC
Programming Software	ASR-SOFT	ASR-SOFT
Programming Cable	ASR-USB	ASR-USB

FREE SOFTWARE DOWNLOAD



AltechCorp.com/SmartRelay

Technical Specifications

I/O Extensions (Max.)	3
Utilization Category	AC-15 Rated Voltage (Ue): 120/240 V, Rated Current (Ie): 3.0/1.5 A DC-13 Rated Voltage (Ue): 24/125/250 V, Current (Ie): 2.0/0.22/0.1 A
Power Reserve (For Clock Only)	150h at -10°C to +55°C
Operating Temperature	-10°C to +55°C
Storage Temperature	-25°C to +70°C
Humidity (Non Condensing)	95% (Rh)
Enclosure	Flame Retardant UL 94-V0
Mounting	Base / DIN Rail
Degree of Protection	IP 20 for Terminals, IP 40 for Enclosure



Base Module



Expansion Module

Base Module

CAT. NO	ASR-B120AC	ASR-B24DC
Supply Voltage (-20% to + 10%)	110-240 VAC (50/60Hz)	12-24 VDC
Power Consumption	5W	5W
Max. Supply current	36 mA	360 mA
Digital Inputs	8	6
Digital Input Range	(0-40VAC) OFF, (80-265VAC) ON	(0-4VDC) OFF, (8-26.4VDC) ON
Analog Inputs	N/A	2 (can be used as Digital Inputs)
Analog Input Range	N/A	0 to 10 VDC
Digital Relay Output	4 NO (8A@240V AC, 5A@30V DC)	4 NO (8A@240V AC, 5A@30V DC)
Weight	0.51 lb. (230 g)	0.51 lb. (230 g)

Expansion Module

CAT. NO	ASR-E120AC	ASR-E24DC
Digital Inputs	8	6
Digital Input Range	(0-40VAC) OFF, (80-265VAC) ON	(0-4VDC) OFF, (8-26.4VDC) ON
Analog Inputs	N/A	2 (can be used as Digital Inputs)
Analog Input Range	NA	0 to 10 VDC
Digital Relay Output	4 NO (8A@240V AC, 5A@30V DC)	4 NO (8A@240V AC, 5A@30V DC)
Weight	0.5 lb. (225 g)	0.5 lb. (225 g)

RS485 Communication Module (including communication cable)

Input	TTL Level
Output	RS-485 protocol (two wires, D+, D-)
Number of Nodes	32 standard unit loads
Isolation Voltage	2000 Vrms
Baud Rate	300, 600, 1200, 2400, 4800, 9600
Operating temperature	-10°C to +55°C
Storage temperature	-20°C to +70°C
LED Indicators	Red LED's for Tx & Rx. Green LED for Power indication
Weight	0.19 lb. (84 g)



Communication Cable

CAT. NO	ASR-C485-120AC	ASR-C485-24DC
Supply Voltage	110-240 VAC	12-24 VDC
Weight	0.18 lb. (80 g)	0.19 lb. (84 g)

Software & Accessories



CAT. NO	ASR-SOFT	ASR-MC	ASR-USB	ASR-RS232
	Programming Software	Memory Card	USB Cable	Serial RS232 Cable

SUPPLY, INPUT & OUTPUT CONNECTIONS

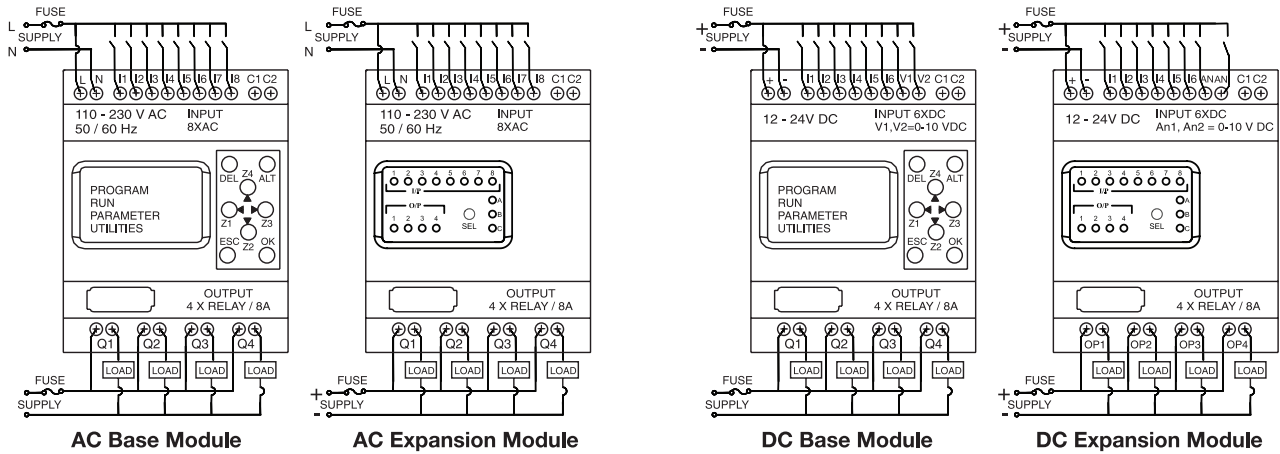


Fig. 1

Fig. 2

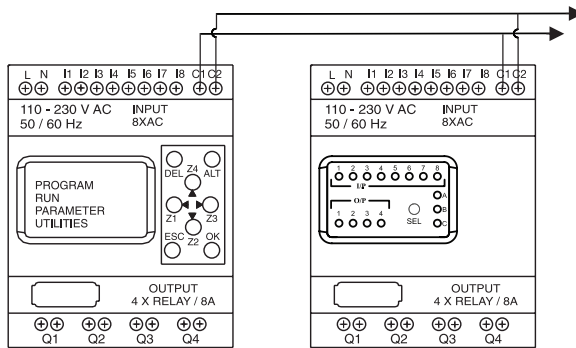


Fig. 3

Connection Between Base Module & Expansion
Same for both AC & DC

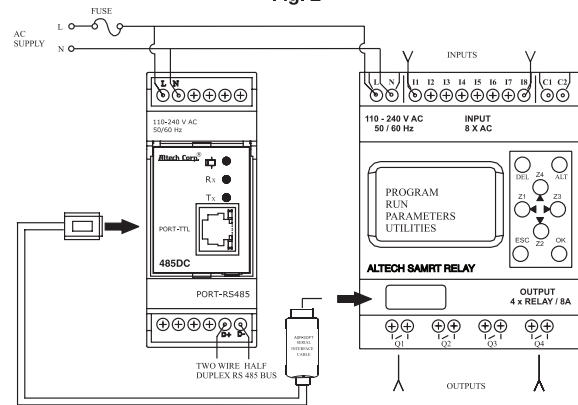


Fig. 4

Connection Between Base Module & Communication Module

Power Supply Wiring

1. Although the Altech Smart Relay has been designed to withstand the negative effects of any electrical noise that might be present its power supply. It may be necessary to insert an isolation transformer between the supply and line terminals of the Altech Smart Relay.
2. While using the DC Altech Smart Relay, run the 24 VDC Input line separate from 100 ~240V AC power lines.

Wiring of Input/Output

1. Separate input and output lines.
2. When the output lines are running close to power supply or input lines, use shielded wires and ground them.

Mounting Dimensions

