



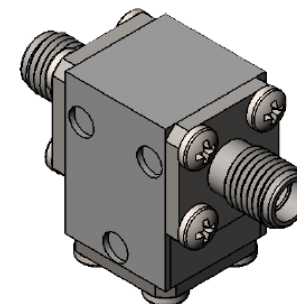
## Part Number: D3I1826K

### Electrical Specifications

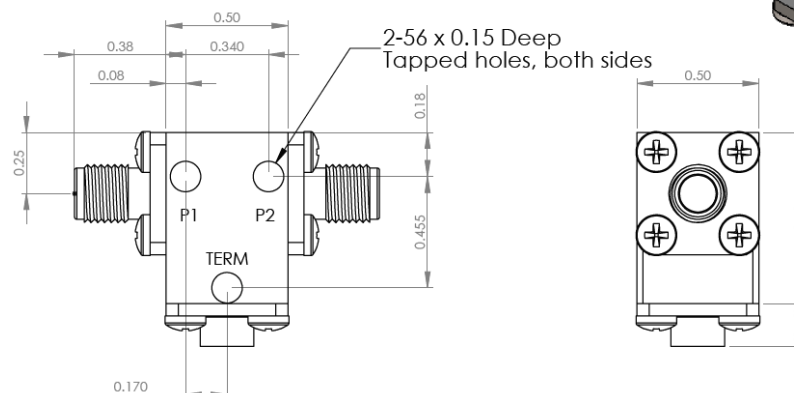
Frequency Range (GHz):	18.0	-	26.5
Isolation (dB):	18	MIN	
Insertion Loss (dB):	0.8	MAX	
VSWR:	1.4:1	MIN	
Forward Power (W):	10	AVG	
	30	PK	
Reflective Power (W):	2	AVG	

### Mechanical/Environmental Specifications

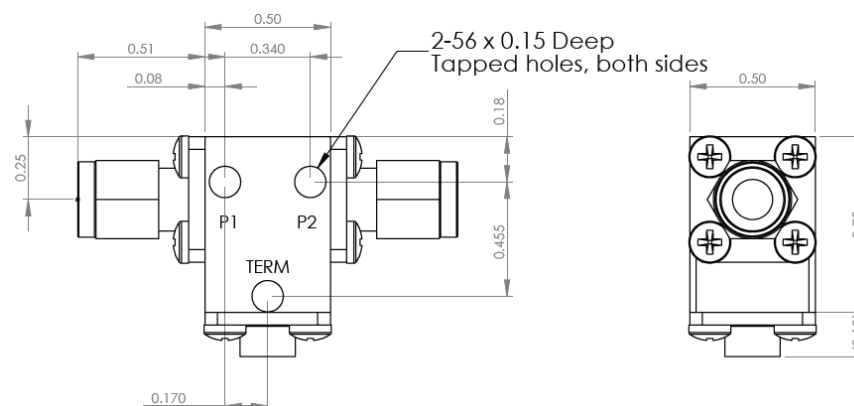
Connector Type:	K (2.92mm)		
Connector Body:	Passivated stainless steel		
Connector Pin:	Gold plated copper		
Load Body:	Brass		
Magnetic Shunt:	Nickel plated CRS		
Operational Temp:	-20°C to +65°C		
Weight (oz)	0.9	MAX	



### D3I1826K Dimensions



### D3I1826K-3 Dimensions



Dimensions are in inches  
Tolerance

XX ±0.03  
XXX ±0.010

Type of Device	PN Suffix	Connector Configuration Input / Output	PN Example
Single and Dual Junction Isolator, 2-Port Device  Input / Output	N/A	Female / Female	D3I1826K
	-1	Male / Female	D3I1826K-1
	-2	Female / Male	D3I1826K-2
	-3	Male / Male	D3I1826K-3



# MEASURED DATA

Part Number: D3I1826K, +25°C

