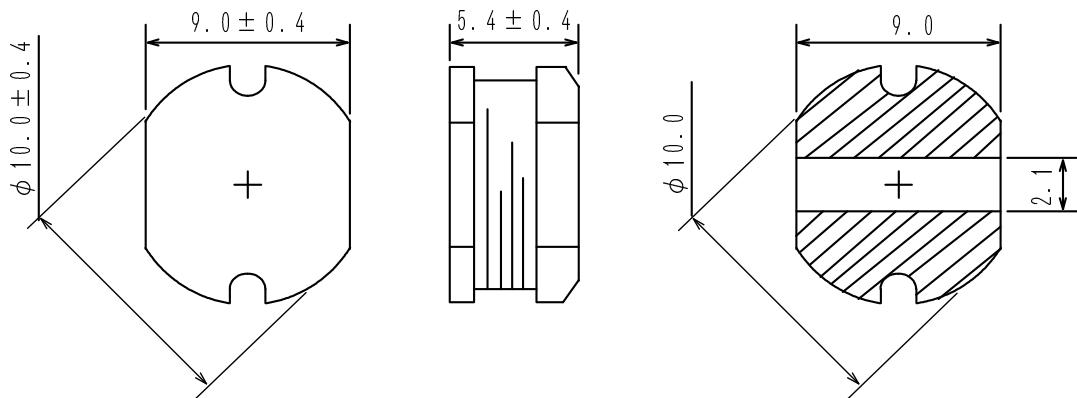
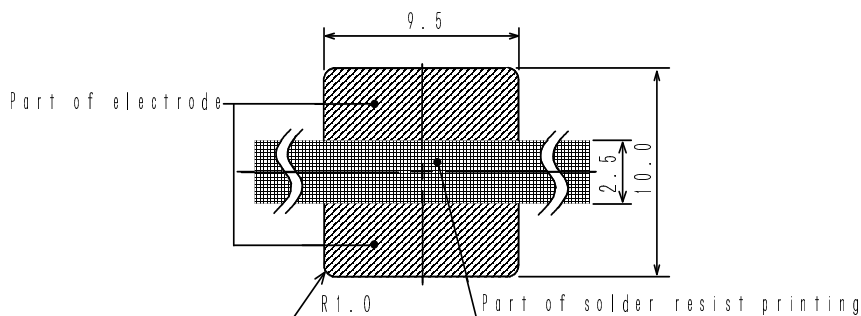


Type: CD105, CD105B
◆ Product Description

- 10.4×9.4mm Max.(L×W), 5.8mm Max. Height.
- Inductance range:10~820 μ H.
- Rated current range:0.24~2.6A (at 20°C for two types)
0.22~1.92A (at 105°C for CD105B)
- In addition to the standards versions shown here,
custom inductors are also available to meet your exact requirements.


◆ Feature

- Magnetically unshielded construction.
- Ideally used in PDA,MP3,DSC/DVC,HDD,Portable DVD,etc as DC-DC Converter inductors.
- RoHS Compliance

◆ Dimensions (mm)

◆ Land Pattern (mm)


Type: CD105, CD105B
◆ Specification(CD105)

| Part Name ※ | Stamp | Inductance [Within] (μH) ※1 | D.C.R. (Ω) [MAX.] (at 20°C) | Rated current (A) ※2 | S.R.F. (MHz) [TYP.] |
|----------------|-------|--|---|-------------------------|------------------------|
| CD105NP-100M□ | 100M | 10 ± 20% | 0.06 | 2.60 | 25.1 |
| CD105NP-120M□ | 120M | 12 ± 20% | 0.07 | 2.45 | 23.1 |
| CD105NP-150M□ | 150M | 15 ± 20% | 0.08 | 2.27 | 19.1 |
| CD105NP-180M□ | 180M | 18 ± 20% | 0.09 | 2.15 | 18.1 |
| CD105NP-220M□ | 220M | 22 ± 20% | 0.10 | 1.95 | 15.9 |
| CD105NP-270M□ | 270M | 27 ± 20% | 0.11 | 1.76 | 14.0 |
| CD105NP-330M□ | 330M | 33 ± 20% | 0.12 | 1.50 | 13.1 |
| CD105NP-390M□ | 390M | 39 ± 20% | 0.14 | 1.37 | 12.2 |
| CD105NP-470K□ | 470K | 47 ± 10% | 0.17 | 1.28 | 10.6 |
| CD105NP-560K□ | 560K | 56 ± 10% | 0.19 | 1.17 | 10.2 |
| CD105NP-680K□ | 680K | 68 ± 10% | 0.22 | 1.11 | 9.26 |
| CD105NP-820K□ | 820K | 82 ± 10% | 0.25 | 1.00 | 8.45 |
| CD105NP-101K□ | 101K | 100 ± 10% | 0.35 | 0.97 | 7.64 |
| CD105NP-121K□ | 121K | 120 ± 10% | 0.40 | 0.89 | 6.65 |
| CD105NP-151K□ | 151K | 150 ± 10% | 0.47 | 0.78 | 5.86 |
| CD105NP-181K□ | 181K | 180 ± 10% | 0.63 | 0.72 | 5.71 |
| CD105NP-221K□ | 221K | 220 ± 10% | 0.73 | 0.66 | 5.25 |
| CD105NP-271K□ | 271K | 270 ± 10% | 0.97 | 0.57 | 4.62 |
| CD105NP-331K□ | 331K | 330 ± 10% | 1.15 | 0.52 | 4.07 |
| CD105NP-391K□ | 391K | 390 ± 10% | 1.30 | 0.48 | 3.91 |
| CD105NP-471K□ | 471K | 470 ± 10% | 1.48 | 0.42 | 3.61 |
| CD105NP-561K□ | 561K | 560 ± 10% | 1.90 | 0.33 | 3.25 |
| CD105NP-681K□ | 681K | 680 ± 10% | 2.25 | 0.28 | 2.96 |
| CD105NP-821K□ | 821K | 820 ± 10% | 2.55 | 0.24 | 2.74 |

※ Description of part Name

CD105NP-100M□
 B: Box
 C: Carrier Tape

※1: Measuring Frequency: $10 \mu\text{H} \sim 82 \mu\text{H}$; at 2.52 MHz.
 $100 \mu\text{H} \sim 820 \mu\text{H}$; at 1 kHz.

※2: Rated current: The DC current at which the inductance decreases to 90 % of it's initial value or when $\Delta t = 40^\circ\text{C}$, whichever is lower ($T_a = 20^\circ\text{C}$).

Type: CD105, CD105B
◆ Specification(CD105B)

| Part Name ※ | Stamp | Inductance [Within] (μ H)※1 | D.C.R. (Ω) [Max.] (at 20°C) | Rated Current (A)※2 | | S.R.F. (MHz) [Ref.] |
|----------------|-------|--|--|------------------------|------------|------------------------|
| | | | | (at 20°C) | (at 105°C) | |
| CD105BNP-100M□ | 100M | 10 \pm 20% | 0.06 | 2.60 | 1.92 | 25.1 |
| CD105BNP-120M□ | 120M | 12 \pm 20% | 0.07 | 2.45 | 1.44 | 23.1 |
| CD105BNP-150M□ | 150M | 15 \pm 20% | 0.08 | 2.27 | 1.36 | 19.1 |
| CD105BNP-180M□ | 180M | 18 \pm 20% | 0.09 | 2.15 | 1.29 | 18.1 |
| CD105BNP-220M□ | 220M | 22 \pm 20% | 0.10 | 1.95 | 1.24 | 15.9 |
| CD105BNP-270M□ | 270M | 27 \pm 20% | 0.11 | 1.76 | 1.20 | 14.0 |
| CD105BNP-330M□ | 330M | 33 \pm 20% | 0.12 | 1.50 | 1.04 | 13.1 |
| CD105BNP-390M□ | 390M | 39 \pm 20% | 0.14 | 1.37 | 1.00 | 12.2 |
| CD105BNP-470K□ | 470K | 47 \pm 10% | 0.17 | 1.28 | 0.88 | 10.6 |
| CD105BNP-560K□ | 560K | 56 \pm 10% | 0.19 | 1.17 | 0.80 | 10.2 |
| CD105BNP-680K□ | 680K | 68 \pm 10% | 0.22 | 1.11 | 0.71 | 9.26 |
| CD105BNP-820K□ | 820K | 82 \pm 10% | 0.25 | 1.00 | 0.66 | 8.45 |
| CD105BNP-101K□ | 101K | 100 \pm 10% | 0.35 | 0.97 | 0.63 | 7.64 |
| CD105BNP-121K□ | 121K | 120 \pm 10% | 0.40 | 0.89 | 0.53 | 6.65 |
| CD105BNP-151K□ | 151K | 150 \pm 10% | 0.47 | 0.78 | 0.47 | 5.86 |
| CD105BNP-181K□ | 181K | 180 \pm 10% | 0.63 | 0.72 | 0.43 | 5.71 |
| CD105BNP-221K□ | 221K | 220 \pm 10% | 0.73 | 0.66 | 0.40 | 5.25 |
| CD105BNP-271K□ | 271K | 270 \pm 10% | 0.97 | 0.57 | 0.35 | 4.62 |
| CD105BNP-331K□ | 331K | 330 \pm 10% | 1.15 | 0.52 | 0.33 | 4.07 |
| CD105BNP-391K□ | 391K | 390 \pm 10% | 1.30 | 0.48 | 0.32 | 3.91 |
| CD105BNP-471K□ | 471K | 470 \pm 10% | 1.48 | 0.42 | 0.30 | 3.61 |
| CD105BNP-561K□ | 561K | 560 \pm 10% | 1.90 | 0.33 | 0.29 | 3.25 |
| CD105BNP-681K□ | 681K | 680 \pm 10% | 2.25 | 0.28 | 0.24 | 2.96 |
| CD105BNP-821K□ | 821K | 820 \pm 10% | 2.55 | 0.24 | 0.22 | 2.74 |

※ Description of part Name

CD105BNP-100M□
 └─ B: Box
 └─ C: Carrier Tape

※1: Measuring Frequency: 10 μ H \sim 82 μ H ; at 2.52 MHz.
 100 μ H \sim 820 μ H ; at 1 kHz.

※2: Rated current: The DC current at which the inductance decreases to 90 % of it's initial value or when $\Delta t=40^{\circ}\text{C}$, whichever is lower ($T_a=20^{\circ}\text{C}$).