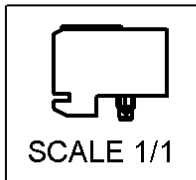
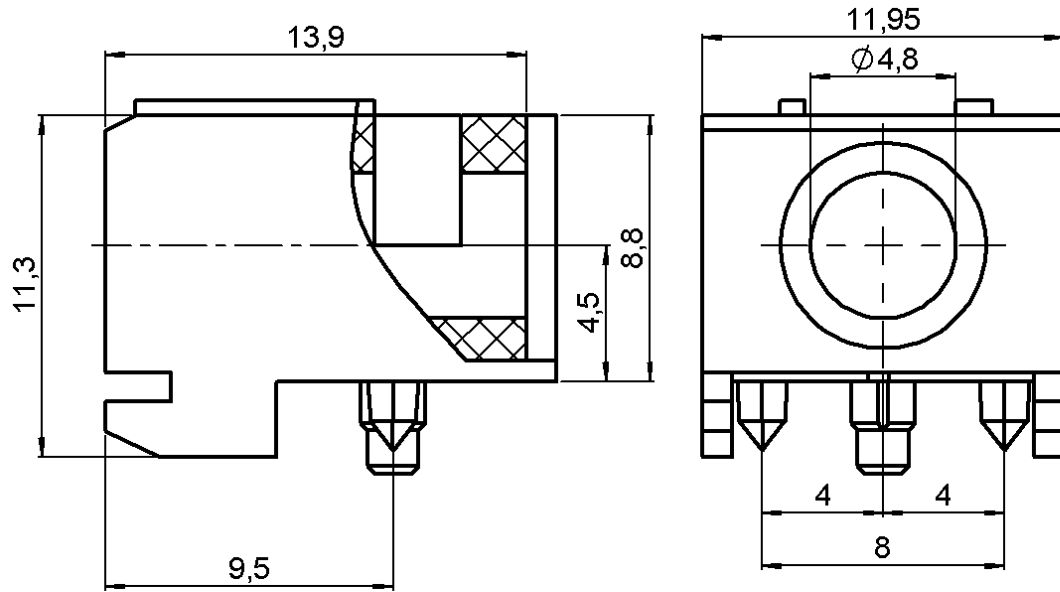


FEMALE HOUSING FOR GUIDE PIN + COAX

R280.420.300

Series : ACC-COAX



All dimensions are in mm.



COMPONENTS	MATERIALS	PLATINGS (µm)
BODY	-	-
CENTER CONTACT	-	-
OUTER CONTACT	-	-
INSULATOR	-	-
GASKET	-	-
OTHERS PARTS	LIQUID CRISTAL POLYMER	-

Operating temperature : -25/+125 °C

Weight : 1.700 g

Others characteristics : -

Issue : 0309 B

In the effort to improve our products, we reserve the right to make changes judged to be necessary.

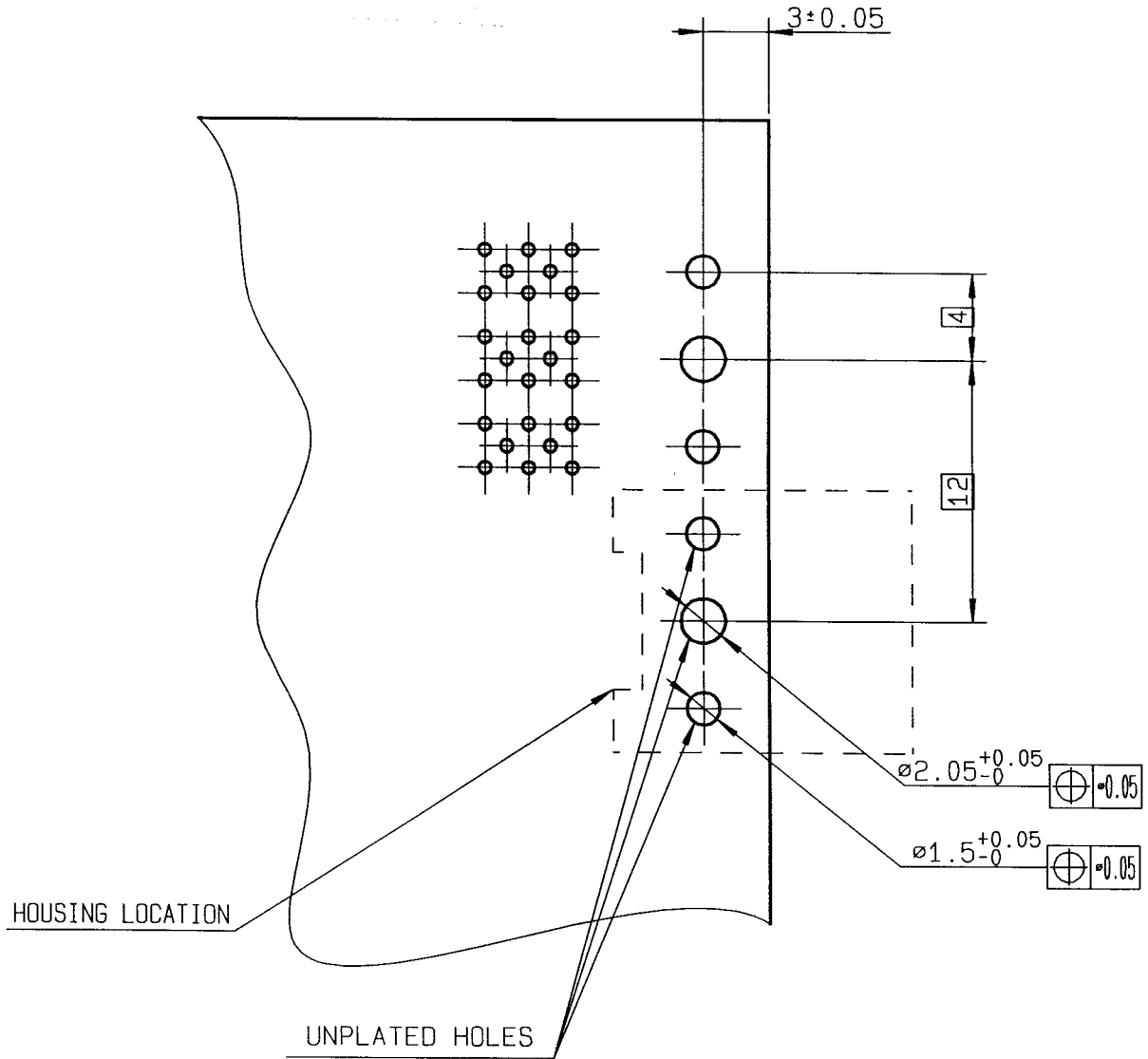


FEMALE HOUSING FOR GUIDE PIN + COAX

R280.420.300

Series : ACC-COAX

RECOMMENDED P .C BOARD LAYOUT



Issue : 0309 B

In the effort to improve our products, we reserve the right to make changes judged to be necessary.

