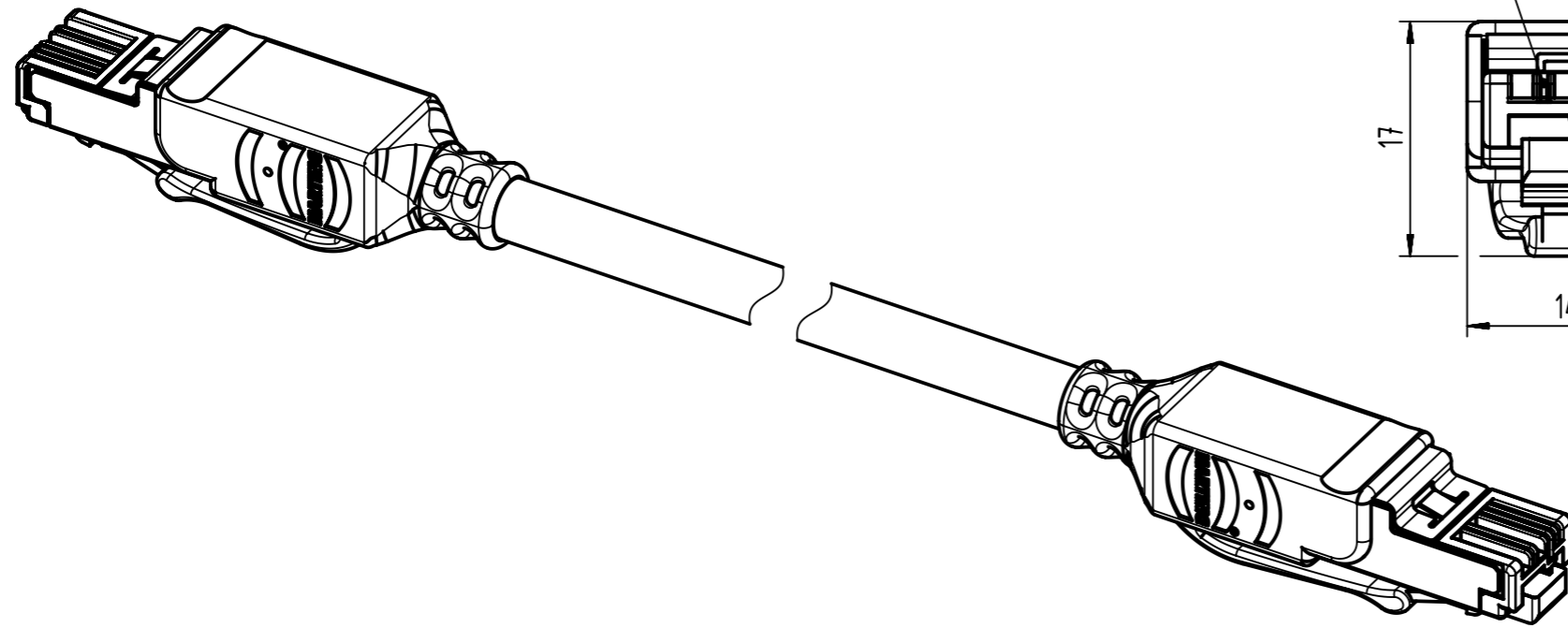
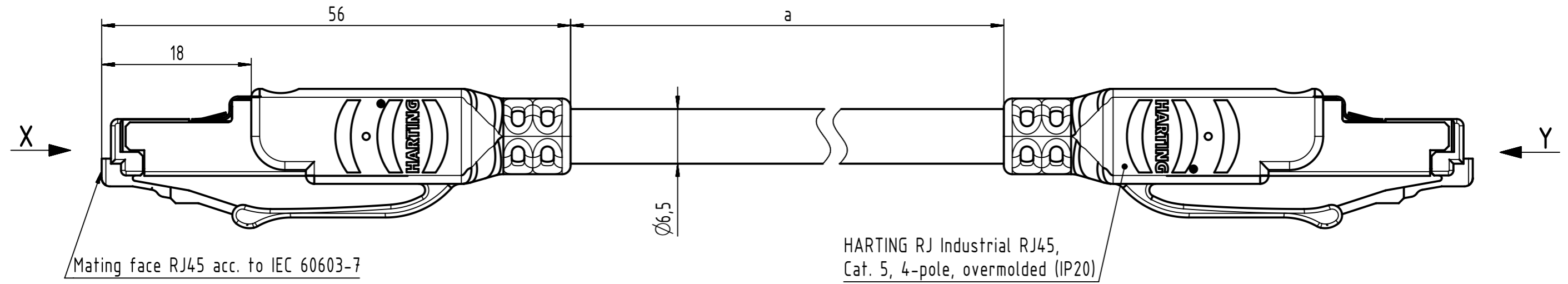


Connector Location A

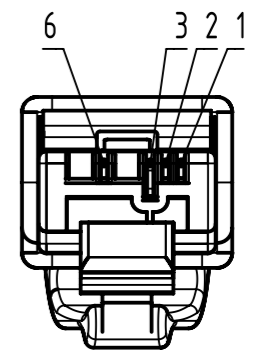
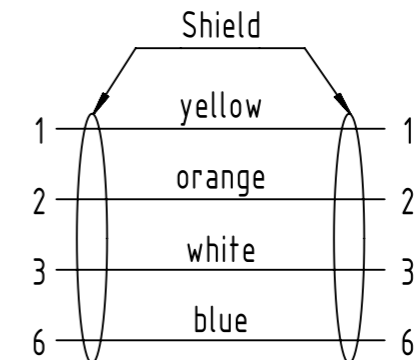
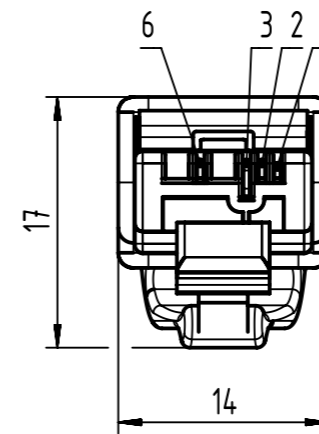
Connector Location B



X  
male

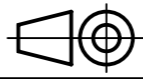

Y  
male

Loading-Plan:




- Temperature range: -40°C ... +70°C

	All rights reserved		Tech. Character.		Free size tol.		According to production drawing		
	Department HCS - RO		Created by COSTEA	Inspected by STOCHECIC	Standardisation MUNTEANV	Date 2018-09-13	State Final Release		
HARTING Customised Solutions D-32339 Espelkamp		Title RJ Industrial PROFINET cable assembly					Doc-Key / ECM-Nr. 100081054/UGD/051/G 500000139970		
		Type TB	Number 0945771XXXX			Rev. G	Page 1/3		

1	2	3	4	5	6	7	8
				RJ Ethernet stranded cable, 4xAWG22/7, PVC, Cat. 5+, green			
52	09457711161	100					
51	09457711160	90					
50	09457711159	80					
49	09457711158	70					
48	09457711157	60					
47	09457711156	50					
46	09457711155	40					
45	09457711154	30					
44	09457711153	20					
43	09457711152	15					
42	09457711132	13					
41	09457711151	10					
40	09457711131	9					
39	09457711130	8					
38	09457711129	7					
37	09457711128	6					
36	09457711127	5					
35	09457711136	4.5					
34	09457711126	4					
33	09457711135	3.5					
32	09457711125	3					
31	09457711140	2.2					
30	09457711124	2					
29	09457711139	1.8					
28	09457711123	1.5					
27	09457711122	1					
26	09457711138	0.9					
25	09457711121	0.5					
24	09457711134	0.3					
23	09457711137	0.15					
Cont. no.	Part no.	Type of cable	Dim. a[m]				
				 All Dimensions in mm			
				Tech. Character.		Free size tol.	
				According to production drawing			
				 All rights reserved Department HCS - RO		Created by COSTEA	
				Inspected by STOCHECIC		Standardisation MUNTEANV	
				Date 2018-09-13		State Final Release	
				Title RJ Industrial PROFINET cable assembly			
				Doc-Key / ECM-Nr. 100081054/UGD/051/G 500000139970			
				Type TB		Number 0945771XXXX	
				HARTING Customised Solutions D-32339 Espelkamp		Rev. <b>G</b>	
						Page 2/3	
22	09457710061	RJ Ethernet standard cable, AWG22/1, 2x2x0.64, PVC, Cat. 5+, green	100				
21	09457710060		90				
20	09457710059		80				
19	09457710058		70				
18	09457710057		60				
17	09457710056		50				
16	09457710055		40				
15	09457710054		30				
14	09457710053		20				
13	09457710052		15				
12	09457710051		10				
11	09457710031		9				
10	09457710030		8				
9	09457710029		7				
8	09457710028		6				
7	09457710027		5				
6	09457710026		4				
5	09457710025		3				
4	09457710024		2				
3	09457710023		1.5				
2	09457710022		1				
1	09457710021		0.5				
Cont. no.	Part no.	Type of cable	Dim. a[m]				

	1	2	3	4	5	6	7	8
A								
B	81	09457711183	RJ45 Ethernet trailing cable, AWG22/7, 2x2x0.75, PUR, Cat. 5+, green	100				
	80	09457711182		90				
	79	09457711181		80				
	78	09457711180		70				
	77	09457711179		60				
	76	09457711187		55				
	75	09457711178		50				
C	74	09457711177		40				
	73	09457711176		30				
	72	09457711175		20				
	71	09457711186		18				
	70	09457711174		15				
	69	09457711188		14				
	68	09457711189		12				
D	67	09457711173		10				
	66	09457711172		9				
	65	09457711171		8				
	64	09457711170		7				
	63	09457711169		6				
	62	09457711168		5				
	61	09457711167	4					
E	60	09457711166	3					
	59	09457711190	2.3					
	58	09457711165	2					
	57	09457711164	1.5					
	56	09457711163	1					
	55	09457711185	0.6					
	54	09457711162	0.5					
	53	09457711184	0.3					
F	<b>Cont. no.</b>	<b>Part no.</b>	<b>Type of cable</b>	<b>Dim. a[m]</b>				

	All rights reserved		Created by COSTEA		Inspected by STOCHECIC		Standardisation MUNTEANV		Date 2018-09-13		State Final Release	
	Department HCS - RO		Title RJ Industrial PROFINET cable assembly						Doc-Key / ECM-Nr. 100081054/UGD/051/G 500000139970			
HARTING Customised Solutions D-32339 Espelkamp			Type TB		Number 0945771XXXX				Rev. G		Page 3/3	