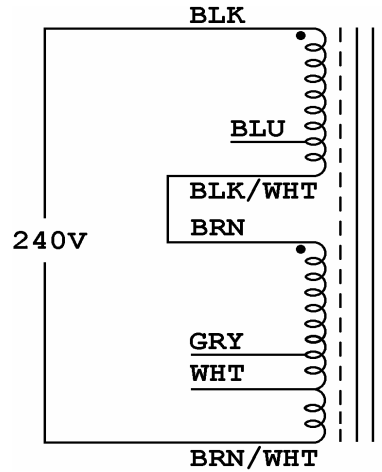
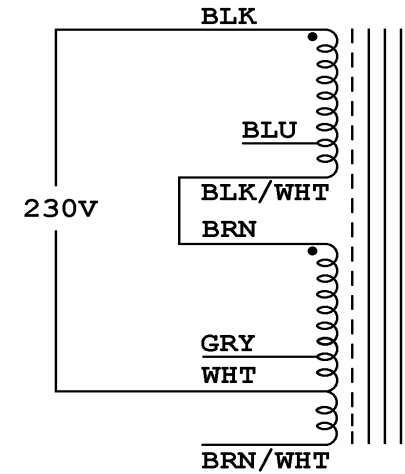
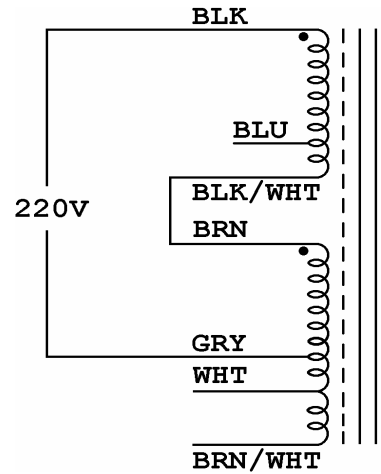
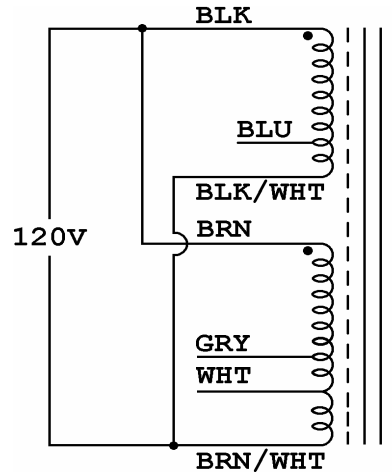
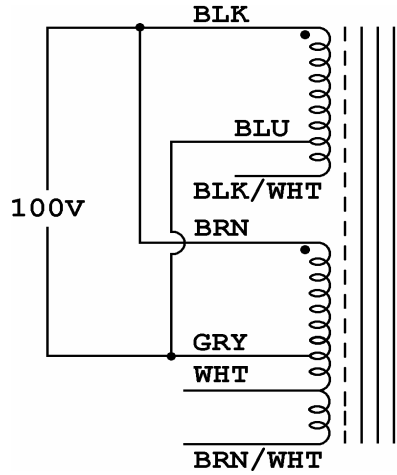


This drawing is the property of Magnetic Components, Inc. and shall not be reproduced, in whole or in part, without the written permission of Magnetic Components, Inc.

REVISIONS			
LTR	DESCRIPTION	DATE	APPROVED



UNLESS OTHERWISE SPECIFIED ALL DIMENSIONS IN INCHES DO NOT SCALE DRAWING	SIGNATURES		DATE	MAGNETIC COMPONENTS, INC.		DIV : LOC : SCHILLER PK		
	DRAWN : <i>Muf</i>		15 JUL 11	TITLE PRIMARY WIRING DIAGRAMS				
FRACTIONS +/-	CHECK :			CAGE	50508	SIZE	PART No.	REV
.X = +/-	APPR : <i>M. Schiller</i>		15 JUL 11	SCALE		A	40-18078	C
.XX = +/-				NONE				
.XXX = +/-				SHEET : 2 OF 2				
ANGLES = +/-								