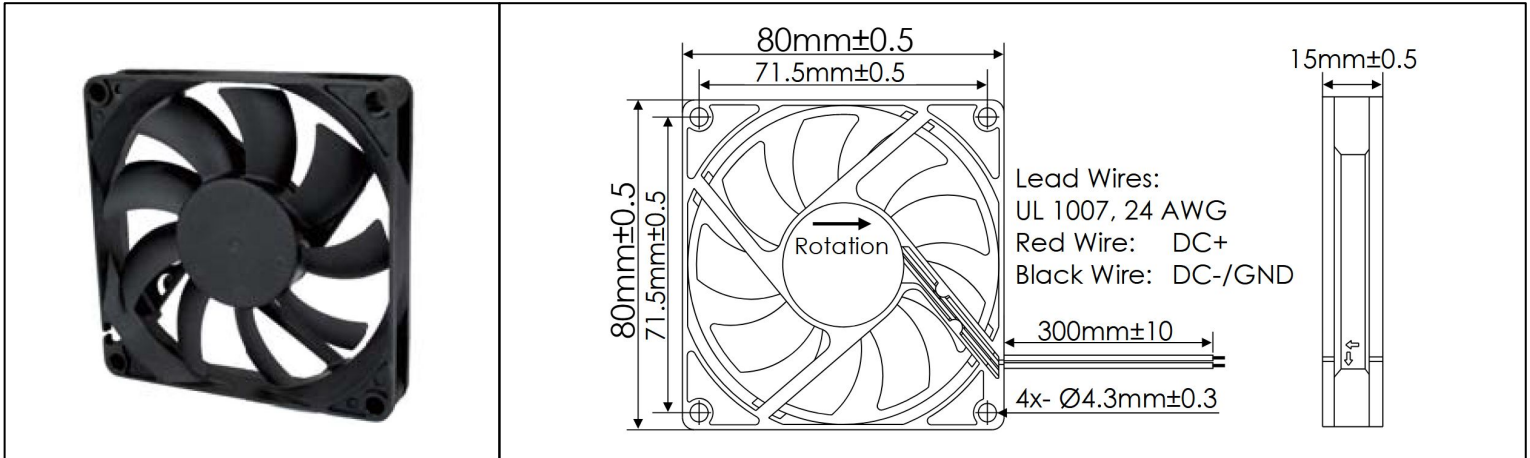


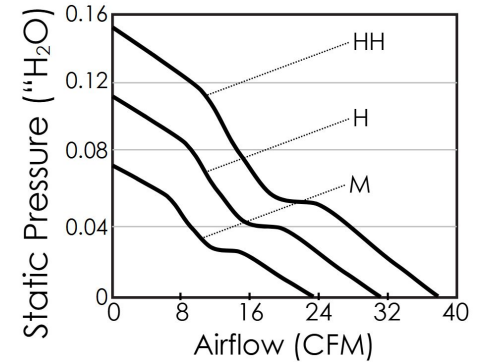
# OD8015 Series



DC Fans - 5, 12, 24V  
80mm x 15mm (3.15" x 0.6")



<b>Frame</b>	PBT, UL94 V-0 Plastic	<b>Operating Temperature</b> -20°C ~ +65°C  <b>Storage Temperature</b> -20°C ~ +75°C  <b>Life Expectancy</b> 50,000 Hours (L10 at 45°C)  <b>Available Options</b> Tachometer Output Alarm Output PWM Speed Control Input IP Ratings Sealed Sleeve Bearings  Weight: 0.17 lbs
<b>Impeller</b>	PBT, UL94 V-0 Plastic	
<b>Connection</b>	2x Lead Wires, 24 AWG	
<b>Motor</b>	Brushless DC, Auto Cutoff, Auto Restart, Polarity Protected, Electronically Protected	
<b>Bearing System</b>	Ball Bearings	
<b>Dielectric Strength</b>	500VDC/min, <5mA	
<b>Insulation Resistance</b>	≥10MΩ @ 500V DC	



Part Number	Rated Voltage (Volts DC)	Voltage Range (Volts DC)	Input Power (Watts)	Rated Current (Amps)	Rated Speed (RPM)	Max Airflow (CFM)	Noise Level (dBA)	Max Static Pressure (\"H <sub>2</sub> O)
OD8015-05HHB	5	4.5 ~ 5.5	1.4	0.28	3550	38	38.1	0.15
OD8015-05HB	5	4.5 ~ 5.5	1.0	0.20	3050	31	34.2	0.11
OD8015-05MB	5	4.5 ~ 5.5	0.8	0.15	2725	23	31.1	0.07
OD8015-12HHB	12	9 ~ 13.8	2.2	0.18	3550	38	38.1	0.15
OD8015-12HB	12	9 ~ 13.8	1.8	0.15	3050	31	34.2	0.11
OD8015-12MB	12	9 ~ 13.8	1.5	0.12	2725	23	31.1	0.07
OD8015-24HHB	24	15 ~ 26	2.9	0.12	3550	38	38.1	0.15
OD8015-24HB	24	15 ~ 26	2.4	0.10	3050	31	34.2	0.11
OD8015-24MB	24	15 ~ 26	1.9	0.08	2725	23	31.1	0.07