



**ANATECH ELECTRONICS INC**  
RF & Microwave Filters & Products

**1870-1885 MHz / 1950-1965 MHz  
Cavity Duplexer**

**Part Number: AE1877-1957DB40B**

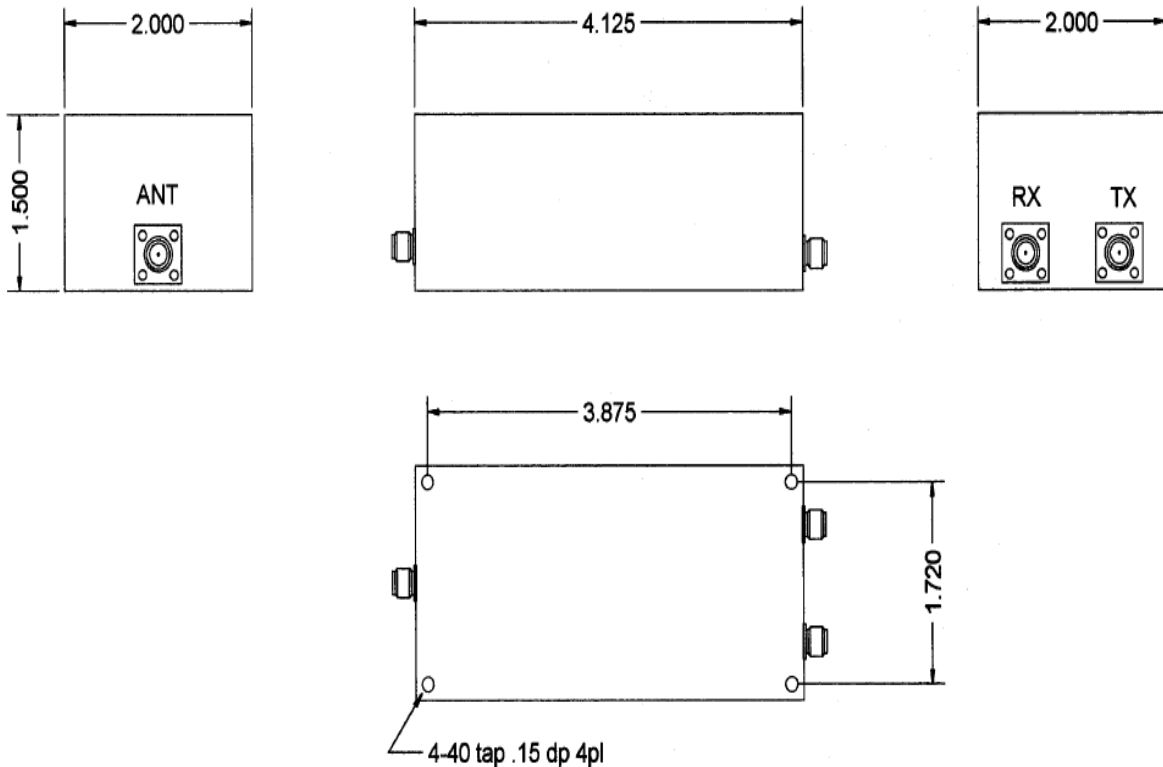


| <u>Characteristics</u>           | <u>Band 1</u> | <u>Band 2</u> |
|----------------------------------|---------------|---------------|
| <b>Passband:</b>                 | 1870-1885 MHz | 1950-1965 MHz |
| <b>Bandwidth:</b>                | 15 MHz        | 15 MHz        |
| <b>Passband Insertion Loss:</b>  | ≤ 1.0dB       | ≤ 1.0dB       |
| <b>Passband Return Loss:</b>     | ≥ 18dB        | ≥ 18dB        |
| <b>Input / Output Impedance:</b> | 50 Ohms       | 50 Ohms       |
| <b>Isolation:</b>                | ≥ 70 dB       | ≥ 70 dB       |

| <u>Mechanical</u>      |                          |
|------------------------|--------------------------|
| <b>Connector Type:</b> | SMA (F)                  |
| <b>Dimensions:</b>     | 4.125x 2.0 x 2.0 inches. |

| <u>Environmental</u>          |                  |
|-------------------------------|------------------|
| <b>Operating Temperature:</b> | -40 to +70 deg.C |
| <b>Storage Temperature:</b>   | -50 to +85 deg.C |

**Outline Drawing:**





**ANATECH ELECTRONICS INC**  
RF & Microwave Filters & Products

# 1870-1885 MHz / 1950-1965 MHz Cavity Duplexer

Part Number: AE1877-1957DB40B



## Response Plot:

