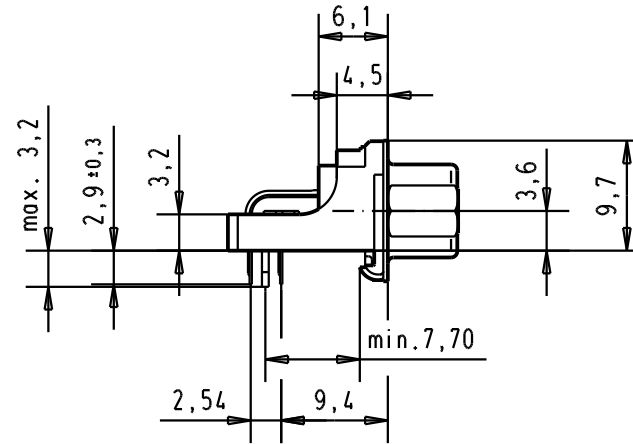
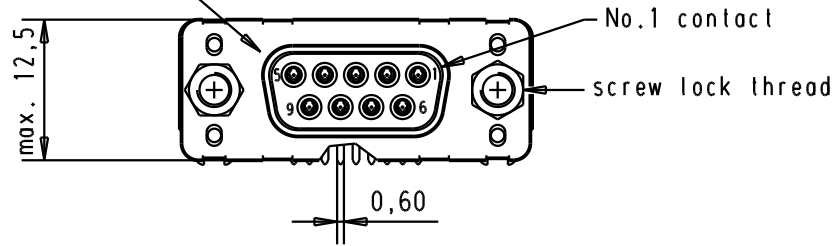
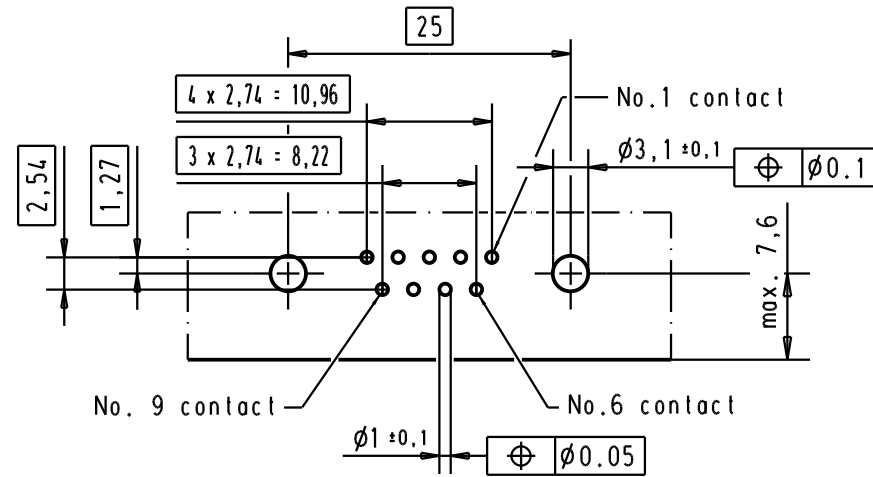
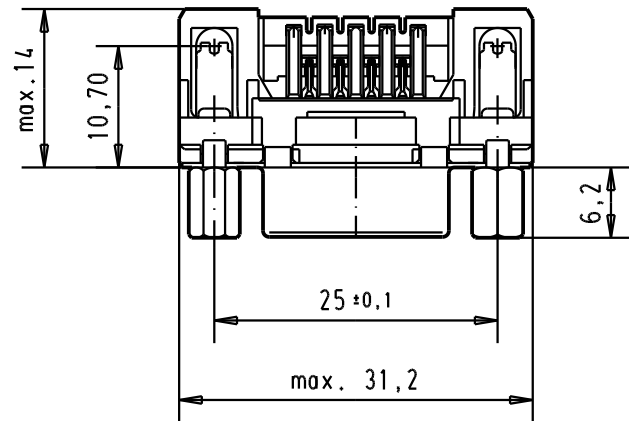


Mating face according to : MIL-C-24308 / DIN 41652 / CECC 75301-802





PCB layout hole component side



Connector retention and insertion forces on the PCB = 25 / 80 newtons

A

Part number	Screw lock thread	Performance level	Mod.	Dat.	Name	Dat.	Name	 All Dim. in mm Orig. Size DIN A 4	D-Sub 09 poles low profil angle female, solder pin with screw lock and grounding board lock.	Maßstab/ Scale 1.5:1	
			31892	05/05/04	JH	Detail.	02/sept/00				jfb
			31084	04/SEP/02	YT	Insp.					
09 66 152 3617	4-40 UNC	1	27961	24/nov/00	jfb	Stand.					
09 66 152 6617	4-40 UNC	2	27952	26/oct/00	jfb	HARTING EUROL F-95972 Paris					
09 66 152 7617	4-40 UNC	3	27948	02/sept/00	jfb						
Part number	Screw lock thread	Performance level	Mod.	Dat.	Name				TB 0966152x61x	Blatt/ Page 3 / 5	

Sub.