



Makeblock Co., Ltd.

Technical Support: tec-support@makeblock.com
www.makeblock.com



: @Makeblock



: @Makeblock

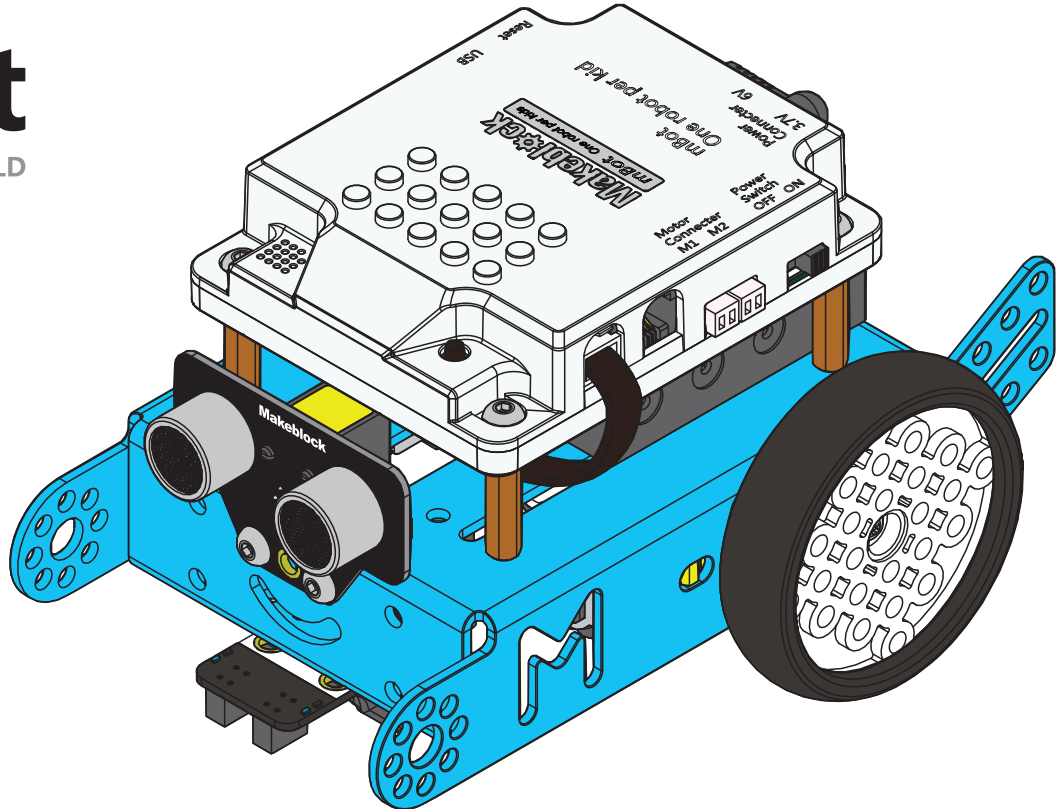


: +Makeblock

Makeblock
Construct Your Dreams

mBot

ONE ROBOT PER CHILD

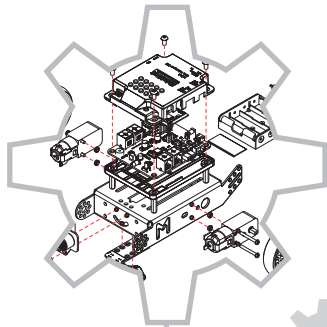


The pictures are for reference only, please make the object as standard.

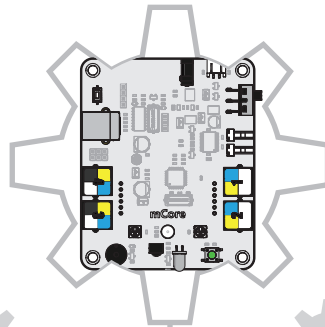
Contents

Children should be accompanied by adults.

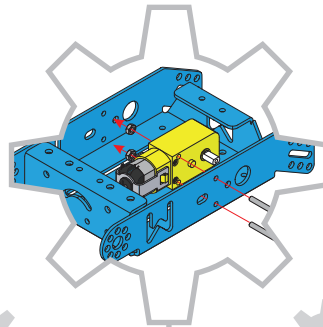
mBot is an educational robot for beginners to learn STEM (Science, Technology, Engineering, Mathematics) and experience the charms of mechanics, electronics, control systems and computer science.



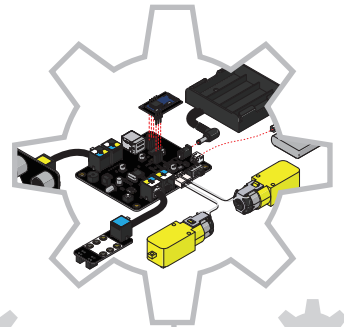
Parts List



mCore Layout



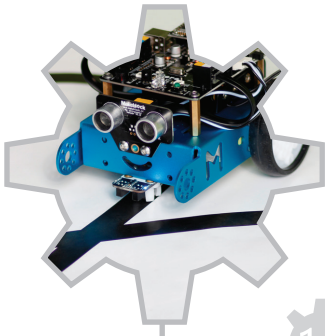
Assembly Instructions



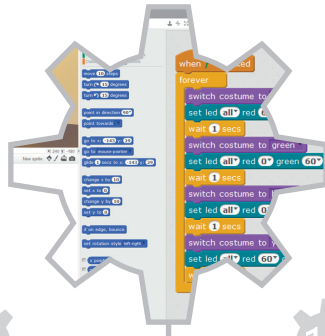
Wiring Instructions



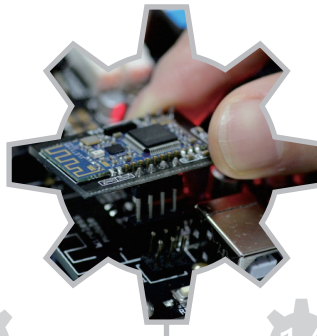
Warning: This product contains small parts and is intended for children at least 8 years old.



Get Started Playing



Graphical
Programming



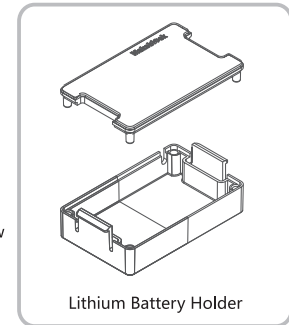
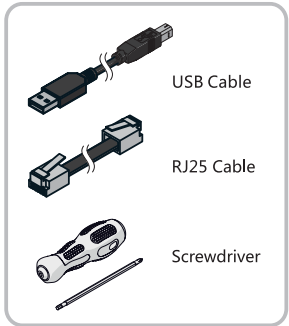
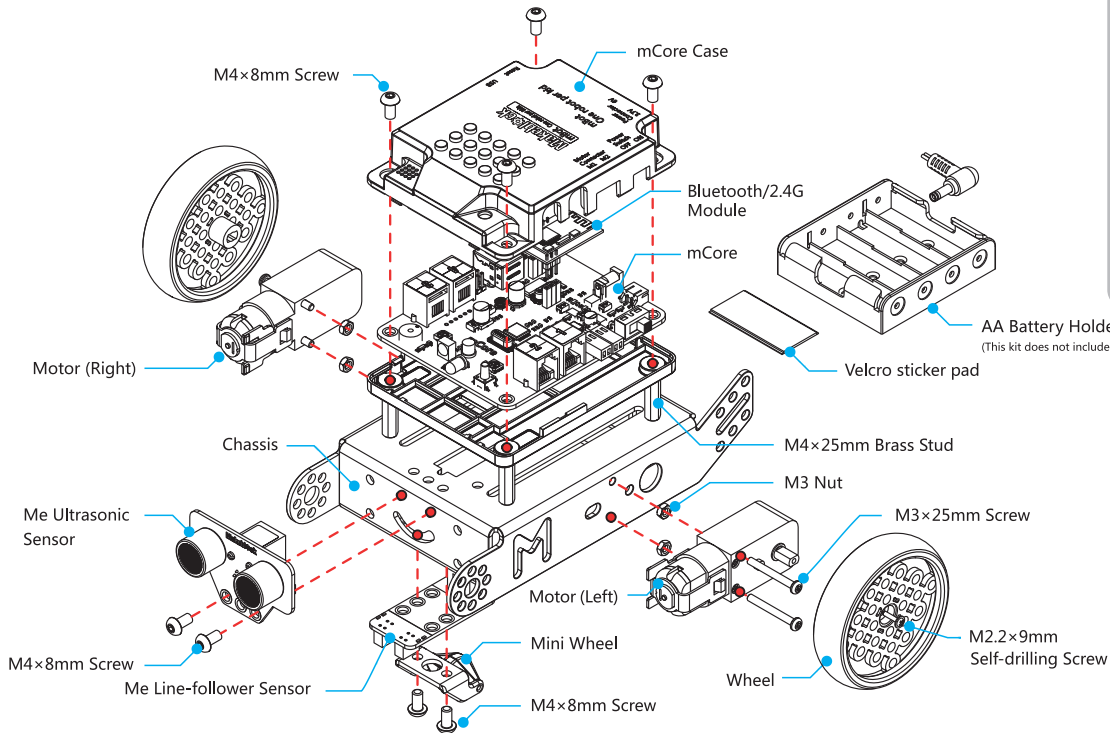
Wireless
Communication



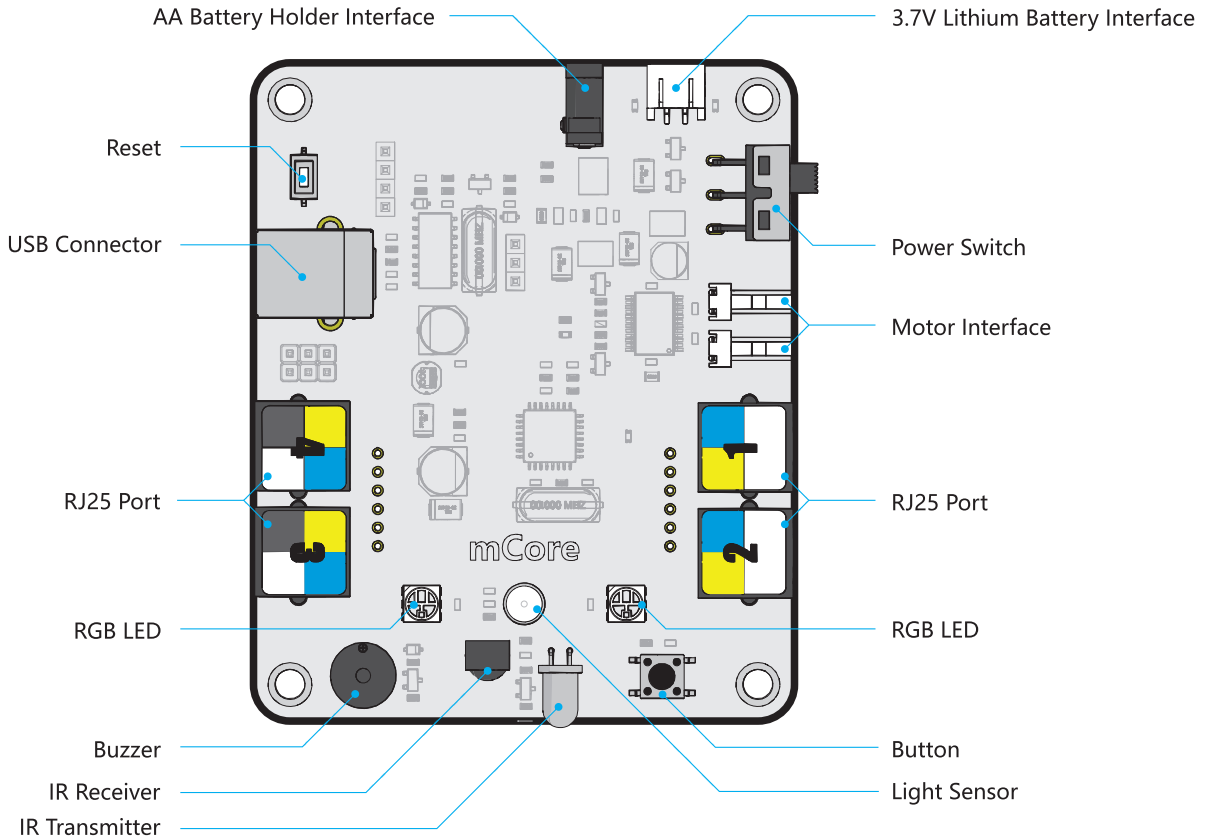
Arduino Programming
(C Language)



Parts List

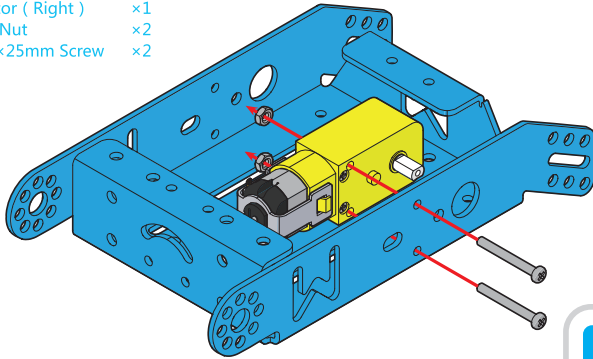


mCore Layout

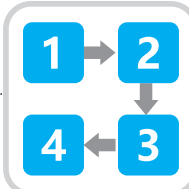
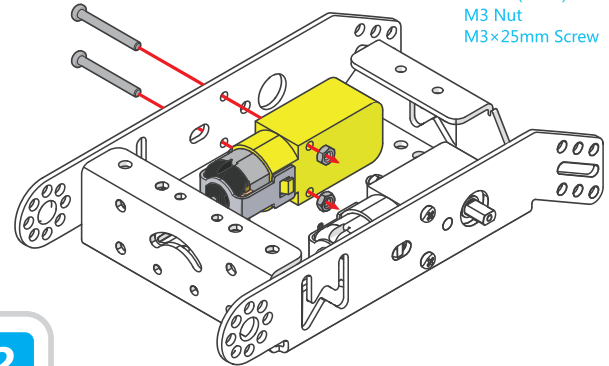


Assembly Instructions

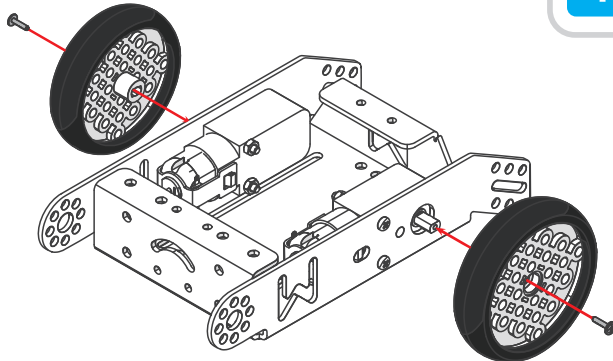
- Chassis ×1
- Motor (Right) ×1
- M3 Nut ×2
- M3×25mm Screw ×2



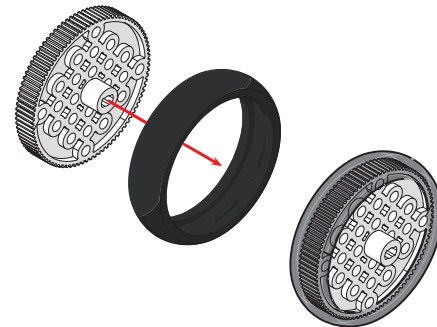
- Motor (Left) ×1
- M3 Nut ×2
- M3×25mm Screw ×2



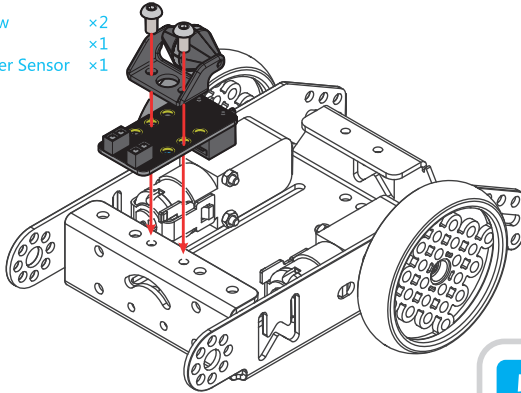
- M2.2×9mm Self-drilling Screw ×2



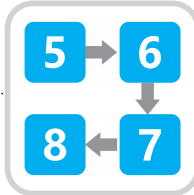
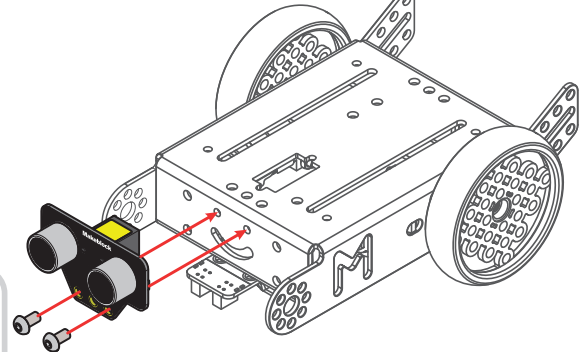
- Wheel ×2



M4×8mm Screw ×2
Mini Wheel ×1
Me Line-follower Sensor ×1

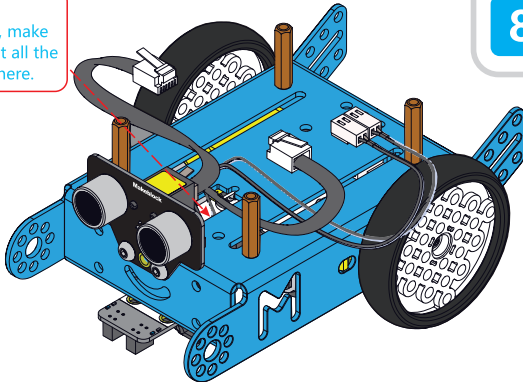


M4×8mm Screw ×2
Me Ultrasonic Sensor ×1

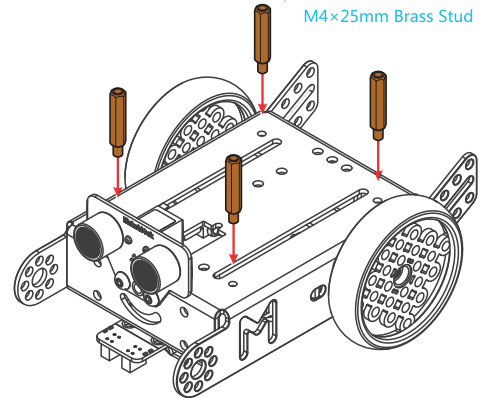


Tips:

After assembly, make sure to take out all the wires through here.

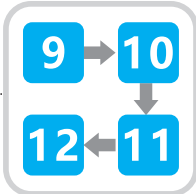
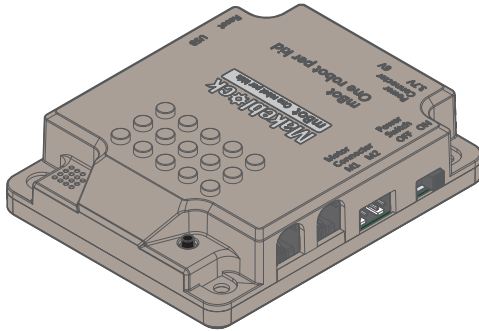
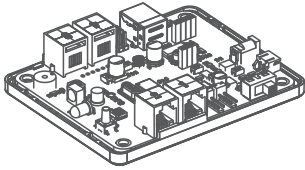
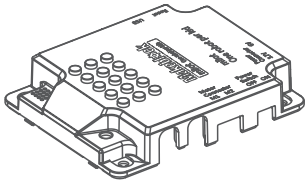


M4×25mm Brass Stud ×4

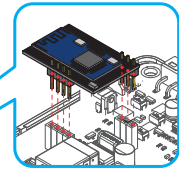
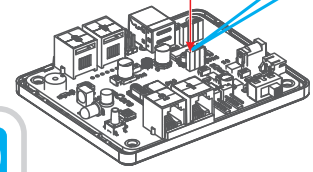
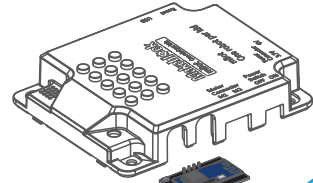


mCore Case
mCore

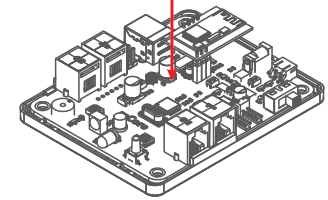
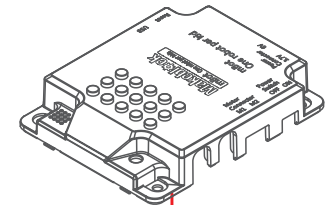
×1
×1



Bluetooth/2.4G Module ×1

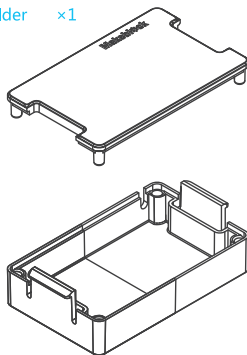


Tips:
Please check carefully if the pins of the Bluetooth or 2.4G Module are well inserted, otherwise the chip may be damaged upon power-on.



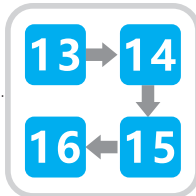
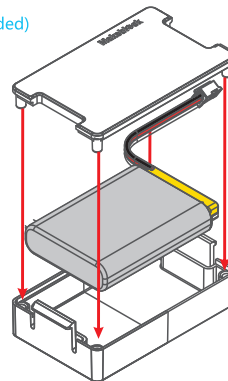
Powered by Lithium Battery (we provide two alternative power supply methods, Lithium battery or AA battery.)

Lithium Battery Holder ×1

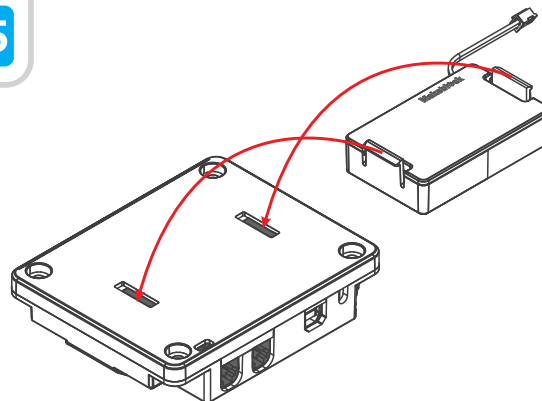
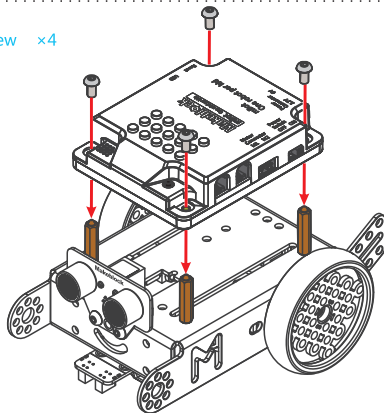


Tips:
If you use AA battery holder, please skip step 13, 14, 15, and 16.

3.7V Lithium Battery (Not included)

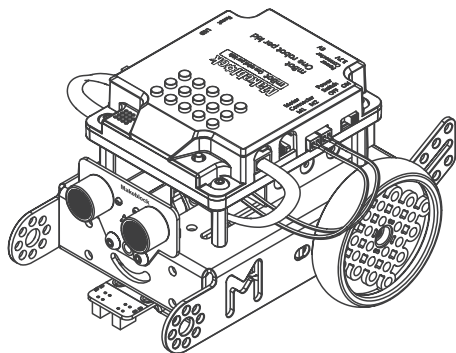
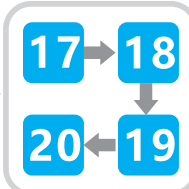
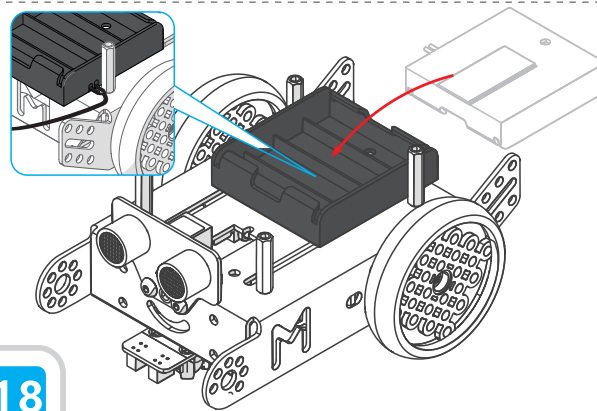
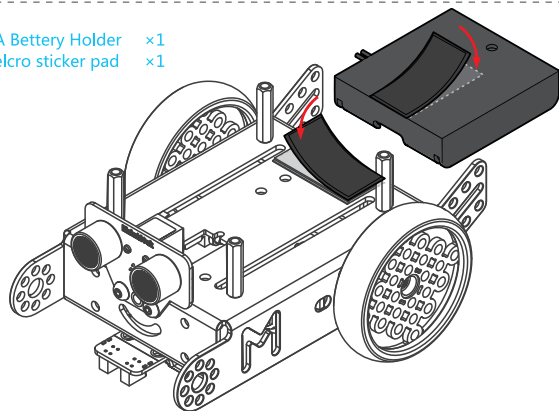


M4×8mm Screw ×4

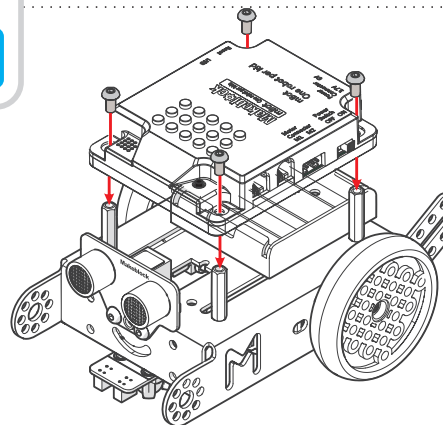


Powered by AA Battery (we provide two alternative power supply methods, Lithium battery or AA battery.)

AA Battery Holder ×1
Velcro sticker pad ×1



M4×8mm Screw ×4



Please wire the electronic modules after assembly.