

POC-W211

21.5" Widescreen Point-of-Care Terminal with Fanless and Slim Design



Features

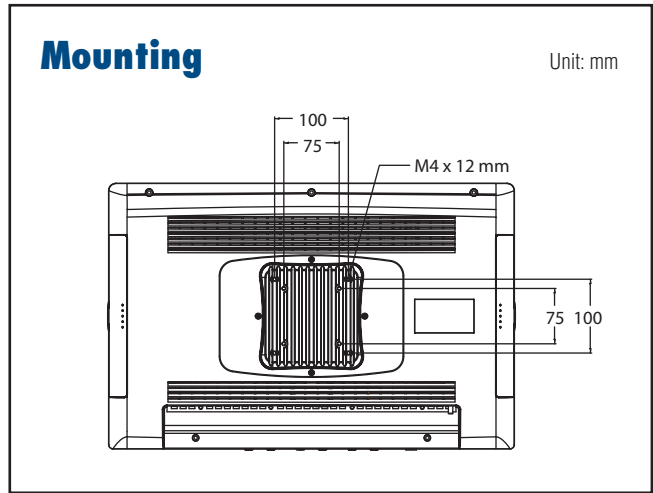
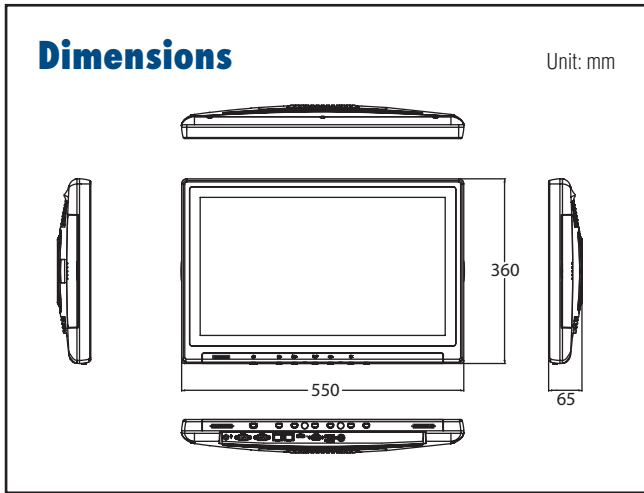
- Runs on an AMD processor with a fanless, high graphical profile
- Ultra-thin display, only 65 mm slim at its widest point
- Capable of displaying crystal clear images on its 21.5" wide-screen display
- Isolated design provides unique electric leakage protection for COM ports and LAN ports
- IPX1 water resistant enclosure with additional IP65 dust-tight front panel
- UL60601-1/EN60601-1 third edition certified ensures highest levels of safety and reliability
- Optional Bluetooth, RFID, Blu-ray RW, inner WLAN module, Li-ion battery pack and smart card



Specifications

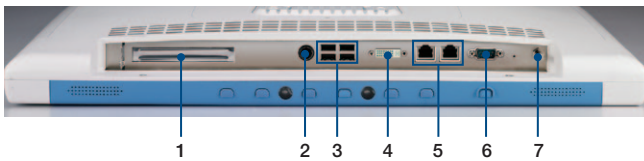
Computing System	Chipset	AMD eONTARIO + A55E	
	CPU	AMD Dual Core T56N 1.65 GHz (Dual Core 18W TDP)	
	Memory	Up to 8 GB DDR3 1333 MHz SDRAM	
	Graphics Controller	ATI Radeon RV7x0, support DX11, UVD3	
	Operating System	XPP, Win 7	
Display	Display Size	21.5" wide TFT color LCD (16:9)	
	Type	IPS	
	Max. Resolution	1920 x 1080 (H x V)	
	Max. Colors	16.7 M colors (6-bits+A-FRC)	
	Pixel Pitch (um)	247.5 x 247.5	
	Viewing Angle	178°/178°	
	Luminance	250 cd/m ²	
	Backlight	LED	
	LCD MTBF	30,000 Hours	
Expansion Slot	Mini PCIe	1 x Mini PCIe slot	
	PCI	1 x PCI (x1) slot	
I/O Ports	Serial Ports	1 x RS-232/422/485 (isolated) serial port	
	USB 2.0 Ports	6	
	VGA/DVI Port	1x DVI-I	
	Speakers (1W)	2	
	LAN	2 x Gigabit Ethernet (isolated) interfaces (RJ-45)	
Storage	HDD	1 x 2.5" SATA	
	DC Model	AC/DC adapter (Sinpro Model no.HPU101-107)	
Power Supply	Input Voltage	90 ~ 260 V _{AC} , 1.35 ~ 0.5 A, 47 ~ 63 Hz	
	Output Voltage	+18 V _{DC} 5.55 A max. (100 watts)	
Optional Functions	Battery	3S2P 4200mAH, support 2hr13min backup operation Adding the battery will prevent the PCIe card from being inserted	
	Smart Card Reader	Complies with ISO7816-1,2,3,T=1 and T=0 protocol	
	WLAN	Integrated wireless 802.11 a/b/g/n connection & internal antenna	
	RFID	13.56 MHz with ISO-15693 & ISO-14443A/B and active tag function	
	Bluetooth	Integrated Bluetooth v2.0 + EDR	
	Optical Devices	DVD-RW SATA, Blu-ray RW option	
Optional Touchscreen	Type	Analog Resistive (Clear & AG)	Projected Capacitive 2-points (AR)
	Resolution	Continuous	Continuous
	Light Transmission	80±3%	90±3%
	Controller	COM interface	USB interface
	Durability	350 million touches	Over 50 million touches
IP Rating	Front Panel	IP65	
	Entire System	IPX1	
Certifications	UL60601-1/EN60601-1, CE & FCC Class B certified, CCC		
Environment	Temperature	0 ~ 40° C (32 ~ 104° F) (Operating)	
	Humidity	10 ~ 95% @ 40° C (Non-condensing)	
	Shock Resistance	20 G peak acceleration (11 ms duration)	
Physical Characteristics	Dimensions (W x D x H)	550 x 360 x 65 mm (21.65" x 14.17" x 2.56")	
	Weight	6.9 kg (15.2 lb)	

*Test results by Passmark BatteryMon V2.1 with a minimum of peripherals connected.



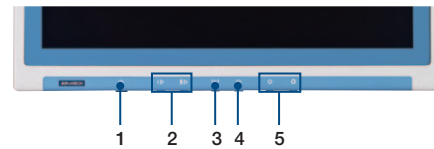
Rear I/O Ports

POC-W211-C01D-ATE Version



- (1) PCI card slot
- (2) Power DC-IN
- (3) 4 x USB 2.0 ports
- (4) DVI-I port
- (5) 2 x Gigabit Ethernet interfaces (RJ-45)
- (6) 1 x RS-232/422/485 (isolated) serial port
- (7) Equipotential Terminal Pin

Function Keys



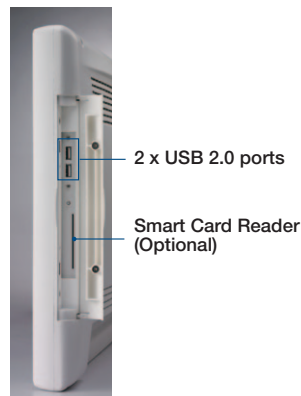
- (1) Power
- (2) Volume Up/Down
- (3) Touchscreen Status Control
- (4) Read Light Control
- (5) Brightness Increase/Decrease

Left Side I/O



DVD+/-RW (Optional)

Right Side I/O



2 x USB 2.0 ports

Smart Card Reader (Optional)

Ordering Information

Part Number	Description
POC-W211-C01D-ATE	AMD T56N 1.65G/4G RAM/RES. TS/AG Type
POC-W211-C11D-ALE	AMD T56N 1.65G/4G RAM/RES. TS/Clear Type

Accessories

Part Number	Description
1702002600	Power Cable (USA) 1.8 M
1702002605	Power Cable (Europe) 1.8 M

Optional Modules

Part Number	Description
POC-W211-BTTAE	Battery module (4200mAh Li-ion battery) for POC-W211 AMD series
POC-W211-RF0E	RFID module for POC-W211
POC-W211-BT0E	Bluetooth module for POC-W211
POC-W211-WF0E	Wireless module (802.11a/b/g/n) for POC-W211
*POC-W211-SC0E	Smart Card module for POC-W211
*POC-W211-RW0E	DVD+/-RW module (LG SLIM 8X SATA) for POC-W211

*: modules only apply to POC-W211-C01D-ATE