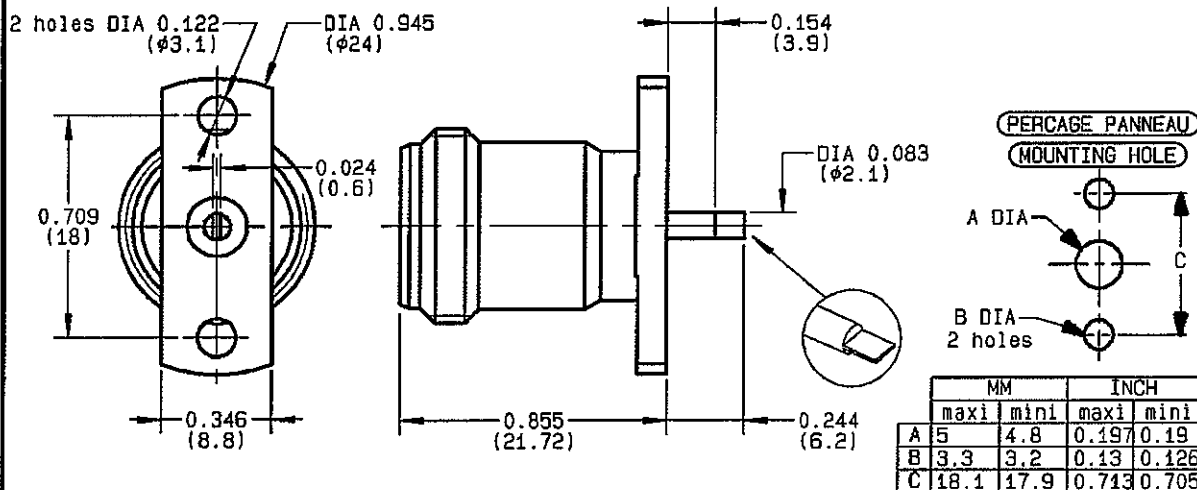


**2 HOLES FLANGE JACK RECEPTACLE  
WITH TAB CONTACT**

**R161.461.000**

**SERIES**

**N**



NOMINAL IMPEDANCE	<b>50</b> Ω
FREQUENCY RANGE	<b>0-11</b> GHz
TEMPERATURE RATING	<b>-55/+155</b> °C
V.S.W.R	<b>1.04 + 0.035 x F(GHz)Maxi</b>
RF INSERTION LOSS	<b>0.06 √F(GHz) dB Maxi</b>
VOLTAGE RATING	<b>1400</b> Veff Maxi
DIELECTRIC WITHSTANDING VOLTAGE	<b>2500</b> Veff Mini
INSULATION RESISTANCE	<b>5000</b> MΩMini
HERMETIC SEAL	<b>NA</b> Atm.cm <sup>3</sup> /s
LEAKAGE (pressurized only)	<b>NA</b>
MECHANICAL DURABILITY	<b>500</b> Cycles
WEIGHT	<b>18.7</b> gr
SPECIFICATION	

CABLES :	
OTHERS CHARACTERISTICS	<b>isolant Ø 200.5</b>
CABLE RETENTION	<b>NA</b> N Mini
CENTER CONTACT RETENTION	
Axial force - mating end	<b>27</b> N Mini
Axial force - opposite end	<b>27</b> N Mini
Torque	<b>NA</b> cm.N Mini
RECOMMENDED TORQUES	
Mating	<b>NA</b> cm.N
Panel nut	<b>NA</b> cm.N
Clamp nut	<b>NA</b> cm.N

CONNECTOR PARTS:	MATERIALS	FINISH	(all values are given in micrometers)
BODY	BRASS	BBR 2	
OUTER CONTACT	BRASS	BBR 2	
CENTER CONTACT	BERYLLIUM COPPER	GOLD 0.5 OVER NICKEL 2	
INSULATOR	CROSS-LINKED STYRENE COPOLYMER		
GASKET			
OTHERS PIECES			

ISSUE **0523 F00**    CREATION DATE **24/03/1993**    FILE PART-NUMBER



**RADIALL®**

BONDMINI

The information given here is subject to change without notice. Design changes may be in order to improve the product.

*Connect to the future*