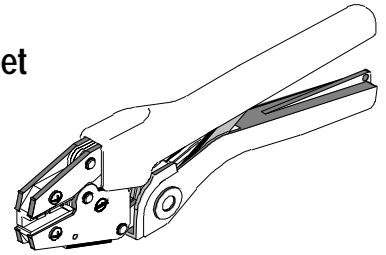




**Hand Crimp Tool**  
**Operating Instruction and Specifications Sheet**  
**Part No. 64003-0400**  
**Eng. No. RHT 1753**  
**(Replaces 19284-0012)**



**FEATURES**

- A full cycle ratcheting hand tool ensures complete crimps
- Long handles for comfortable crimping with reduced crimping force
- A precision user-friendly terminal locator / wire stop holds terminals in the proper crimping position

**SCOPE**

Products: Krimptite™ Terminals and Quick Disconnects 24–26 AWG.

**Testing**

**Mechanical**

The tensile test, or pull test, is a means of evaluating the mechanical properties of the crimped connections. The following charts show the UL specifications for various wire sizes. The tensile strength is shown in pounds and indicates the minimum acceptable force to break or separate the terminal from the conductor.

Wire Size (AWG)	*UL - 486 A	*UL - 310
26	3	3
24	5	5

\*UL - 486 A - Terminals (Copper conductors only)

\*UL - 310 Quick Disconnects, Flags, Couplers

The following is a partial list of the product part numbers and their specifications that this tool is designed to run. We will be adding to this list and an up to date copy is available on [www.molex.com](http://www.molex.com).

Wire Size: 24 – 26 AWG 0.20 – 0.12 mm <sup>2</sup>			
Terminal No.	Terminal Eng No. (REF)	Wire Strip Length	
		In	mm
19016-0075	M-1130	.156	3.97
19016-0098	M-1136	.156	3.97
190160-099	M-1136-032	.156	3.97
19016-0112	M-1133	.156	3.97
19069-0352	M-1113-02	.156	3.97
19069-0354	M-1113-04	.156	3.97
19069-0356	M-1113-06	.156	3.97
19069-0358	M-1114-02	.156	3.97
19069-0361	M-1118-06	.156	3.97
19069-0363	M-1118-08	.156	3.97
19069-0365	M-1118-10	.156	3.97
19069-0367	M-1120-04	.156	3.97
19069-0369	M-1122-00	.156	3.97
19069-0370	M-1122-02	.156	3.97

Wire Size: 24 – 26 AWG 0.20 – 0.12 mm <sup>2</sup>			
Terminal No.	Terminal Eng No.	Wire Strip Length	
		In	mm
19069-0441	M-1120-06	.156	3.97
19087-0169	M-1115-02	.156	3.97
19087-0171	M-1119-02	.156	3.97
19087-0173	M-1119-06	.156	3.97
19087-0175	M-1119-08	.156	3.97
19087-0177	M-1119-10	.156	3.97
19118-0092	M-1117-02	.156	3.97
19141-0096	M-1116-02	.156	3.97
19141-0098	M-1121-04	.156	3.97
19141-0101	M-1123-00	.156	3.97
19141-0109	M-1116-04	.156	3.97
19141-0113	M-1116-06	.156	3.97

## OPERATION

Open the tool by first closing the jaws sufficiently for the ratchet mechanism to release.

### Crimping Terminals

1. Lift the locator and insert the terminal in the proper nest with the barrel up and against the locator bar. For Quick Disconnects, center the terminal barrel in the lower tooling visually, the locator will hold it but does not position Quick Disconnects. Release the locator blade to hold the terminal in position. See Figure 1. Locator may be raised or lowered so terminal sits flat and straight in tool.
2. Partially close the tool to hold the terminal in place. See Figure 2.
3. Insert the properly stripped wire into the terminal barrel. See Figure 2 and 3. The wires end should stop against the locator bar. Cycle the tool.

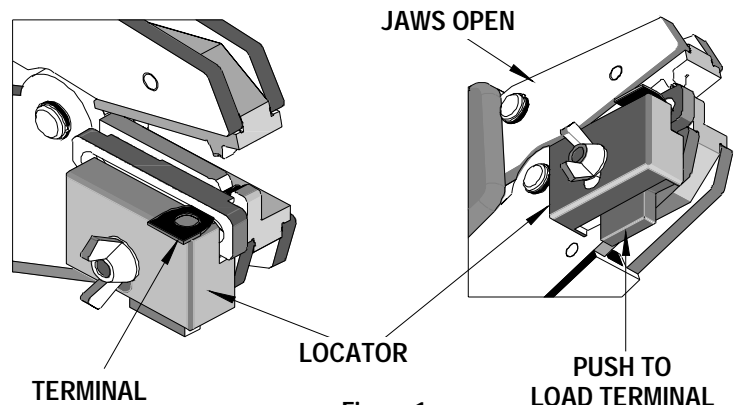


Figure 1

**Note:** The tamper proof ratchet action will not release the tool until it has been fully closed.

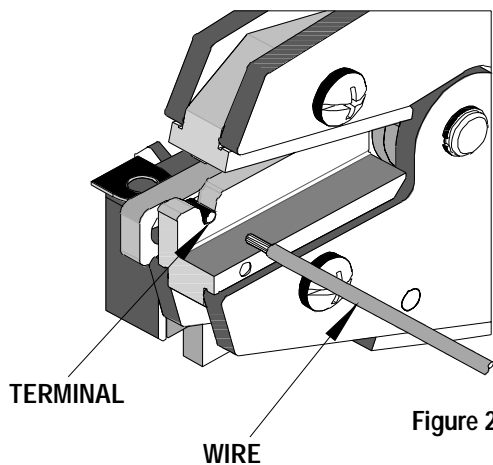


Figure 2

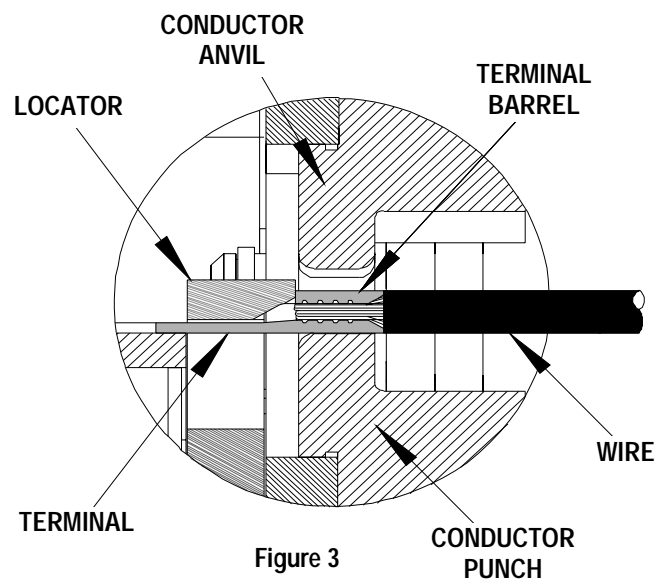


Figure 3

**Note:** Whenever crimping without the locator, make sure the seam of the terminal is oriented up or down in the tool if using unbraided product, as this will provide higher pull force values.

4. Remove the crimp and inspect for proper crimp location. Locator is adjustable up and down to keep terminals straight after crimping (See Figure 1). Molex offers a Crimp Inspection Handbook for closed barrel industrial product. See our website or contact your sales engineer.

## Maintenance

It is recommended that each operator of the tool be made aware of, and responsible for, the following maintenance steps:

1. Remove dust, moisture and other contaminants with a clean brush, or soft, lint-free cloth.
2. Do not use any abrasive materials that could damage the tool.
3. Make certain all pins; pivot points and bearing surfaces are protected with a thin coat of high quality machine oil. Do not oil excessively. This tool was engineered for durability, but like any fine piece of equipment it needs cleaning and lubrication for a maximum service life of trouble-free crimping. A light oil such as 30 weight automotive oil used at the oil points shown in Figure 4, every 5,000 crimps or 3 months will significantly enhance the tool life and ensure a stable calibration.
4. When tool is not in use, keep the handles closed to prevent objects from becoming lodged in the crimping dies, and store the tool in a clean, dry area.

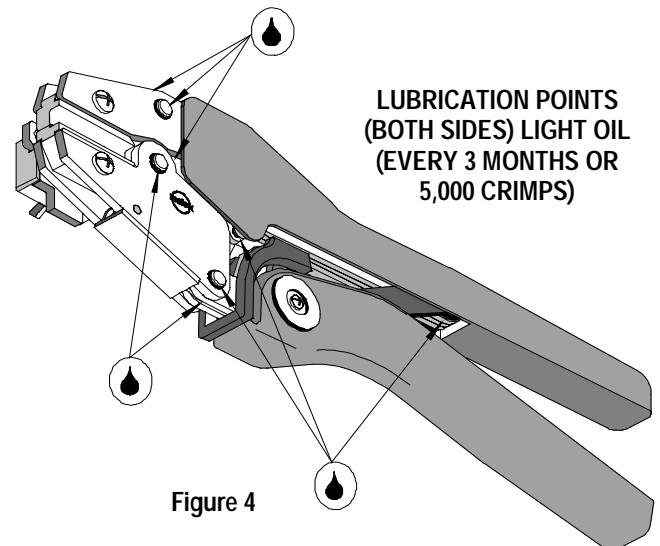


Figure 4

## Miscrimps or Jams (See Figure 5)

Should this tool ever become stuck or jammed in a partially closed position, **Do Not force the handles open or closed.** The tool will open easily by pressing the ratchet release lever.

## How To Adjust Tool Preload (See Figure 5)

Over the life of the tool, it may be necessary to adjust tool handle preload force. Listed below are the steps required to adjust the crimping force of the hand tool to obtain proper crimp conditions:

1. Remove the screw and plastic cover washer. Note the setting wheel position
2. Lift the setting wheel off the axle. Turn the eccentric axle with a screwdriver.
3. Turning the eccentric axle counter-clockwise (CCW) will increase handle force.
4. Replace the setting wheel to the axle, aligning the nearest notch in the setting wheel to the dowel pin.
5. Replace the plastic cover washer and screw.
6. Check the crimp specifications after tool handle preload force is adjusted.

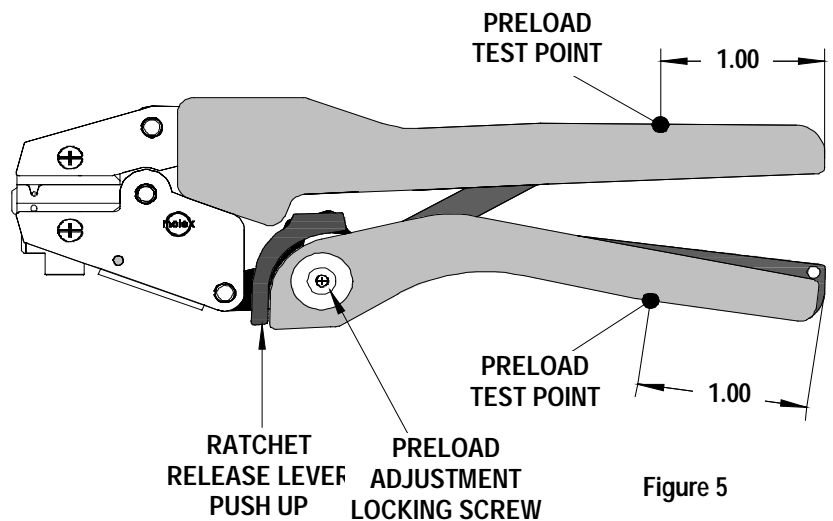
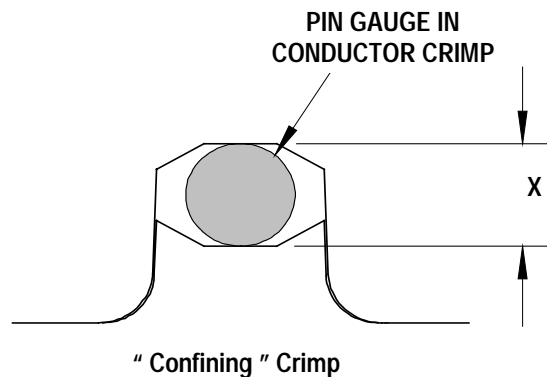


Figure 5

### Tool Calibration

A Certificate of Calibration (see last page) was supplied with the tool. To recalibrate this tool, a soft metal slug or solder should be crimped in the conductor nest and the "X" Dimension measured in each conductor nest and compared to this chart. The tool should be lubricated prior to recalibration to ensure consistent measurements. Handle preload is factory set to 25-45 LBS. See How to Adjust Tool Preload (See Figure 5) to recalibrate.



Nest Color Code	Wire Range		"X" Dimension Conductor Crimp		
	AWG	mm <sup>2</sup>	Mean	Go	No Go
Yellow	24 - 26	0.12 - 0.20	.042	.039	.050

### Warranty

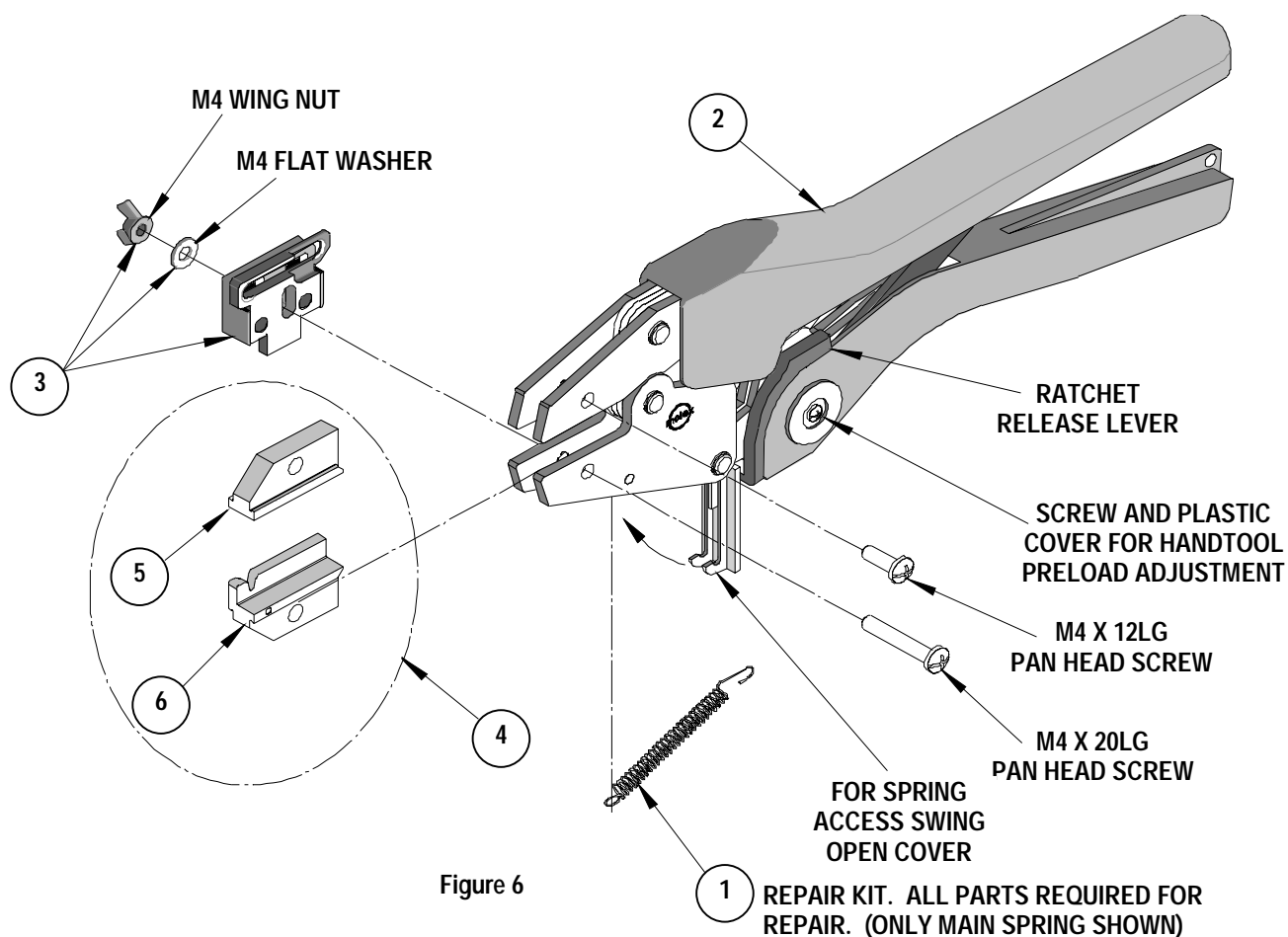
This tool is for electrical terminal crimping purposes only. This tool is made of the best quality materials. All vital components are long life tested. All tools are warranted to be free of manufacturing defects for a period of **30 days**. Should such a defect occur, we will repair or exchange the tool free of charge. This repair or exchange will not be applicable to altered, misused or damaged tools. This tool is designed for hand use only. Any clamping, fixturing, or use of handle extensions voids this warranty.

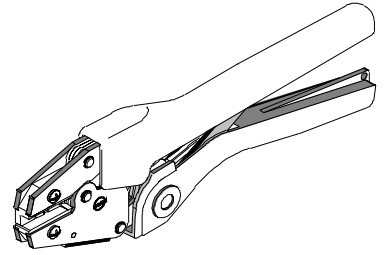
Hand held crimping tools are intended for low volume, prototyping, or repair requirements only.

**Caution: Repetitive use of this tool should be avoided.**

**PARTS LIST**

Item	Order No	Description	Quantity
	<b>64003-0400</b>	<b>Hand Crimp Tool</b>	<b>Figure 6</b>
1	64000-0076	Repair Kit (Springs, Pins and E-Rings)	1
2	63810-0000	Handle	1
3	64007-0375	Locator Assembly	1
4	64003-0470	Tooling Kit	1
<b>Tooling Kit Only</b>			
5	64003-0402	Conductor Anvil	1
6	64003-0401	Conductor Punch	1





### Certificate of Calibration

Tool Order Number \_\_\_\_\_

Tool Eng. Number \_\_\_\_\_

Tool Revision \_\_\_\_\_

Serial Number \_\_\_\_\_

Date of Manufacture \_\_\_\_\_

Handle Load Range at 1 inch from the Tips = \_\_\_\_\_

Actual = \_\_\_\_\_

Pin Gauge of Conductor Nest/Nests or Slug height if the nest is the "F" Crimp style.

Range Conductor Nest # 1 = \_\_\_\_\_ Actual = \_\_\_\_\_

Range Conductor Nest # 2 = \_\_\_\_\_ Actual = \_\_\_\_\_

Range Conductor Nest # 3 = \_\_\_\_\_ Actual = \_\_\_\_\_

Technician \_\_\_\_\_

Date of Calibration \_\_\_\_\_

Calibration should be done every 5,000 cycles or 3 months. Tools should be lubricated during this operation.

**Americas Headquarters**  
Lisle, Illinois 60532 U.S.A.  
1-800-78MOLEX  
amerinfo@molex.com

**Far East North Headquarters**  
Yamato, Kanagawa, Japan  
81-462-65-2324  
feninfo@molex.com

**Far East South Headquarters**  
Jurong, Singapore  
65-6-268-6868  
fesinfo@molex.com

**European Headquarters**  
Munich, Germany  
49-89-413092-0  
eurinfo@molex.com

**Corporate Headquarters**  
2222 Wellington Ct.  
Lisle, IL 60532 U.S.A.  
630-969-4550  
Fax: 630-969-1352

Visit our Web site at <http://www.molex.com>