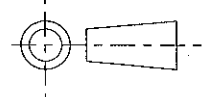


ISS.	DATE	E.C.N.	DESCRIPTION
1	17-Aug-06		FIRST ISSUE
1A	26-Jan-11	10/09/1254	DIM. TOLLERANCES CHANGED + NOTE ADDED

© 2010 CTP-COIL
ALL DIMENSIONS IN mm

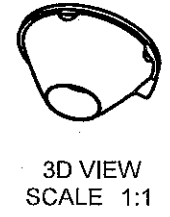
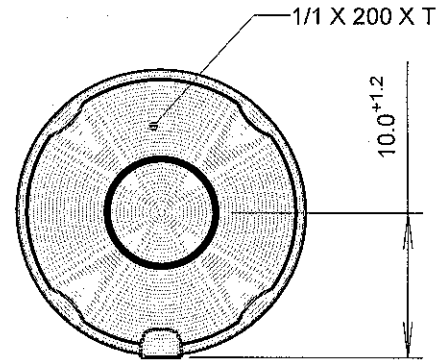


CUSTOMER DRAWING



CARCLO TECHNICAL PLASTICS (SLOUGH)
111 BUCKINGHAM AVE, SLOUGH
SL1 4PF, ENGLAND
TEL: +44 1753 575011 FAX: +44 1753 811359
e-mail: design@carclo-optics.com

- NOTES:
1. MATERIAL - UV STABILISED POLYCARBONATE
2. INCLUSIONS SPECIFIED TO BS4301



GENERAL TOLERANCES (UNLESS STATED)

LINEAR	ANGULAR
X +/- 0.25	X +/- 1°
X.X +/- 0.1	X.X +/- 0.5°
X.XX +/- 0.05	X.XX +/- 0.1°

CUSTOMER

CARCLO

TITLE

MEDIUM CIRCULAR 14MM
OFFSET FOCUS 20MM DIA OPTIC

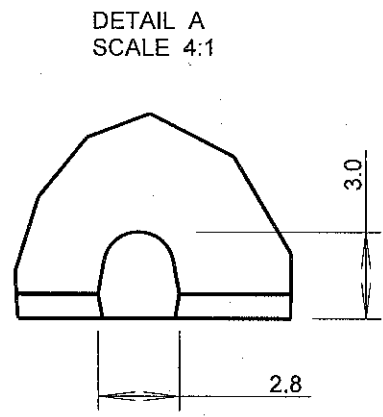
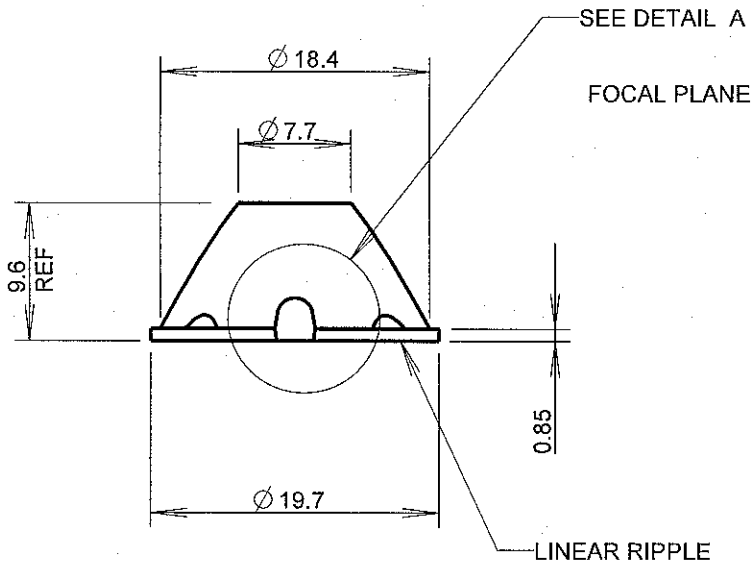
DRAWN AJD DATE 17-Aug-06

CHK'D DATE

APP'D DATE

SCALE 2:1 CARCLO PART No. 10210

SIZE A4 CARCLO DRG. No. 60438 SHEET 2 OF 2



	A	B	C	D	E	F	G
1							
2							
3							
4							
5							
	A	B	C	D	E	F	G