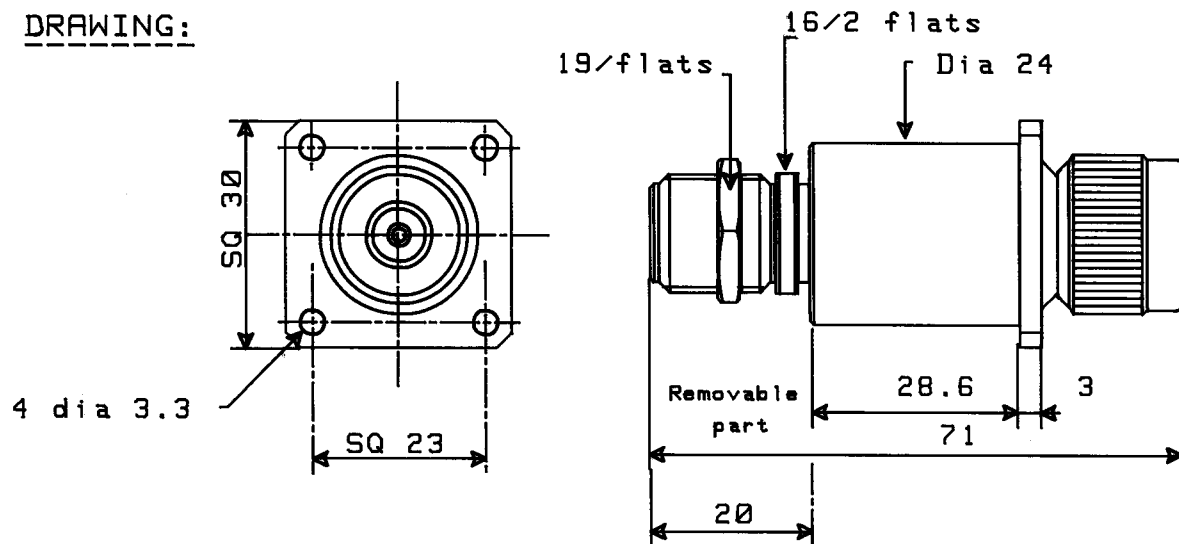


**RADIALL****R 447171000****TECHNICAL
DATA SHEET**TITLE **SINGLE CHANNEL ROTARY JOINT**LTR. **B**DRAWING:GENERAL TOLERANCES : ± 0.5 mmELECTRICAL CHARACTERISTICS :

FREQUENCY RANGE : DC - 12.4 GHz (usable up to 18 GHz)
 IMPEDANCE : 50 Ohms
 WOW ON V.S.W.R. : ≤ 1.02

FREQUENCY (GHz)	DC - 2	2 - 8	8 - 12.4
V.S.W.R. (\leq)	1.10	1.25	1.50
INSERT.LOSS (dB)	0.10	0.25	0.60
MAXIMUM POWER (W) at 25°C cw	200	100	60

PEAK POWER at 25°C : 2 kW (5 μ S)MECHANICAL CHARACTERISTICS:

CONNECTORS : N (male/female) per MIL C 39012
 MAXIMUM ROTATION SPEED : 100 rpm
 LIFE --- : $2 \cdot 10^6$ rotation
 MAXIMUM ROTATION TORQUE : 10cm.N
 MAXIMUM WEIGHT : 150 grams

ENVIRONMENTAL CHARACTERISTICS:

OPERATING TEMPERATURE RANGE : - 40°C + 85°C

PEN

QUALITY Dpt App.

MO
B

13 MAY 1991

PAGE

DATE

NAME

B

New issue

11/04/91 K.L.

1/4

11/04/91

K.LUCIEN

LTR

REVISIONS

DATE

APP.