

Rochester Electronics Manufactured Components

Rochester branded components are manufactured using either die/wafers purchased from the original suppliers or Rochester wafers recreated from the original IP. All recreations are done with the approval of the OCM.

Parts are tested using original factory test programs or Rochester developed test solutions to guarantee product meets or exceed the OCM data sheet.

Quality Overview

- ISO-9001
- AS9120 certification
- Qualified Manufacturers List (QML) MIL-PRF-35835
 - Class Q Military
 - Class V Space Level
- Qualified Suppliers List of Distributors (QSLD)
 - Rochester is a critical supplier to DLA and meets all industry and DLA standards.

Rochester Electronics, LLC is committed to supplying products that satisfy customer expectations for quality and are equal to those originally supplied by industry manufacturers.

The original manufacturer's datasheet accompanying this document reflects the performance and specifications of the Rochester manufactured version of this device. Rochester Electronics guarantees the performance of its semiconductor products to the original OEM specifications. 'Typical' values are for reference purposes only. Certain minimum or maximum ratings may be based on product characterization, design, simulation, or sample testing.

TYPES SN5430, SN54H30, SN54L30, SN54LS30, SN54S30, SN7430, SN74H30, SN74LS30, SN74S30 8-INPUT POSITIVE-NAND GATES

REVISED DECEMBER 1983

- Package Options Include Both Plastic and Ceramic Chip Carriers in Addition to Plastic and Ceramic DIPs
- Dependable Texas Instruments Quality and Reliability

description

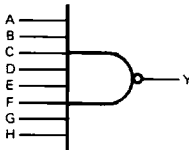
These devices contain a single 8-input NAND gate.

The SN5430, SN54H30, SN54L30, SN54LS30, and SN54S30 are characterized for operation over the full military range of -55°C to 125°C . The SN7430, SN74H30, SN74LS30, and SN74S30 are characterized for operation from 0°C to 70°C .

FUNCTION TABLE

| INPUTS A THRU H | OUTPUT Y |
|----------------------|----------|
| All inputs H | L |
| One or more inputs L | H |

logic diagram

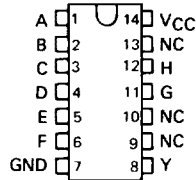


positive logic

$$Y = \overline{A \cdot B \cdot C \cdot D \cdot E \cdot F \cdot G \cdot H} \quad \text{or} \\ Y = \overline{A} + \overline{B} + \overline{C} + \overline{D} + \overline{E} + \overline{F} + \overline{G} + \overline{H}$$

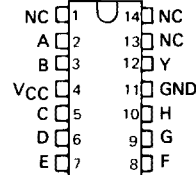
SN5430, SN54H30, SN54L30 . . . J PACKAGE
SN54LS30, SN54S30 . . . J OR W PACKAGE
SN7430, SN74H30 . . . J OR N PACKAGE
SN74LS30, SN74S30 . . . D, J OR N PACKAGE

(TOP VIEW)



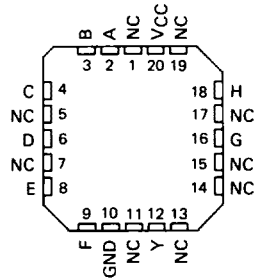
SN5430, SN54H30 . . . W PACKAGE

(TOP VIEW)



SN54LS30, SN54S30 . . . FK PACKAGE
SN74LS30, SN74S30 . . . FN PACKAGE

(TOP VIEW)



NC - No internal connection

3

TTL DEVICES

PRODUCTION DATA

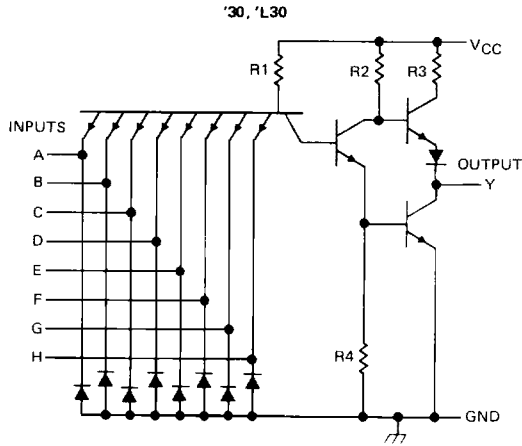
This document contains information current as of publication date. Products conform to specifications per the terms of Texas Instruments standard warranty. Production processing does not necessarily include testing of all parameters.

TEXAS
INSTRUMENTS

POST OFFICE BOX 225012 • DALLAS, TEXAS 75265

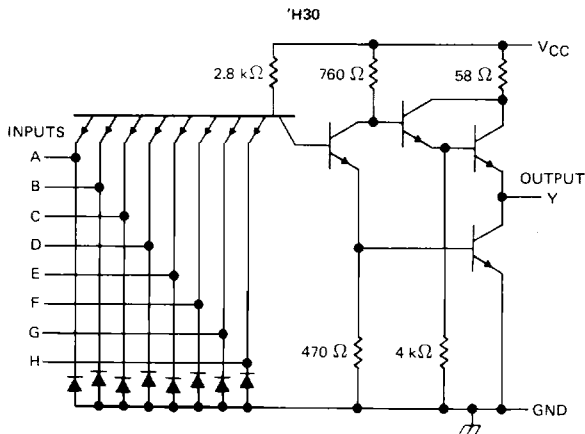
**TYPES SN5430, SN54H30, SN54L30,
SN7430, SN74H30
8-INPUT POSITIVE-NAND GATES**

schematics (each gate)



| CIRCUIT | R1 | R2 | R3 | R4 |
|---------|---------------|----------------|--------------|---------------|
| '30 | 4 k Ω | 1.6 k Ω | 130 Ω | 1 k Ω |
| 'L30 | 40 k Ω | 20 k Ω | 500 Ω | 12 k Ω |

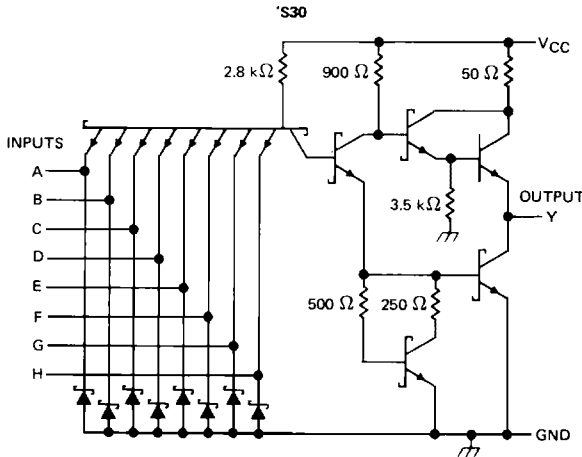
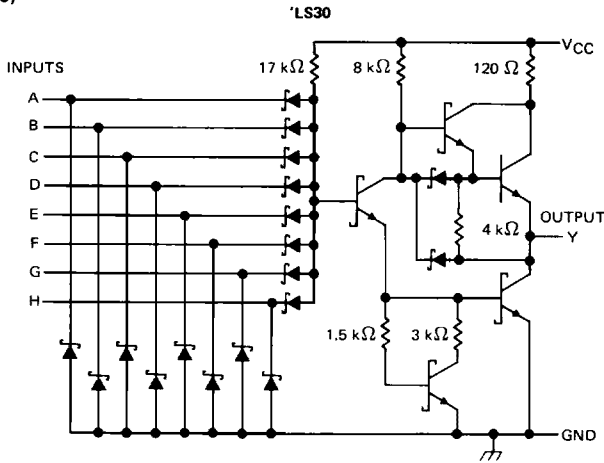
Input clamp diodes not on SN54L30 circuit.



Resistor values shown are nominal.

TYPES SN5430, SN54H30, SN54L30, SN54LS30, SN54S30, SN7430, SN74H30, SN74LS30, SN74S30 8-INPUT POSITIVE-NAND GATES

schematics (each gate)



Resistor values shown are nominal.

absolute maximum ratings over operating free-air temperature range (unless otherwise noted)

| | |
|---|----------------|
| Supply voltage, V_{CC} (see Note 1): '30, 'H30, 'LS30, 'S30 | 7 V |
| 'L30 | 8 V |
| Input voltage: '30, 'H30, 'L30, 'S30 | 5.5 V |
| 'LS30 | 7 V |
| Operating free-air temperature: SN54' | -55°C to 125°C |
| SN74' | 0°C to 70°C |
| Storage temperature range | -65°C to 150°C |

NOTE 1: Voltage values are with respect to network ground terminal.

TYPES SN5430, SN7430

8-INPUT POSITIVE-NAND GATES

recommended operating conditions

| | SN5430 | | | SN7430 | | | UNIT |
|---|--------|-----|------|--------|-----|------|------|
| | MIN | NOM | MAX | MIN | NOM | MAX | |
| V _{CC} Supply voltage | 4.5 | 5 | 5.5 | 4.75 | 5 | 5.25 | V |
| V _{IH} High-level input voltage | 2 | | | 2 | | | V |
| V _{IL} Low-level input voltage | | | 0.8 | | | 0.8 | V |
| I _{OH} High-level output current | | | -0.4 | | | -0.4 | mA |
| I _{OL} Low-level output current | | | 16 | | | 16 | mA |
| T _A Operating free-air temperature | -55 | | 125 | 0 | | 70 | °C |

electrical characteristics over recommended operating free-air temperature range (unless otherwise noted)

| PARAMETER | TEST CONDITIONS † | SN5430 | | | SN7430 | | | UNIT |
|-------------------|---|--------|-------|------|--------|-------|------|------|
| | | MIN | TYP ‡ | MAX | MIN | TYP ‡ | MAX | |
| V _{IK} | V _{CC} = MIN, I _I = -12 mA | | -1.5 | | | -1.5 | V | |
| V _{OH} | V _{CC} = MIN, V _{IL} = 0.8 V, I _{OH} = -0.4 mA | 2.4 | 3.4 | | 2.4 | 3.4 | V | |
| V _{OL} | V _{CC} = MIN, V _{IH} = 2 V, I _{OL} = 16 mA | | 0.2 | 0.4 | | 0.2 | 0.4 | V |
| I _I | V _{CC} = MAX, V _I = 5.5 V | | | 1 | | | 1 | mA |
| I _{IH} | V _{CC} = MAX, V _I = 2.4 V | | | 40 | | | 40 | μA |
| I _{IL} | V _{CC} = MAX, V _I = 0.4 V | | | -1.6 | | | -1.6 | mA |
| I _{OS} § | V _{CC} = MAX | -20 | | -55 | -18 | | -55 | mA |
| I _{CCH} | V _{CC} = MAX, V _I = 0 V | | 1 | 2 | | 1 | 2 | mA |
| I _{CCL} | V _{CC} = MAX, V _I = 4.5 V | | 3 | 6 | | 3 | 6 | mA |

† For conditions shown as MIN or MAX, use the appropriate value specified under recommended operating conditions.

‡ All typical values are at V_{CC} = 5 V, T_A = 25°C.

§ Not more than one output should be shorted at a time.

switching characteristics, V_{CC} = 5 V, T_A = 25°C (see note 2)

| PARAMETER | FROM (INPUT) | TO (OUTPUT) | TEST CONDITIONS | | MIN | TYP | MAX | UNIT |
|------------------|--------------|-------------|-------------------------|------------------------|-----|-----|-----|------|
| t _{PLH} | Any | Y | R _L = 400 Ω, | C _L = 15 pF | | 13 | 22 | ns |
| t _{PHL} | | | | | | 8 | 15 | ns |

NOTE 2: See General Information Section for load circuits and voltage waveforms.

3

TTL DEVICES

TYPES SN54H30, SN74H30 8-INPUT POSITIVE-NAND GATES

recommended operating conditions

| | SN54H30 | | | SN74H30 | | | UNIT |
|--------------------------------------|---------|-----|------|---------|-----|------|------|
| | MIN | NOM | MAX | MIN | NOM | MAX | |
| V_{CC} Supply voltage | 4.5 | 5 | 5.5 | 4.75 | 5 | 5.25 | V |
| V_{IH} High-level input voltage | 2 | | | 2 | | | V |
| V_{IL} Low-level input voltage | | | 0.8 | | | 0.8 | V |
| I_{OH} High-level output current | | | -0.5 | | | -0.5 | mA |
| I_{OL} Low-level output current | | | 20 | | | 20 | mA |
| T_A Operating free-air temperature | -55 | | 125 | 0 | | 70 | °C |

electrical characteristics over recommended operating free-air temperature range (unless otherwise noted)

| PARAMETER | TEST CONDITIONS † | MIN | TYP ‡ | MAX | UNIT |
|------------|---|-----|-------|------|------|
| V_{IK} | $V_{CC} = \text{MIN}, I_I = -8 \text{ mA}$ | | | -1.5 | V |
| V_{OH} | $V_{CC} = \text{MIN}, V_{IL} = 0.8 \text{ V}, I_{OH} = -0.5 \text{ mA}$ | 2.4 | 3.5 | | V |
| V_{OL} | $V_{CC} = \text{MIN}, V_{IH} = 2 \text{ V}, I_{OL} = 20 \text{ mA}$ | | 0.2 | 0.4 | V |
| I_I | $V_{CC} = \text{MAX}, V_I = 5.5 \text{ V}$ | | | 1 | mA |
| I_{IH} | $V_{CC} = \text{MAX}, V_I = 2.4 \text{ V}$ | | | 50 | μA |
| I_{IL} | $V_{CC} = \text{MAX}, V_I = 0.4 \text{ V}$ | | | -2 | mA |
| $I_{OS} §$ | $V_{CC} = \text{MAX}$ | -40 | | -100 | mA |
| I_{CCH} | $V_{CC} = \text{MAX}, V_I = 0 \text{ V}$ | | 2.5 | 4.2 | mA |
| I_{CCL} | $V_{CC} = \text{MAX}, V_I = 4.5 \text{ V}$ | | 6.5 | 10 | mA |

† For conditions shown as MIN or MAX, use the appropriate value specified under recommended operating conditions.

‡ All typical values are at $V_{CC} = 5 \text{ V}, T_A = 25^\circ\text{C}$.

§ Not more than one output should be shorted at a time, and the duration of the short-circuit should not exceed one second.

switching characteristics, $V_{CC} = 5 \text{ V}, T_A = 25^\circ\text{C}$ (see note 2)

| PARAMETER | FROM (INPUT) | TO (OUTPUT) | TEST CONDITIONS | MIN | TYP | MAX | UNIT |
|-----------|--------------|-------------|---|-----|-----|-----|------|
| t_{PLH} | Any | Y | $R_L = 280 \Omega, C_L = 25 \text{ pF}$ | | 6.8 | 10 | ns |
| t_{PHL} | | | | | 8.9 | 12 | ns |

NOTE 2: See General Information Section for load circuits and voltage waveforms.

3

TTL DEVICES

TYPE SN54L30

8-INPUT POSITIVE-NAND GATES

recommended operating conditions

| | SN54L30 | | | UNIT |
|---|---------|-----|------|------|
| | MIN | NOM | MAX | |
| V _{CC} Supply voltage | 4.5 | 5 | 5.5 | V |
| V _{IH} High-level input voltage | 2 | | | V |
| V _{IL} Low-level input voltage | | | 0.7 | V |
| I _{OH} High-level output current | | | -0.1 | mA |
| I _{OL} Low-level output current | | | 2 | mA |
| T _A Operating free-air temperature | -55 | | 125 | °C |

electrical characteristics over recommended operating free-air temperature range (unless otherwise noted)

| PARAMETER | TEST CONDITIONS † | SN54L30 | | | UNIT |
|-------------------|---|---------|-------|-------|------|
| | | MIN | TYP ‡ | MAX | |
| V _{OH} | V _{CC} = MIN, V _{IL} = 0.7 V, I _{OH} = -0.1 mA | 2.4 | 3.3 | | V |
| V _{OL} | V _{CC} = MIN, V _{IH} = 2 V, I _{OL} = 2 mA | | 0.15 | 0.3 | V |
| I _I | V _{CC} = MAX, V _I = 5.5 V | | | 0.1 | mA |
| I _{IH} | V _{CC} = MAX, V _I = 2.4 V | | | 10 | μA |
| I _{IL} | V _{CC} = MAX, V _I = 0.3 V | | | -0.18 | mA |
| I _{OS} § | V _{CC} = MAX | -3 | | -15 | mA |
| I _{CCH} | V _{CC} = MAX, V _I = 0 V | | 0.11 | 0.33 | mA |
| I _{CCL} | V _{CC} = MAX, V _I = 4.5 V | | 0.29 | 0.51 | mA |

† For conditions shown as MIN or MAX, use the appropriate value specified under recommended operating conditions.

‡ All typical values are at V_{CC} = 5 V, T_A = 25°C.

§ Not more than one output should be shorted at a time.

switching characteristics, V_{CC} = 5 V, T_A = 25°C (see note 2)

| PARAMETER | FROM (INPUT) | TO (OUTPUT) | TEST CONDITIONS | MIN | TYP | MAX | UNIT |
|------------------|--------------|-------------|---|-----|-----|-----|------|
| t _{PLH} | Any | Y | R _L = 4 kΩ, C _L = 50 pF | | 35 | 60 | ns |
| t _{PHL} | | | | | 70 | 100 | ns |

NOTE 2: See General Information Section for load circuits and voltage waveforms.

3

TTL DEVICES

TYPES SN54LS30, SN74LS30 8-INPUT POSITIVE-NAND GATES

recommended operating conditions

| | SN54LS30 | | | SN74LS30 | | | UNIT |
|--------------------------------------|----------|-----|------|----------|-----|------|------|
| | MIN | NOM | MAX | MIN | NOM | MAX | |
| V_{CC} Supply voltage | 4.5 | 5 | 5.5 | 4.75 | 5 | 5.25 | V |
| V_{IH} High-level input voltage | 2 | | | 2 | | | V |
| V_{IL} Low-level input voltage | | | 0.7 | | | 0.8 | V |
| I_{OH} High-level output current | | | -0.4 | | | -0.4 | mA |
| I_{OL} Low-level output current | | | 4 | | | 8 | mA |
| T_A Operating free-air temperature | -55 | | 125 | 0 | | 70 | °C |

electrical characteristics over recommended operating free-air temperature range (unless otherwise noted)

| PARAMETER | TEST CONDITIONS † | SN54LS30 | | | SN74LS30 | | | UNIT |
|------------|--|----------|------|------|----------|------|------|------|
| | | MIN | TYP‡ | MAX | MIN | TYP‡ | MAX | |
| V_{IK} | $V_{CC} = \text{MIN}$, $I_I = -18 \text{ mA}$ | | | -1.5 | | | -1.5 | V |
| V_{OH} | $V_{CC} = \text{MIN}$, $V_{IL} = \text{MAX}$, $I_{OH} = -0.4 \text{ mA}$ | 2.5 | 3.4 | | 2.7 | 3.4 | | V |
| V_{OL} | $V_{CC} = \text{MIN}$, $V_{IH} = 2 \text{ V}$, $I_{OL} = 4 \text{ mA}$ | | 0.25 | 0.4 | | | 0.4 | V |
| | $V_{CC} = \text{MIN}$, $V_{IH} = 2 \text{ V}$, $I_{OL} = 8 \text{ mA}$ | | | | | 0.25 | 0.5 | |
| I_I | $V_{CC} = \text{MAX}$, $V_I = 7 \text{ V}$ | | | 0.1 | | | 0.1 | mA |
| I_{IH} | $V_{CC} = \text{MAX}$, $V_I = 2.7 \text{ V}$ | | | 20 | | | 20 | µA |
| I_{IL} | $V_{CC} = \text{MAX}$, $V_I = 0.4 \text{ V}$ | | | -0.4 | | | -0.4 | mA |
| $I_{OS} §$ | $V_{CC} = \text{MAX}$ | -20 | | -100 | -20 | | -100 | mA |
| I_{CCH} | $V_{CC} = \text{MAX}$, $V_I = 0 \text{ V}$ | | 0.35 | 0.5 | | 0.35 | 0.5 | mA |
| I_{CCL} | $V_{CC} = \text{MAX}$, $V_I = 4.5 \text{ V}$ | | 0.6 | 1.1 | | 0.6 | 1.1 | mA |

† For conditions shown as MIN or MAX, use the appropriate value specified under recommended operating conditions.

‡ All typical values are at $V_{CC} = 5 \text{ V}$, $T_A = 25^\circ\text{C}$.

§ Not more than one output should be shorted at a time, and the duration of the short-circuit should not exceed one second.

switching characteristics, $V_{CC} = 5 \text{ V}$, $T_A = 25^\circ\text{C}$ (see note 2)

| PARAMETER | FROM (INPUT) | TO (OUTPUT) | TEST CONDITIONS | | MIN | TYP | MAX | UNIT |
|-----------|--------------|-------------|-----------------------------|-----------------------|-----|-----|-----|------|
| t_{PLH} | Any | Y | $R_L = 2 \text{ k}\Omega$, | $C_L = 15 \text{ pF}$ | | 8 | 15 | ns |
| t_{PHL} | | | | | | 13 | 20 | ns |

NOTE 2: See General Information Section for load circuits and voltage waveforms

3

TTL DEVICES

TYPES SN54S30, SN74S30

8-INPUT POSITIVE-NAND GATES

recommended operating conditions

| | SN54S30 | | | SN74S30 | | | UNIT |
|---|---------|-----|-----|---------|-----|------|------|
| | MIN | NOM | MAX | MIN | NOM | MAX | |
| V _{CC} Supply voltage | 4.5 | 5 | 5.5 | 4.75 | 5 | 5.25 | V |
| V _{IH} High-level input voltage | 2 | | | 2 | | | V |
| V _{IL} Low-level input voltage | | | 0.8 | | | 0.8 | V |
| I _{OH} High-level output current | | | -1 | | | -1 | mA |
| I _{OL} Low-level output current | | | 20 | | | 20 | mA |
| T _A Operating free-air temperature | -55 | | 125 | 0 | | 70 | °C |

electrical characteristics over recommended operating free-air temperature range (unless otherwise noted)

| PARAMETER | TEST CONDITIONS † | SN54S30 | | | SN74S30 | | | UNIT |
|-------------------|---|---------|-------|------|---------|-------|------|------|
| | | MIN | TYP ‡ | MAX | MIN | TYP ‡ | MAX | |
| V _{IK} | V _{CC} = MIN, I _I = -18 mA | | | -1.2 | | | -1.2 | V |
| V _{OH} | V _{CC} = MIN, V _{IL} = 0.8 V, I _{OH} = -1 mA | 2.5 | 3.4 | | 2.7 | 3.4 | | V |
| V _{OL} | V _{CC} = MIN, V _{IH} = 2 V, I _{OL} = 20 mA | | | 0.5 | | | 0.5 | V |
| I _I | V _{CC} = MAX, V _I = 5.5 V | | | 1 | | | 1 | mA |
| I _{IH} | V _{CC} = MAX, V _I = 2.7 V | | | 50 | | | 50 | µA |
| I _{IL} | V _{CC} = MAX, V _I = 0.5 V | | | -2 | | | -2 | mA |
| I _{OS} § | V _{CC} = MAX | -40 | | -100 | -40 | | -100 | mA |
| I _{CCH} | V _{CC} = MAX, V _I = 0 V | | 3 | 5 | | 3 | 5 | mA |
| I _{CCL} | V _{CC} = MAX, V _I = 4.5 V | | 5.5 | 10 | | 5.5 | 10 | mA |

† For conditions shown as MIN or MAX, use the appropriate value specified under recommended operating conditions.

‡ All typical values are at V_{CC} = 5 V, T_A = 25°C.

§ Not more than one output should be shorted at a time, and the duration of the short-circuit should not exceed one second.

switching characteristics, V_{CC} = 5 V, T_A = 25°C (see note 2)

| PARAMETER | FROM (INPUT) | TO (OUTPUT) | TEST CONDITIONS | MIN | TYP | MAX | UNIT |
|------------------|--------------|-------------|--|-----|-----|-----|------|
| t _{PLH} | Any | Y | R _L = 280 Ω, C _L = 15 pF | | 4 | 6 | ns |
| t _{PHL} | | | | | 4.5 | 7 | ns |
| t _{PLH} | | | R _L = 280 Ω, C _L = 50 pF | | 5.5 | | ns |
| t _{PHL} | | | | | 6.5 | | ns |

NOTE 2: See General Information Section for load circuits and voltage waveforms.

3

TTL DEVICES