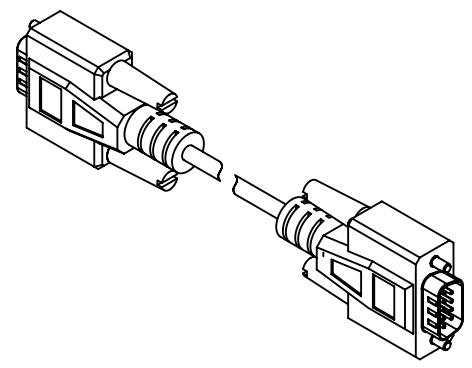
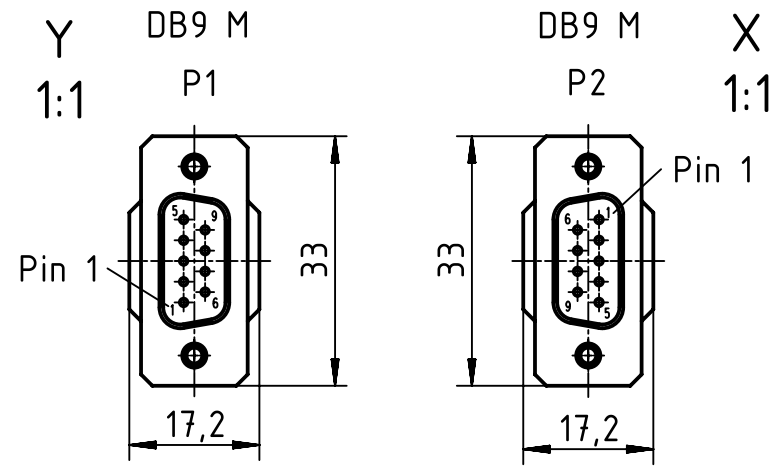
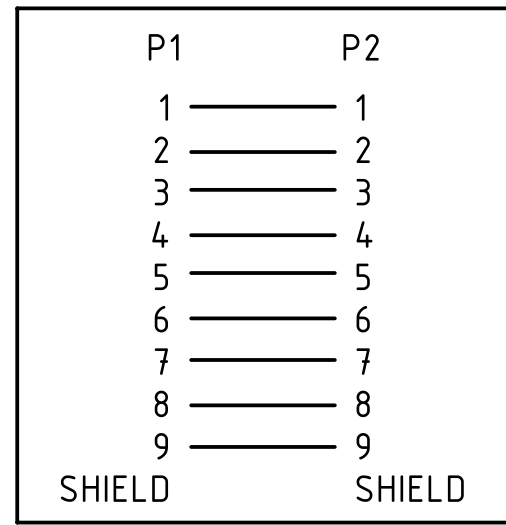


circuit diagram



	All rights reserved Department EL PD - DE HARTING Electric GmbH & Co. KG D-32339 Espelkamp	All Dimensions in mm Original Size DIN A4	Scale 1:2	Free size tol.	Ref. Sub.
		Created by FINKEV	Inspected by BERGHORN	Standardisation RUETERA	Date 2014-12-09
Title Cable SUB-D9,m-m; 2 m					Doc-Key / ECM-Nr. 100093538/UGD/003/A 500000082786
Type TB		Number 39 50 903 0010			Rev. A
					Page 1/1