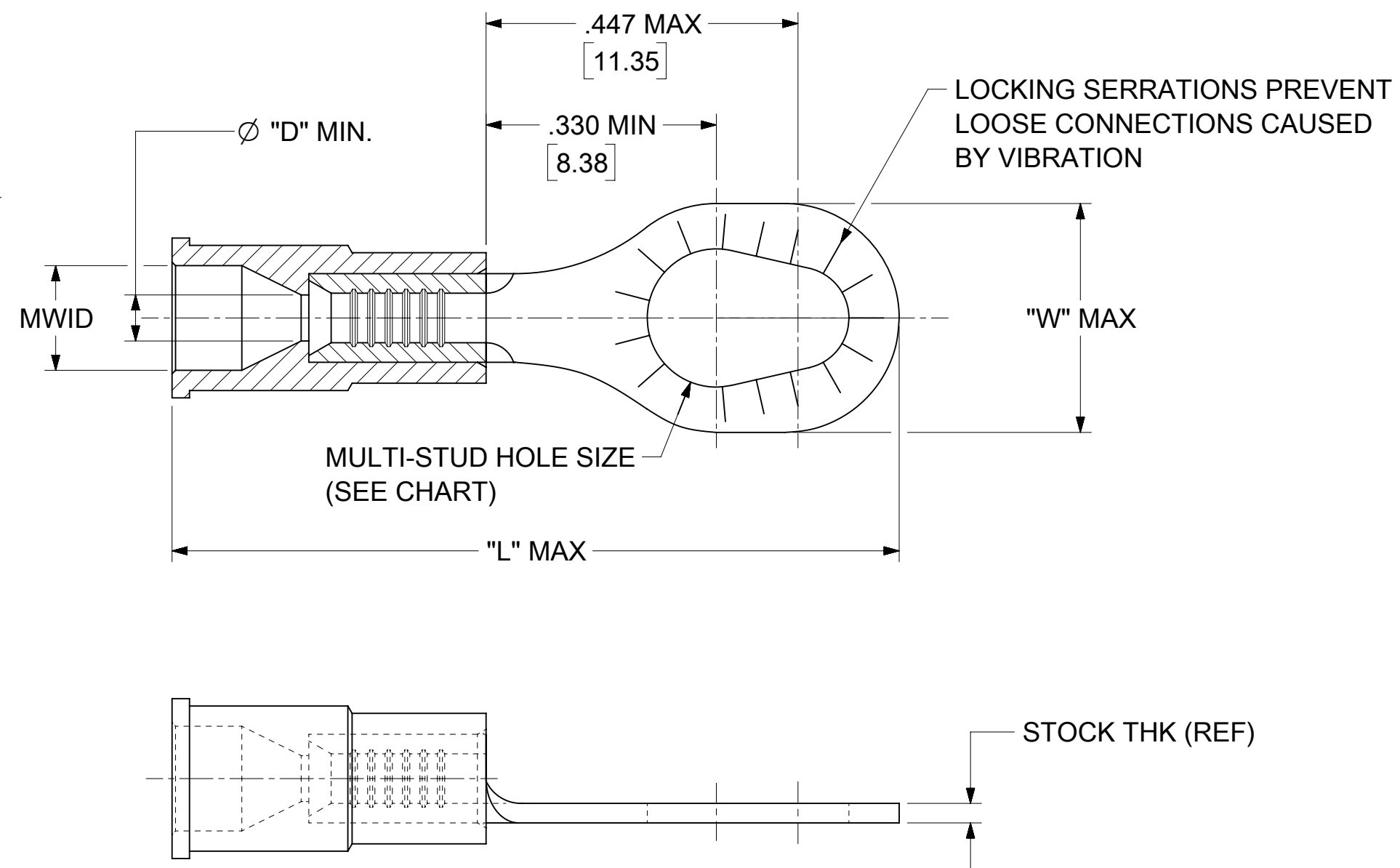


MAT'L NO.	ENG NO.	(TAPE) MAT'L NO.	(TAPE) ENG NO.	WIRE - AWG	ENG NO.	STOCK THK	"D" MIN	"L" MAX	"W" MAX	MWID	MULTI-STUD HOLE SIZE
190800003	B-2006-MSX	----	----	16-14 (1.0-2.5MM ²)	BLUE	.03 (0.8)	.081 (2.06)	1.07 (27.2)	.36 (9.2)	.175 (4.45)	06 (.146/ 3.71), 08 (.173/ 4.39), 10 (.198/ 5.03)
190800005	C-2006-MSX	190800006	C-2006-MSXT	12-10 (4.0-6.0MM ²)	YELLOW	.04 (1.0)	.128 (3.25)	1.19 (30.3)	.41 (10.4)	.250 (6.35)	

A



- NOTE(S):
1. CONDUCTOR MATERIAL: COPPER
PLATING: TIN
 2. PVC INSULATION: COLOR CODED (SEE CHART)
 3. MWID = MAX WIRE INSULATION DIAMETER
 4. PARTS ARE RoHS COMPLIANT.

SYMBOLS	THIS DRAWING CONTAINS INFORMATION THAT IS PROPRIETARY TO MOLEX ELECTRONIC TECHNOLOGIES, LLC AND SHOULD NOT BE USED WITHOUT WRITTEN PERMISSION												
	DIMENSION UNITS	SCALE		CURRENT REV DESC: MIGRATE TO NX, UPDATE PART NO.'S, & RMV OBSO PN 190800003 (A-2006-MSX)								molex	
▽ = 0	INCH/MM	NTS		GENERAL TOLERANCES (UNLESS SPECIFIED)									
▽ = 0				EC NO: 631615								PRODUCT CUSTOMER DRAWING	
▽ = 0				4 PLACES ±				DRWN: DMYRICK 2020/01/30				DOCUMENT NUMBER	
▽ = 0				3 PLACES ±				CHK'D: JMACNEIL 2020/02/05				MSRINGIN	
▽ = 0				2 PLACES ±				APPR: JMACNEIL 2020/02/05				PSD 001	
▽ = 0				1 PLACE ±				INITIAL REVISION:				REVISION	
▽ = 0				0 PLACES ±				DRWN: RFC_PLMIMP 2020/01/23				A	
▽ = 0				ANGULAR TOL ± °				APPR: RFC_PLMIMP 2020/01/23					
▽ = 0				DRAFT WHERE APPLICABLE MUST REMAIN WITHIN DIMENSIONS				THIRD ANGLE PROJECTION		DRAWING		SHEET NUMBER	
▽ = 0				B-SIZE		SERIES		MATERIAL NUMBER		CUSTOMER		1 OF 1	