

920 Series Midget Flanged Incandescent Lampholders

Overview

The 920 Series is a relampable midget flanged base lampholder. The mating lens cap accepts a T-1 3/4 midget flanged base incandescent lamp, held in the lens assembly by means of a friction fit which insures good contact and prevents the lamp from falling out when the lens is removed. A Littelite Lens Cap Assembly must be used with the holder to hold the lamp in proper relationship to the socket contact. Also available with RFI/EMI shielded lens to eliminate the possible transmission or reception of RF signals.

Approvals

UL Recognized. For MIL Spec Lampholders, contact the factory

Specification

Housing: Aluminum. Black anodized finish standard. Clear anodized or yellow iridescent chromate finish optional.

Internal Tooth Lockwasher & Hex Nut: Steel. Zinc-plated with yellow iridescent chromate finish.

Terminals: Brass. Tin-plated with elongated slot (3/64" x 3/32"). Tapered to accept a quick-connect receptacle.

Socket: Brass. Nickel-plated.

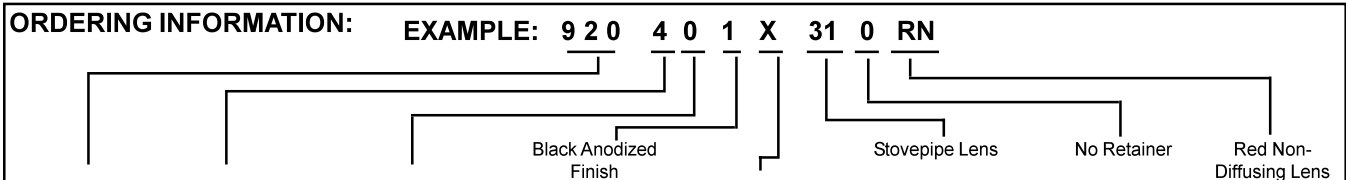
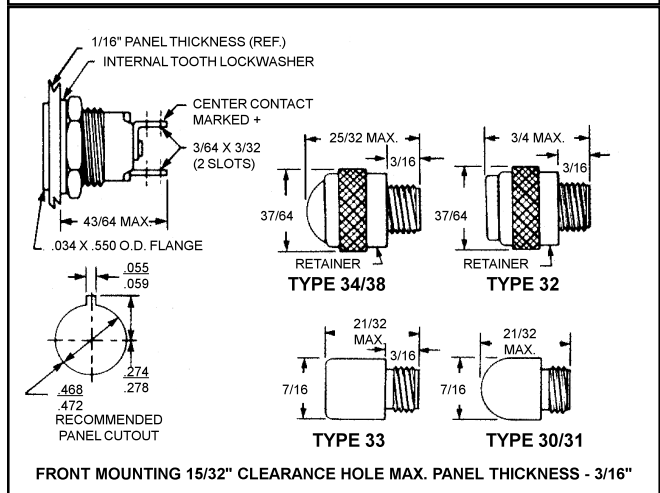
Lens: Heat resistant, high strength polycarbonate.

Lens Marking: Flat rotatable lenses may be stamped. Contact factory.

Lens Barrel: Brass. Nickel-plated.

Retainer: Aluminum. Black or clear anodized finish.

920 Series Maximum Rating: 1.12 Watts, 28 Volts.



Series Number	Lampholders				Lens Cap Assembly		
	Termination	Features	Finish	Resistor	Lens Style	Retainer	Lens Color
920	4 Solder Cup	0 None	1 Black Anodized - Standard 2 Clear (Silver) Anodized 3 Yellow Iridescent Chromate	X None Required	31 ⁴ Stovepipe	0 ³ No Retainer	Nondiffusing
					32 ^{1,4} Flat Rotatable		AN Amber BN Blue CN Colorless GN Green RN Red WN White YN Yellow
					33 ⁴ Cylindrical	1 Black Anodized Finish Standard	Translucent
					34 ⁵ Convex		AT Amber BT Blue GT Green RT Red WT White YT Yellow
					38 ⁶ Convex	2 Clear (Silver) Anodized Finish	Diffusing
					30 Stovepipe - RFI/EMI Shielded		AD Amber BD Blue CD Colorless GD Green RD Red YD Yellow

¹ Lens Marking Available. Contact the factory.
² Use with type 3 finish on lampholder.
³ No retainer required with types 30, 31, and 33 lenses.
⁴ Nondiffusing and Translucent Lens Colors Only.
⁵ Nondiffusing Lens Colors Only.
⁶ Diffusing Lens Colors Only.

921 Series Midget Flanged Neon Lampholders

Overview

The 921 Series is a relampable midget flanged base lampholder designed to accept T-2 neon midget flanged base lamps, including the C7A (NE-2D) Standard Brightness Lamp or the C9A (NE-2J) High Brightness Lamp. Also available with RFI/EMI shielded lens to eliminate the possible transmission or reception of RF signals.

Approvals

UL Recognized. For MIL Spec Lampholders, contact the factory

Specifications

Housing: Aluminum. Black anodized finish standard. Clear anodized or yellow iridescent chromate finish are optional.

Internal Tooth Lockwasher & Hex Nut: Steel. Zinc-plated with yellow iridescent chromate finish.

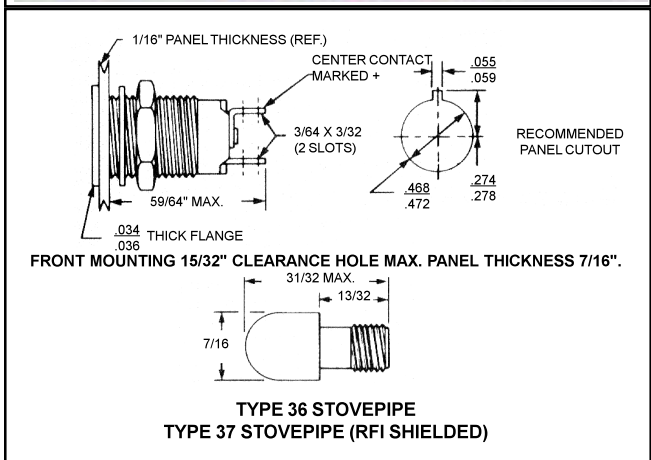
Terminals: Brass. Tin-plated with elongated slot (3/64" x 3/32"). Tapered to accept a quick-connect receptacle.

Socket: Brass. Nickel-plated.

Lens: Heat resistant, high strength polycarbonate.

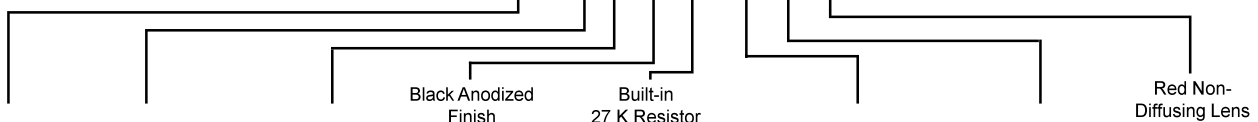
Lens Barrel: Brass. Nickel-plated.

921 Series Maximum Rating: 3 Watts, 125 Volts.



ORDERING INFORMATION:

EXAMPLE: 9 2 1 4 0 1 R 36 0 RN



Series Number	Lampholders				Lens Cap Assembly		
	Termination	Features	Finish	Resistor	Lens Style	Retainer	Lens Color
921	4 Solder Lug Terminals	0 None	1 Black Anodized - Standard	R 27K OHM	36 Stovepipe 37 ² Stovepipe - RFI/EMI Shielded	0 No Retainer	Nondiffusing (Clear)
			2 Clear (Silver) Anodized	D 62K OHM			AN Amber
			3 Yellow Iridescent Chromate	S 33K OHM			CN Colorless
				E 100K OHM			RN Red
							WN White (Cloudy)
							YN Yellow

¹ See back page of Littelite section for Lampholder/Resistor Selection.

² Use with type 3 finish on lampholder.

922, 923 & 924 Midget Flanged Incandescent Lampholders

Overview

The 922, 923 and 924 Series are relampable midget flanged base lampholders. The mating lens cap accepts a T-1 3/4 midget flanged base incandescent lamp, held in the lens assembly by means of a friction fit which insures good contact and prevents the lamp from falling out when the lens is removed. A Littelites Lens Cap Assembly must be used with the holder to hold the lamp in proper relationship to the socket contact.

Approvals

UL Recognized.

Specifications

Housing: Brass. Black nickel finish standard. Bright nickel or chrome finish optional.

Internal Tooth Lockwasher: Nickel-plated finish.

Hex Nut: Brass. 922 and 923 Series: Bright nickel finish. 924 Series: Same finish as housing finish.

Terminals: Brass. Tin-plated with elongated slot (3/64" x 3/32"). Tapered to accept a quick-connect receptacle. Center contact marked +.

Socket: Brass. Bright nickel-plated.

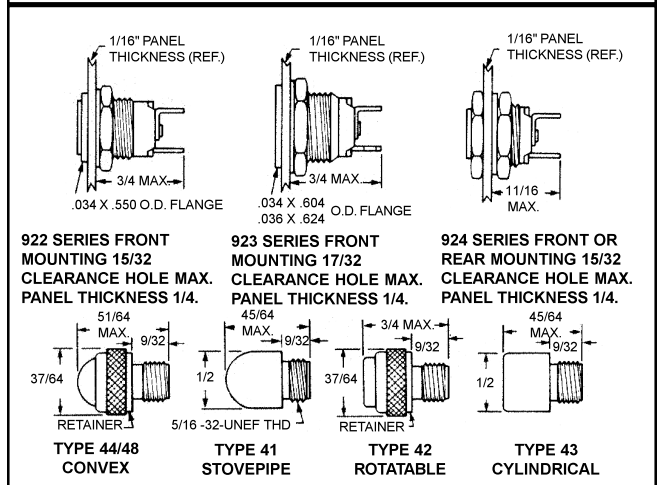
Lens: Heat resistant, high strength polycarbonate.

Lens Marking: Flat rotatable lenses may be stamped. Contact factory.

Lens Barrel: Brass. Nickel-plated.

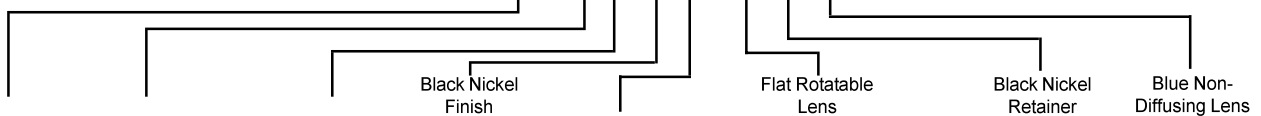
Lens Retainer: Brass. Black nickel finish. Bright nickel or chrome finish optional.

922, 923, 924 Series Max. Rating: 1.12 Watts, 28 Volts.



ORDERING INFORMATION:

EXAMPLE: 9 2 2 4 0 4 X 42 4 BN



Series Number	Lampholders				Lens Cap Assembly			
	Termination	Features	Finish	Resistor	Lens Style	Retainer	Lens Color	
922	4 Solder Lug Terminals	0 None	4 Black Nickel Standard	X None	41 Stovepipe	0 ² No Retainer	AN Amber	
923			5 Bright Nickel		42 ¹ Flat Rotatable		4 Black Nickel Finish (Standard)	CN Colorless
924			7 Chrome		43 Cylindrical			GN Green
					44 Convex - Nondiffusing Colors Only	5 Bright Nickel Finish	WN White	
					48 Convex - Diffusing Colors Only		7 Chrome Finish	YN Yellow
								Translucent
							AT Amber	
							BT Blue	
							GT Green	
							RT Red	
							WT White	
							YT Yellow	
							Diffusing	
							AD Amber	
							BD Blue	
							CD Colorless	
							GD Green	
							RD Red	
							YD Yellow	

¹ See back page of Littelite section for Lampholder/Resistor Selection.

² Use with type 3 finish on lampholder.

925, 926 & 927 Midget Flanged Incandescent & Neon Lampholders

Overview

The 925, 926 and 927 Series are relampable midget flanged base lampholders for drip proof applications. Use with T-1 3/4 incandescent or T-2 neon midget flanged base lamps. Lampholders are furnished with rubber gaskets and mate with skirted lenses, which have Neoprene O-rings installed.

Approval

UL Recognized.

Specification

Housing & Knurled Ring Nut: Aluminum. Black anodized finish standard (Ring Nut Part No. 903-075-010). Clear anodized finish optional (Ring Nut Part No. 903-075-011).

Internal Tooth Lockwasher & Hex Nut: Steel. Zinc-plated and clear chromate treated.

Terminals: Brass. Tin-plated with elongated slot (3/64" x 3/32"). Tapered to accept a quick-connect receptacle. Center contact marked +.

Socket: Brass. Nickel-plated.

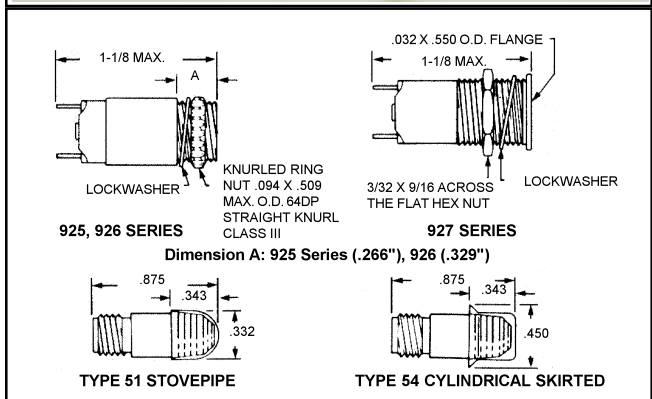
Lens: Heat resistant, high strength polycarbonate.

Lens Barrel: Brass. Nickel-plated.

Gasket: Silicone rubber.

"O" Ring: Neoprene.

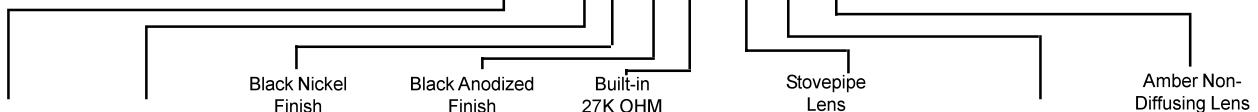
925, 926, 927 Series Max. Rating: 3 Watts, 125 Volts.



ORDERING INFORMATION:

Lampholders and lens caps may be ordered separately or as complete assemblies as shown in the example below:

EXAMPLE: 9 2 5 4 0 1 R 51 0 AN



Series Number	Lampholders				Lens Cap Assembly		
	Termination	Features	Finish	Resistor	Lens Style	Retainer	Lens Color
925 ¹	4 Solder Lug	0 None (standard)	1 Black Anodized (standard)	X None	FRESNEL (Use with nondiffusing lens colors only)	0 No Retainer	AN Amber BN ² Blue CN Colorless GN ² Green RN Red WN White (Cloudy) YN Yellow
926 ¹					51 Stovepipe		
927					52 Cylindrical Skirted Drip Proof		
		2 ² Drip Proof	2 Clear (Silver) Anodized	R 27K OHM for C9A (NE-2J) lamp	53 Cylindrical		
				D 62K OHM for C7A (NE-2D) lamp	54 Cylindrical Skirted		
					SMOOTH (Use with translucent lens colors only)		
					56 Stovepipe		Translucent ³
					57 Cylindrical Skirted Drip Proof		AT Amber BT Blue GT Green RT Red WT White YT Yellow
					58 Cylindrical		
					59 Cylindrical Skirted		

¹ A mounting wrench, #097013, is available for tightening the knurled ring nuts.
² Requires Lens Cap Style 52 or 57.
³ Not recommended for use with neon lamps.
⁴ No resistor required for incandescent lamps.