



Is Now Part of



**ON Semiconductor®**

To learn more about ON Semiconductor, please visit our website at  
[www.onsemi.com](http://www.onsemi.com)

Please note: As part of the Fairchild Semiconductor integration, some of the Fairchild orderable part numbers will need to change in order to meet ON Semiconductor's system requirements. Since the ON Semiconductor product management systems do not have the ability to manage part nomenclature that utilizes an underscore (\_), the underscore (\_) in the Fairchild part numbers will be changed to a dash (-). This document may contain device numbers with an underscore (\_). Please check the ON Semiconductor website to verify the updated device numbers. The most current and up-to-date ordering information can be found at [www.onsemi.com](http://www.onsemi.com). Please email any questions regarding the system integration to [Fairchild\\_questions@onsemi.com](mailto:Fairchild_questions@onsemi.com).

ON Semiconductor and the ON Semiconductor logo are trademarks of Semiconductor Components Industries, LLC dba ON Semiconductor or its subsidiaries in the United States and/or other countries. ON Semiconductor owns the rights to a number of patents, trademarks, copyrights, trade secrets, and other intellectual property. A listing of ON Semiconductor's product/patent coverage may be accessed at [www.onsemi.com/site/pdf/Patent-Marking.pdf](http://www.onsemi.com/site/pdf/Patent-Marking.pdf). ON Semiconductor reserves the right to make changes without further notice to any products herein. ON Semiconductor makes no warranty, representation or guarantee regarding the suitability of its products for any particular purpose, nor does ON Semiconductor assume any liability arising out of the application or use of any product or circuit, and specifically disclaims any and all liability, including without limitation special, consequential or incidental damages. Buyer is responsible for its products and applications using ON Semiconductor products, including compliance with all laws, regulations and safety requirements or standards, regardless of any support or applications information provided by ON Semiconductor. "Typical" parameters which may be provided in ON Semiconductor data sheets and/or specifications can and do vary in different applications and actual performance may vary over time. All operating parameters, including "Typicals" must be validated for each customer application by customer's technical experts. ON Semiconductor does not convey any license under its patent rights nor the rights of others. ON Semiconductor products are not designed, intended, or authorized for use as a critical component in life support systems or any FDA Class 3 medical devices or medical devices with a same or similar classification in a foreign jurisdiction or any devices intended for implantation in the human body. Should Buyer purchase or use ON Semiconductor products for any such unintended or unauthorized application, Buyer shall indemnify and hold ON Semiconductor and its officers, employees, subsidiaries, affiliates, and distributors harmless against all claims, costs, damages, and expenses, and reasonable attorney fees arising out of, directly or indirectly, any claim of personal injury or death associated with such unintended or unauthorized use, even if such claim alleges that ON Semiconductor was negligent regarding the design or manufacture of the part. ON Semiconductor is an Equal Opportunity/Affirmative Action Employer. This literature is subject to all applicable copyright laws and is not for resale in any manner.



April 2015

# H11AG1M

## 6-Pin DIP Phototransistor Optocoupler

### Features

- High-Efficiency Low-Degradation Liquid Epitaxial IRED
- Logic Level Compatible, Input and Output Currents, with CMOS and LS/TTL
- High DC Current Transfer Ratio at Low Input Currents (as low as 200  $\mu$ A)
- Safety and Regulatory Approvals:
  - UL1577, 4,170 VAC<sub>RMS</sub> for 1 Minute
  - DIN-EN/IEC60747-5-5, 850 V Peak Working Insulation Voltage

### Applications

- CMOS Driven Solid State Reliability
- Telephone Ring Detector
- Digital Logic Isolation

### Description

The H11AG1M device consists of a Gallium-Aluminum-Arsenide IRED emitting diode coupled with a silicon phototransistor in a dual in-line package. This device provides the unique feature of high current transfer ratio at both low output voltage and low input current. This makes it ideal for use in low-power logic circuits, telecommunications equipment and portable electronics isolation applications.

### Schematic

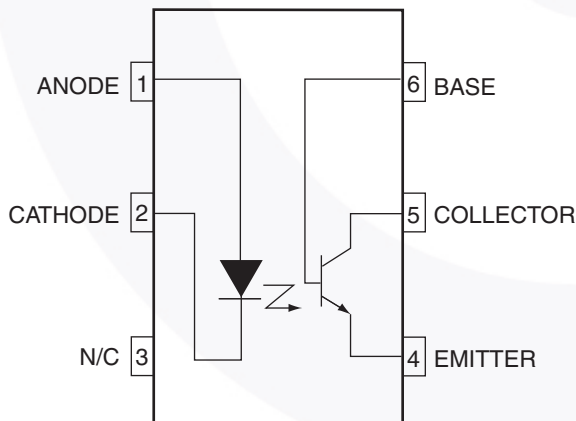


Figure 1. Schematic

### Package Outlines

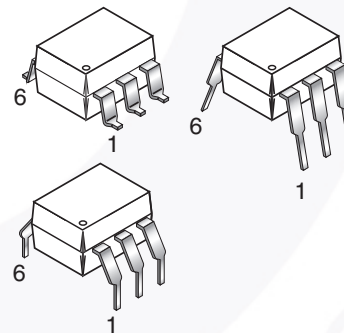


Figure 2. Package Outlines

## Safety and Insulation Ratings

As per DIN EN/IEC 60747-5-5, this optocoupler is suitable for “safe electrical insulation” only within the safety limit data. Compliance with the safety ratings shall be ensured by means of protective circuits.

| Parameter                                                                           |                        | Characteristics |
|-------------------------------------------------------------------------------------|------------------------|-----------------|
| Installation Classifications per DIN VDE 0110/1.89 Table 1, For Rated Mains Voltage | < 150 V <sub>RMS</sub> | I–IV            |
|                                                                                     | < 300 V <sub>RMS</sub> | I–IV            |
| Climatic Classification                                                             |                        | 55/100/21       |
| Pollution Degree (DIN VDE 0110/1.89)                                                |                        | 2               |
| Comparative Tracking Index                                                          |                        | 175             |

| Symbol                | Parameter                                                                                                                                                      | Value             | Unit              |
|-----------------------|----------------------------------------------------------------------------------------------------------------------------------------------------------------|-------------------|-------------------|
| V <sub>PR</sub>       | Input-to-Output Test Voltage, Method A, V <sub>IORM</sub> × 1.6 = V <sub>PR</sub> , Type and Sample Test with t <sub>m</sub> = 10 s, Partial Discharge < 5 pC  | 1360              | V <sub>peak</sub> |
|                       | Input-to-Output Test Voltage, Method B, V <sub>IORM</sub> × 1.875 = V <sub>PR</sub> , 100% Production Test with t <sub>m</sub> = 1 s, Partial Discharge < 5 pC | 1594              | V <sub>peak</sub> |
| V <sub>IORM</sub>     | Maximum Working Insulation Voltage                                                                                                                             | 850               | V <sub>peak</sub> |
| V <sub>IOTM</sub>     | Highest Allowable Over-Voltage                                                                                                                                 | 6000              | V <sub>peak</sub> |
|                       | External Creepage                                                                                                                                              | ≥ 7               | mm                |
|                       | External Clearance                                                                                                                                             | ≥ 7               | mm                |
|                       | External Clearance (for Option TV, 0.4" Lead Spacing)                                                                                                          | ≥ 10              | mm                |
| DTI                   | Distance Through Insulation (Insulation Thickness)                                                                                                             | ≥ 0.5             | mm                |
| T <sub>S</sub>        | Case Temperature <sup>(1)</sup>                                                                                                                                | 175               | °C                |
| I <sub>S,INPUT</sub>  | Input Current <sup>(1)</sup>                                                                                                                                   | 350               | mA                |
| P <sub>S,OUTPUT</sub> | Output Power <sup>(1)</sup>                                                                                                                                    | 800               | mW                |
| R <sub>IO</sub>       | Insulation Resistance at T <sub>S</sub> , V <sub>IO</sub> = 500 V <sup>(1)</sup>                                                                               | > 10 <sup>9</sup> | Ω                 |

### Note:

1. Safety limit values – maximum values allowed in the event of a failure.

## Absolute Maximum Ratings

Stresses exceeding the absolute maximum ratings may damage the device. The device may not function or be operable above the recommended operating conditions and stressing the parts to these levels is not recommended. In addition, extended exposure to stresses above the recommended operating conditions may affect device reliability. The absolute maximum ratings are stress ratings only.

| Symbol              | Parameters                                                | Value              | Unit  |
|---------------------|-----------------------------------------------------------|--------------------|-------|
| <b>TOTAL DEVICE</b> |                                                           |                    |       |
| $T_{STG}$           | Storage Temperature                                       | -40 to +125        | °C    |
| $T_{OPR}$           | Operating Temperature                                     | -40 to +100        | °C    |
| $T_J$               | Junction Temperature                                      | -40 to +125        | °C    |
| $T_{SOL}$           | Lead Solder Temperature                                   | 260 for 10 seconds | °C    |
| $P_D$               | Total Device Power Dissipation @ 25°C (LED plus detector) | 225                | mW    |
|                     | Derate Linearly From 25°C                                 | 3.5                | mW/°C |
| <b>EMITTER</b>      |                                                           |                    |       |
| $I_F$               | Continuous Forward Current                                | 50                 | mA    |
| $V_R$               | Reverse Voltage                                           | 6                  | V     |
| $I_F(pk)$           | Forward Current – Peak (1 $\mu$ s pulse, 300 pps)         | 3.0                | A     |
| $P_D$               | LED Power Dissipation @ 25°C                              | 75                 | mW    |
|                     | Derate Linearly From 25°C                                 | 1.0                | mW/°C |
| <b>DETECTOR</b>     |                                                           |                    |       |
| $I_C$               | Continuous Collector Current                              | 50                 | mA    |
| $P_D$               | Detector Power Dissipation @ 25°C                         | 150                | mW    |
|                     | Derate Linearly From 25°C                                 | 2.0                | mW/°C |

## Electrical Characteristics

$T_A = 25^\circ\text{C}$  unless otherwise specified.

### Individual Component Characteristics

| Symbol          | Parameters                              | Test Conditions                            | Min. | Typ. | Max. | Unit          |
|-----------------|-----------------------------------------|--------------------------------------------|------|------|------|---------------|
| <b>EMITTER</b>  |                                         |                                            |      |      |      |               |
| $V_F$           | Input Forward Voltage                   | $I_F = 1\text{ mA}$                        |      | 1.25 | 1.50 | V             |
| $I_R$           | Reverse Leakage Current                 | $V_R = 5\text{ V}, T_A = 25^\circ\text{C}$ |      |      | 10   | $\mu\text{A}$ |
| $C_J$           | Capacitance                             | $V = 0, f = 1.0\text{ MHz}$                |      |      | 100  | pF            |
| <b>DETECTOR</b> |                                         |                                            |      |      |      |               |
| $BV_{CEO}$      | Breakdown Voltage, Collector-to-Emitter | $I_C = 1.0\text{ mA}, I_F = 0$             | 30   |      |      | V             |
| $BV_{CBO}$      | Breakdown Voltage, Collector-to-Base    | $I_C = 100\text{ }\mu\text{A}, I_F = 0$    | 70   |      |      | V             |
| $BV_{ECO}$      | Breakdown Voltage, Emitter-to-Collector | $I_C = 100\text{ }\mu\text{A}, I_F = 0$    | 7    |      |      | V             |
| $I_{CEO}$       | Leakage Current, Collector-to-Emitter   | $V_{CE} = 10\text{ V}, I_F = 0$            |      | 5    | 10   | $\mu\text{A}$ |
| $C_{CE}$        | Capacitance                             | $V_{CE} = 10\text{ V}, f = 1\text{ MHz}$   |      | 10   |      | pF            |

### Transfer Characteristics

| Symbol                                                    | Characteristics        | Test Conditions                                                   | Min. | Typ. | Max. | Unit          |
|-----------------------------------------------------------|------------------------|-------------------------------------------------------------------|------|------|------|---------------|
| <b>DC CHARACTERISTICS</b>                                 |                        |                                                                   |      |      |      |               |
| CTR                                                       | Current Transfer Ratio | $I_F = 1\text{ mA}, V_{CE} = 5\text{ V}$                          | 300  |      |      | %             |
|                                                           |                        | $I_F = 1\text{ mA}, V_{CE} = 0.6\text{ V}$                        | 100  |      |      | %             |
|                                                           |                        | $I_F = 0.2\text{ mA}, V_{CE} = 1.5\text{ V}$                      | 100  |      |      | %             |
| $V_{CE(SAT)}$                                             | Saturation Voltage     | $I_F = 2.0\text{ mA}, I_C = 0.5\text{ mA}$                        |      |      | 0.40 | V             |
| <b>AC CHARACTERISTICS (Non-Saturated Switching Times)</b> |                        |                                                                   |      |      |      |               |
| $t_{on}$                                                  | Turn-On Time           | $R_L = 100\text{ }\Omega, I_F = 1\text{ mA}, V_{CC} = 5\text{ V}$ |      | 5    |      | $\mu\text{s}$ |
| $t_{off}$                                                 | Turn-Off Time          | $R_L = 100\text{ }\Omega, I_F = 1\text{ mA}, V_{CC} = 5\text{ V}$ |      | 5    |      | $\mu\text{s}$ |

### Isolation Characteristics

| Symbol    | Characteristic                 | Test Conditions                                        | Min.      | Typ. | Max. | Unit           |
|-----------|--------------------------------|--------------------------------------------------------|-----------|------|------|----------------|
| $V_{ISO}$ | Input-Output Isolation Voltage | $t = 1\text{ Minute}$                                  | 4170      |      |      | $V_{AC_{RMS}}$ |
| $C_{ISO}$ | Isolation Capacitance          | $V_{I-O} = 0\text{ V}, f = 1\text{ MHz}$               |           | 0.2  |      | pF             |
| $R_{ISO}$ | Isolation Resistance           | $V_{I-O} = \pm 500\text{ VDC}, T_A = 25^\circ\text{C}$ | $10^{11}$ |      |      | $\Omega$       |

Typical Performance Curves

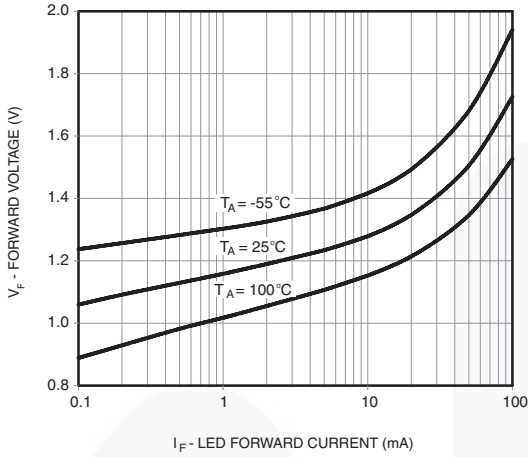


Figure 3. LED Forward Voltage vs. Forward Current

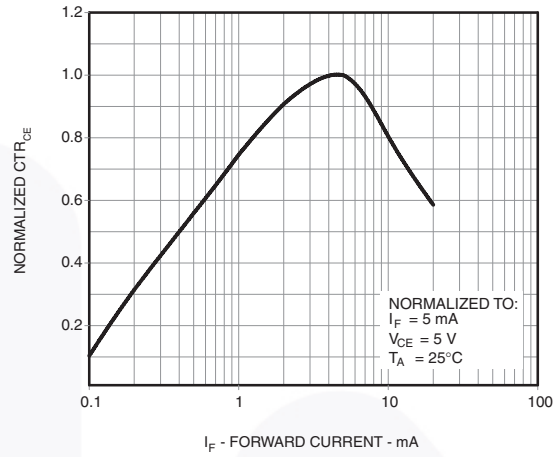


Figure 4. Normalized Current Transfer Ratio vs. Forward Current

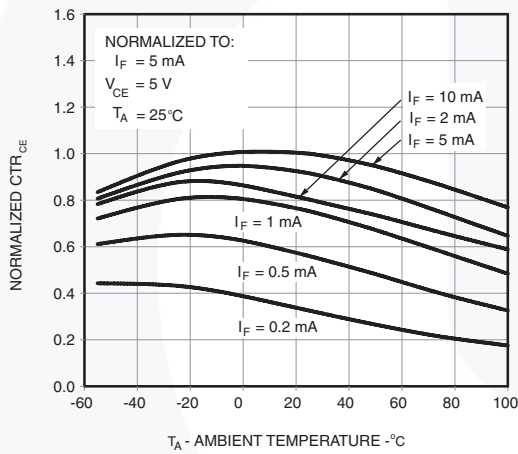


Figure 5. Normalized CTR vs. Temperature

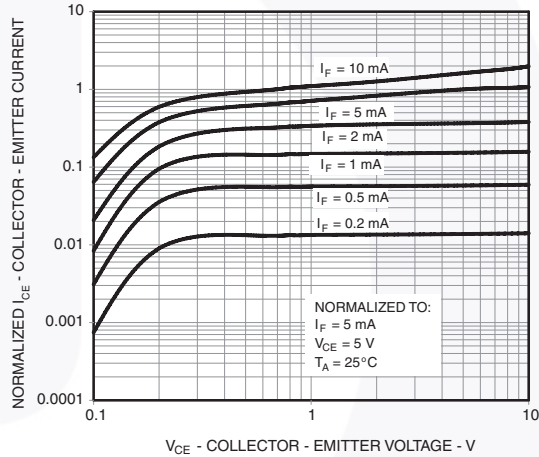


Figure 6. Normalized Collector vs. Collector-Emitter Voltage

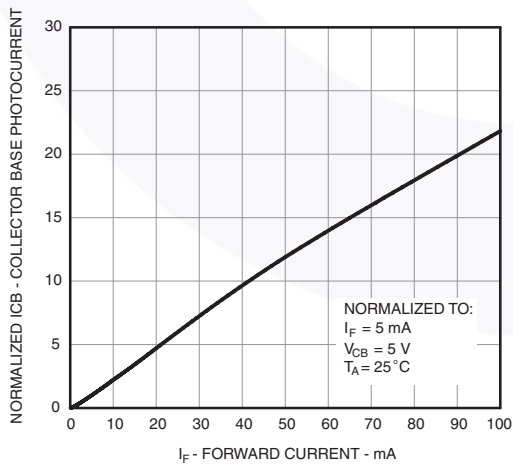


Figure 7. Normalized Collector-Base Photocurrent Ratio vs. Forward Current

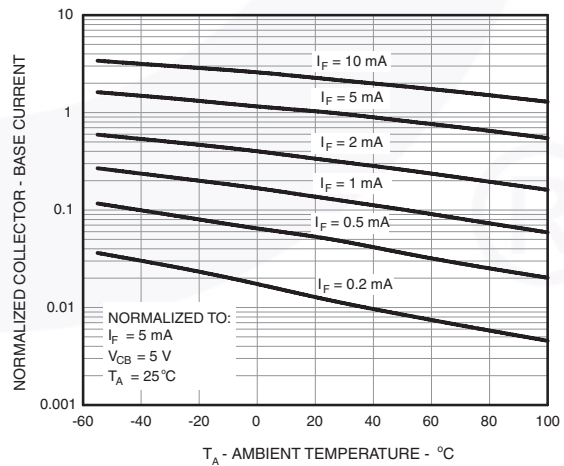


Figure 8. Normalized Collector-Base Current vs. Temperature

Typical Performance Curves (Continued)

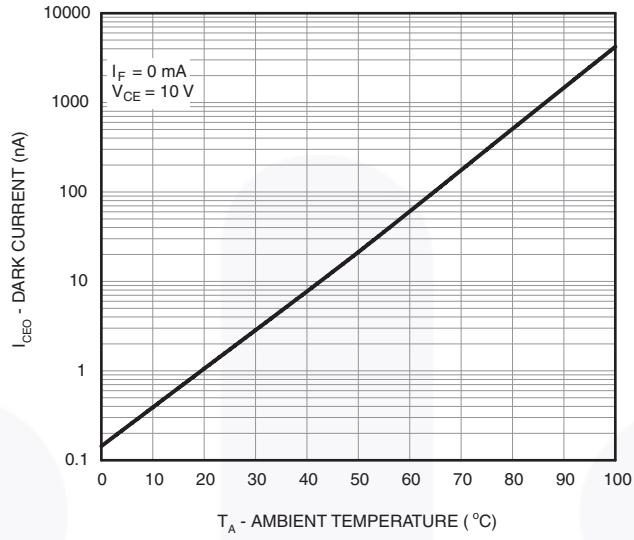
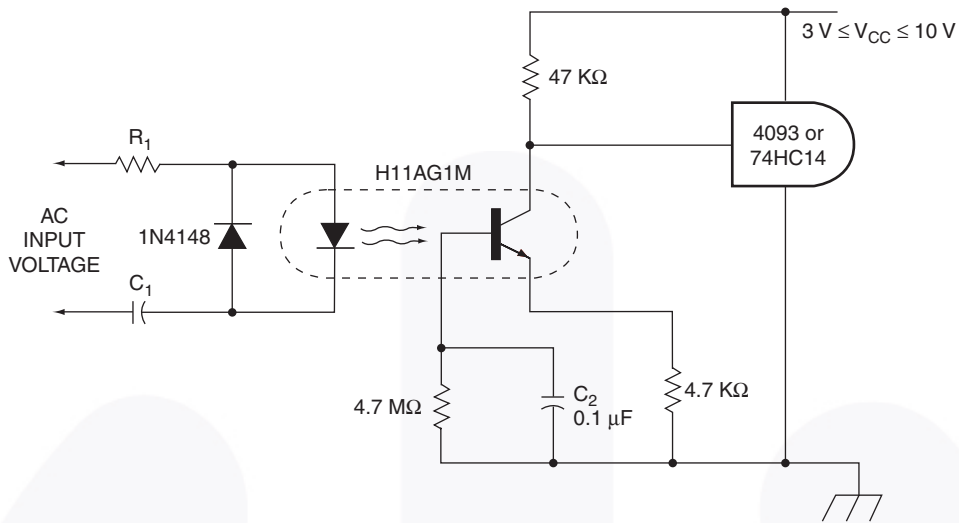


Figure 9. Collector-Emitter Dark Current vs. Ambient Temperature



Typical Application



| Input                                  | R1               | C1               | Z      |
|----------------------------------------|------------------|------------------|--------|
| 40-90 VAC <sub>RMS</sub><br>20 Hz      | 75 KΩ<br>1/10 W  | 0.1 μF<br>100 V  | 109 KΩ |
| 95-135 VAC <sub>RMS</sub><br>60 Hz     | 180 KΩ<br>1/10 W | 12 nF<br>200 V   | 285 KΩ |
| 200-280 VAC <sub>RMS</sub><br>50/60 Hz | 390 KΩ<br>1/4 W  | 6.80 nF<br>400 V | 550 KΩ |

DC component of input voltage is ignored due to C1

The H11AG1M uses less input power than the neon bulb traditionally used to monitor telephone and line voltages. Additionally, response time can be tailored to ignore telephone dial tap, switching transients and other undesired signals by modifying the value of C2. The high impedance to line voltage also can simply board layout spacing requirements.

Figure 10. Telephone Ring Detector / A.C. Line CMOS Input Isolator



Reflow Profile

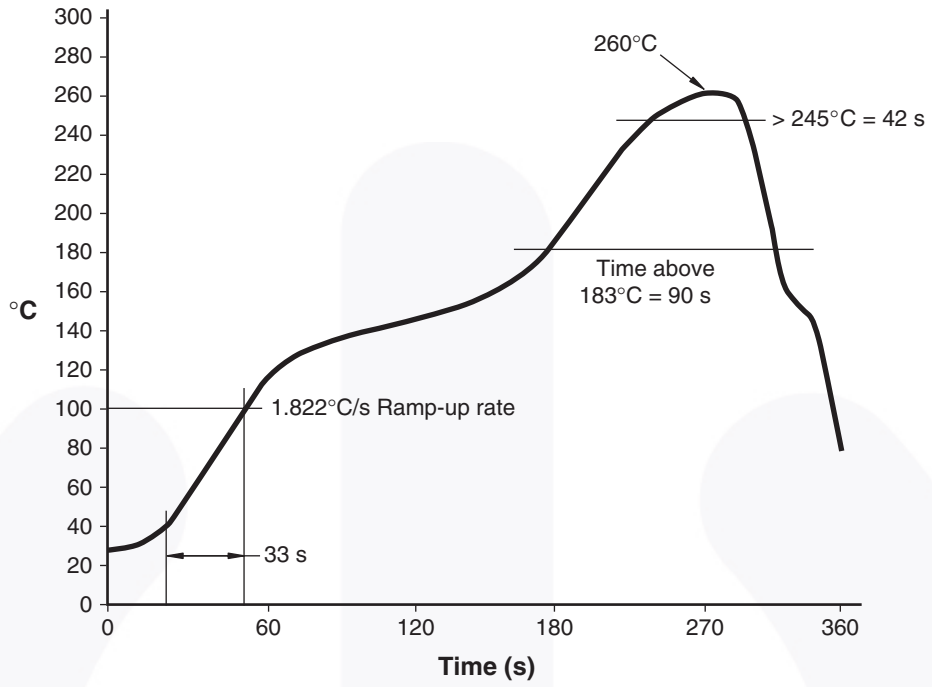


Figure 11. Reflow Profile

### Ordering Information

| Part Number | Package                                                  | Packing Method             |
|-------------|----------------------------------------------------------|----------------------------|
| H11AG1M     | DIP 6-Pin                                                | Tube (50 Units)            |
| H11AG1SM    | SMT 6-Pin (Lead Bend)                                    | Tube (50 Units)            |
| H11AG1SR2M  | SMT 6-Pin (Lead Bend)                                    | Tape and Reel (1000 Units) |
| H11AG1VM    | DIP 6-Pin, DIN EN/IEC60747-5-5 Option                    | Tube (50 Units)            |
| H11AG1SVM   | SMT 6-Pin (Lead Bend), DIN EN/IEC60747-5-5 Option        | Tube (50 Units)            |
| H11AG1SR2VM | SMT 6-Pin (Lead Bend), DIN EN/IEC60747-5-5 Option        | Tape and Reel (1000 Units) |
| H11AG1TVM   | DIP 6-Pin, 0.4" Lead Spacing, DIN EN/IEC60747-5-5 Option | Tube (50 Units)            |

### Marking Information

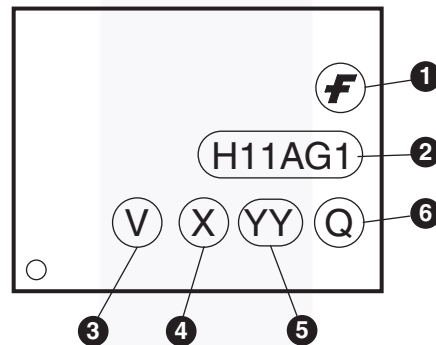


Figure 12. Top Mark

Table 1. Top Mark Definitions

|   |                                                                                 |
|---|---------------------------------------------------------------------------------|
| 1 | Fairchild Logo                                                                  |
| 2 | Device Number                                                                   |
| 3 | DIN EN/IEC60747-5-5 Option (only appears on component ordered with this option) |
| 4 | One-Digit Year Code, e.g., "5"                                                  |
| 5 | Digit Work Week, Ranging from "01" to "53"                                      |
| 6 | Assembly Package Code                                                           |



NOTES:

- A) NO STANDARD APPLIES TO THIS PACKAGE.
- B) ALL DIMENSIONS ARE IN MILLIMETERS.
- C) DIMENSIONS ARE EXCLUSIVE OF BURRS, MOLD FLASH, AND TIE BAR EXTRUSION
- D) DRAWING FILENAME AND REVISION: MKT-N06BREV4.





LAND PATTERN RECOMMENDATION



NOTES:

- A) NO STANDARD APPLIES TO THIS PACKAGE.
- B) ALL DIMENSIONS ARE IN MILLIMETERS.
- C) DIMENSIONS ARE EXCLUSIVE OF BURRS, MOLD FLASH, AND TIE BAR EXTRUSION
- D) DRAWING FILENAME AND REVISION : MKT-N06CREV4.





NOTES:

- A) NO STANDARD APPLIES TO THIS PACKAGE.
- B) ALL DIMENSIONS ARE IN MILLIMETERS.
- C) DIMENSIONS ARE EXCLUSIVE OF BURRS, MOLD FLASH, AND TIE BAR EXTRUSION
- D) DRAWING FILENAME AND REVISION: MKT-N06Drev4



ON Semiconductor and  are trademarks of Semiconductor Components Industries, LLC dba ON Semiconductor or its subsidiaries in the United States and/or other countries. ON Semiconductor owns the rights to a number of patents, trademarks, copyrights, trade secrets, and other intellectual property. A listing of ON Semiconductor's product/patent coverage may be accessed at [www.onsemi.com/site/pdf/Patent-Marking.pdf](http://www.onsemi.com/site/pdf/Patent-Marking.pdf). ON Semiconductor reserves the right to make changes without further notice to any products herein. ON Semiconductor makes no warranty, representation or guarantee regarding the suitability of its products for any particular purpose, nor does ON Semiconductor assume any liability arising out of the application or use of any product or circuit, and specifically disclaims any and all liability, including without limitation special, consequential or incidental damages. Buyer is responsible for its products and applications using ON Semiconductor products, including compliance with all laws, regulations and safety requirements or standards, regardless of any support or applications information provided by ON Semiconductor. "Typical" parameters which may be provided in ON Semiconductor data sheets and/or specifications can and do vary in different applications and actual performance may vary over time. All operating parameters, including "Typicals" must be validated for each customer application by customer's technical experts. ON Semiconductor does not convey any license under its patent rights nor the rights of others. ON Semiconductor products are not designed, intended, or authorized for use as a critical component in life support systems or any FDA Class 3 medical devices or medical devices with a same or similar classification in a foreign jurisdiction or any devices intended for implantation in the human body. Should Buyer purchase or use ON Semiconductor products for any such unintended or unauthorized application, Buyer shall indemnify and hold ON Semiconductor and its officers, employees, subsidiaries, affiliates, and distributors harmless against all claims, costs, damages, and expenses, and reasonable attorney fees arising out of, directly or indirectly, any claim of personal injury or death associated with such unintended or unauthorized use, even if such claim alleges that ON Semiconductor was negligent regarding the design or manufacture of the part. ON Semiconductor is an Equal Opportunity/Affirmative Action Employer. This literature is subject to all applicable copyright laws and is not for resale in any manner.

## PUBLICATION ORDERING INFORMATION

### LITERATURE FULFILLMENT:

Literature Distribution Center for ON Semiconductor  
19521 E. 32nd Pkwy, Aurora, Colorado 80011 USA  
**Phone:** 303-675-2175 or 800-344-3860 Toll Free USA/Canada  
**Fax:** 303-675-2176 or 800-344-3867 Toll Free USA/Canada  
**Email:** [orderlit@onsemi.com](mailto:orderlit@onsemi.com)

**N. American Technical Support:** 800-282-9855 Toll Free  
USA/Canada  
**Europe, Middle East and Africa Technical Support:**  
Phone: 421 33 790 2910  
**Japan Customer Focus Center**  
Phone: 81-3-5817-1050

**ON Semiconductor Website:** [www.onsemi.com](http://www.onsemi.com)  
**Order Literature:** <http://www.onsemi.com/orderlit>  
For additional information, please contact your local  
Sales Representative