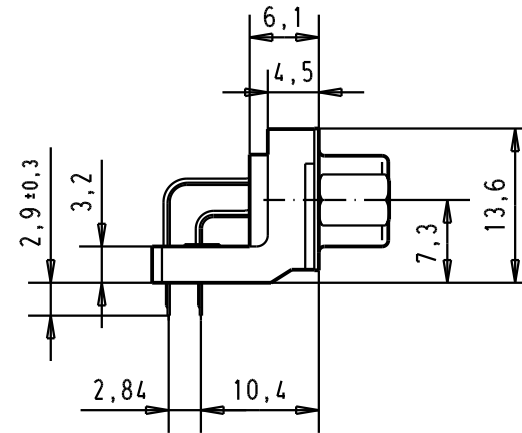
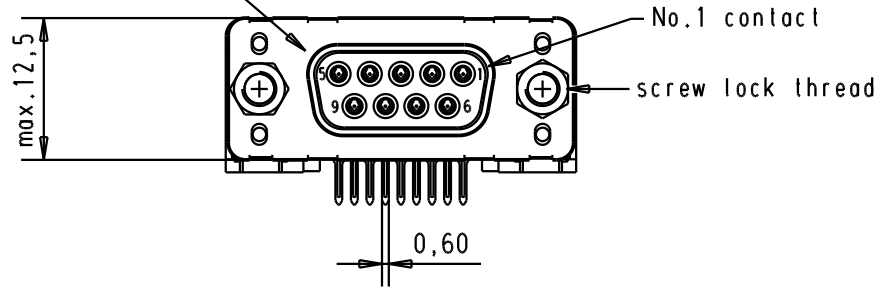
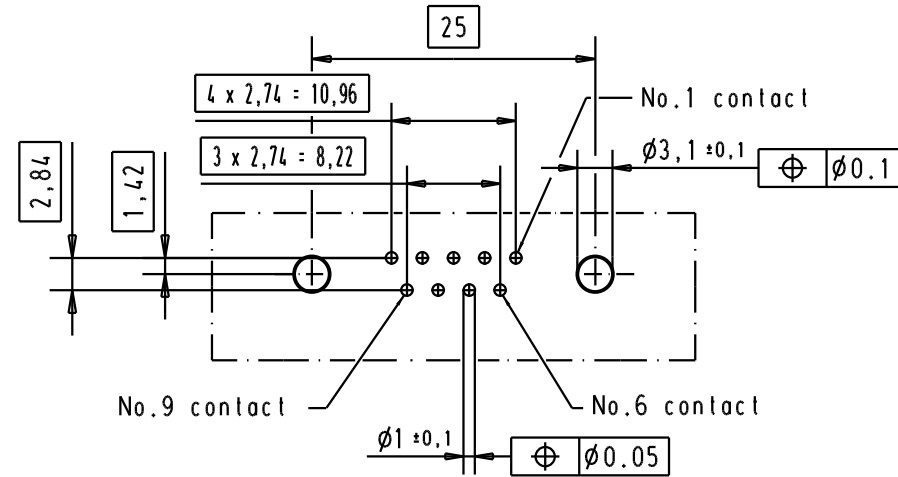
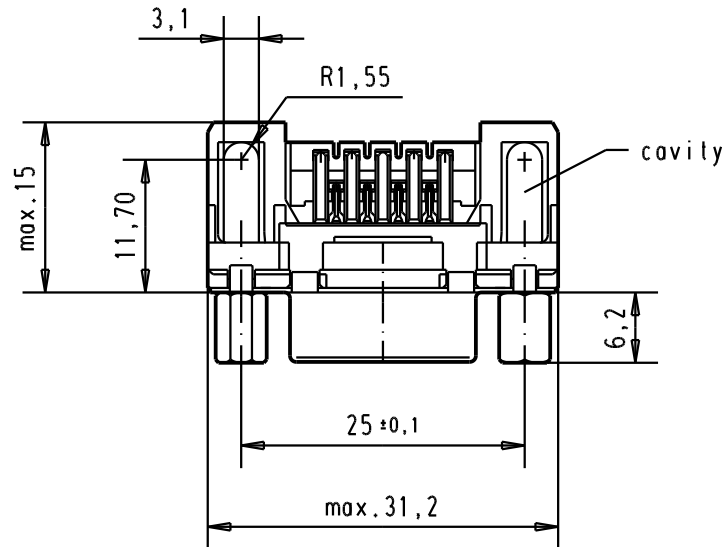



Mating face according to : MIL-C-24308 / DIN 41652 / CECC 75301-802



Printed board layout component side



						Dat.	Name	 All Dim. in mm Orig. Size DIN A 4	D-Sub 09 poles standard angle female, solder pin with screw lock and hole Maßstab/Scale 1.5:1
						Detail.	ALSPACE		
						Insp.			
09 66 113 3603	4-40 UNC	1	31892	05/05/04	JH	Stand.		TB 0966113x60x Sub.	Blatt/ Page 3
09 66 113 6603	4-40 UNC	2	29773	18-APR-02	CV	HARTING EURL F-95972 Paris			
09 66 113 7603	4-40 UNC	3	27960	30/nov/00	ALSPACE				
Part number	Screw lock thread	Performance level	Mod.	Dat.	Name				

