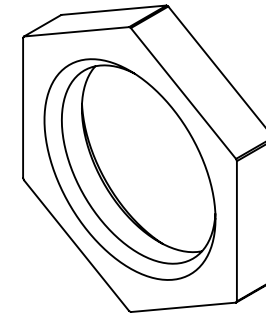
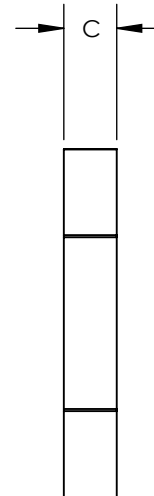
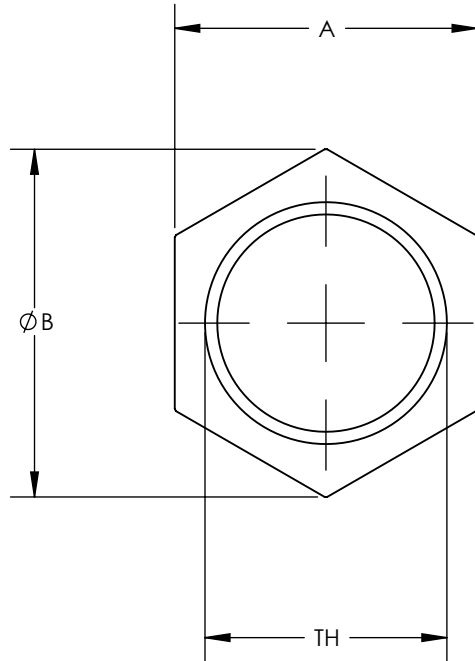


SW2014



Revision level			Revision Record	Changed	Date	Approved	Date
Drawing	State	Part					
00.0	Design Release		SEE ECN# 013585	GRW	10/13/2016	KAC	10/13/2016



Metric	HellermannTyton	Manufacturer	Dimensions		
			A	B	Thickness
mm			mm	mm	mm
M16 X 1.5	ALNPB-M16	B-M16	20	23	3.5
M20 X 1.5	ALNPB-M20	B-M20	24	28	3.5
M25 X 11.5	ALNPB-M25	B-M25	29	33	3.5
M32 X 1.5	ALNPB-M32	B-M32	38	43	4.5
M40 X 1.5	ALNPB-M40	B-M40	48	54	5.0
M50 X 1.5	ALNPB-M50	B-M50	58	66	6.0

Material
NICKEL PLATED BRASS

Units: **millimeters**
 Dimension without tolerances details to:
 .XXX = ±.013
 .XX = ±.13
 .X = ±.3
 None = ±.8
 < = ±0.5°
 Dimension Formatted mm/[in]

The copyright of this drawing is reserved by HellermannTyton. It is issued on condition that it is not reproduced, copied, or disclosed to a third party, either wholly or in part, without the consent of HellermannTyton.

Drawn GRW 10/13/2016
 Approved KAC 10/13/2016
HellermannTyton
 North America
 Email: corp@htamericas.com
 Web: www.hellermann.tyton.com

Article/Type-No ALNPB SERIES
 Title **HELAGUARD ALNPB NICKEL PLATED METRIC LOCKNUT**
 Drawing-No PRODUCTION : Phase
15-0408-001-CSU

Scale 2:1
 Project Number PRP 15-0408
 Format AH
 Sheet 1/1