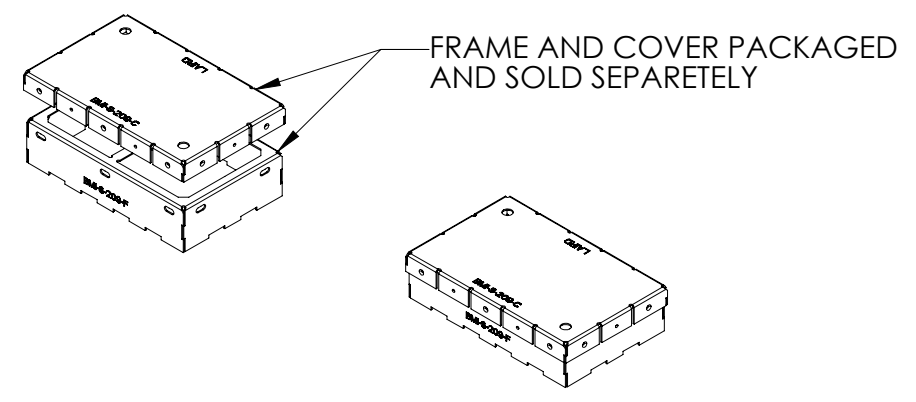
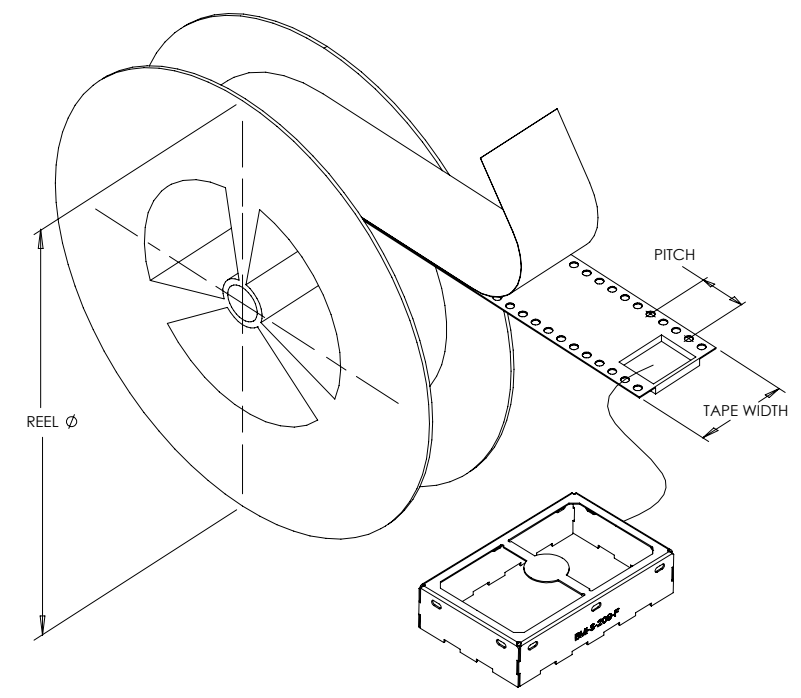
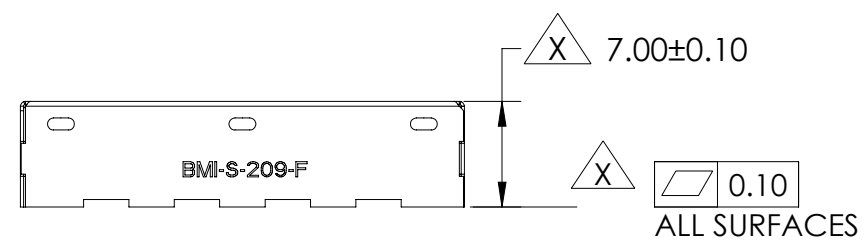
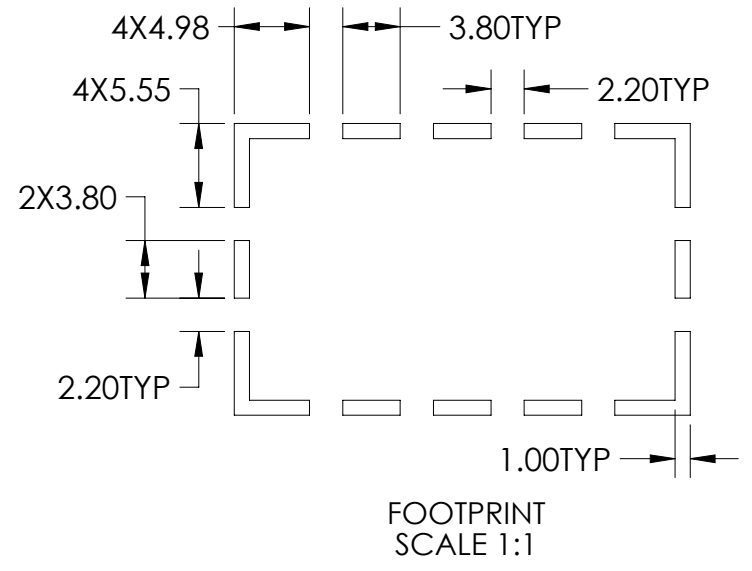
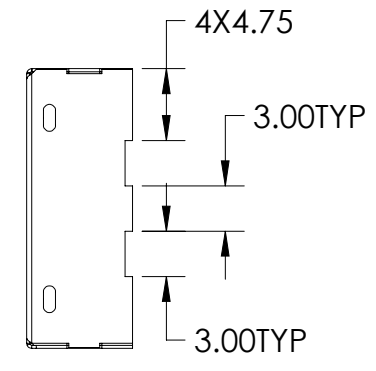
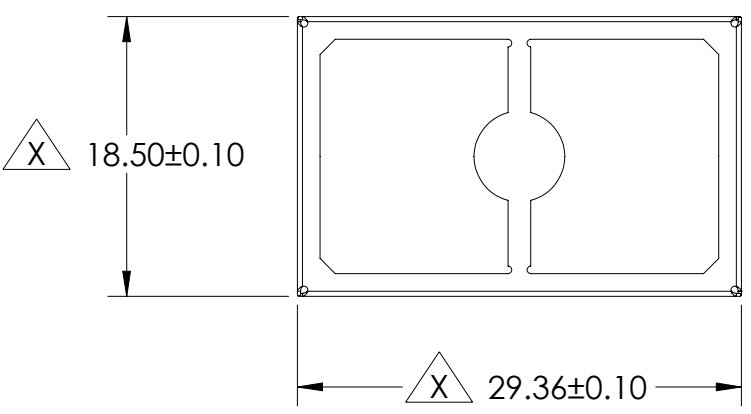
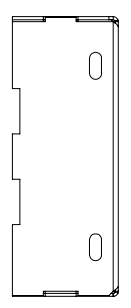
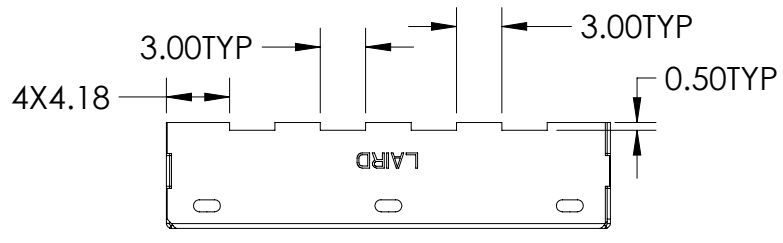
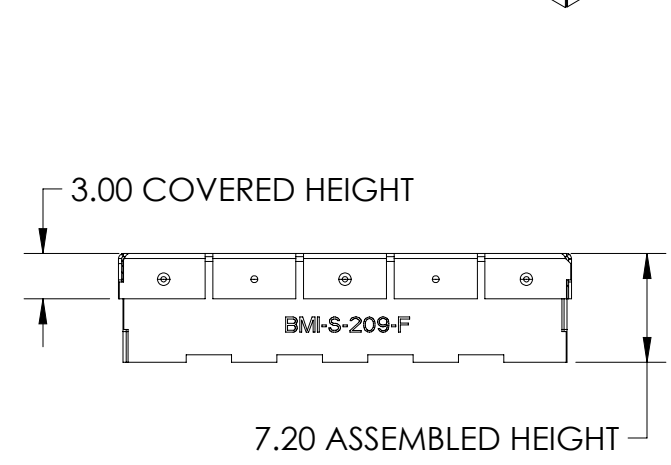


FUNCTION	PART NUMBER	MATERIAL/FINISH	PACKAGING			
FRAME	BMI-S-209-F	.20MM 1008/1010 PRE-PLATED COLD ROLLED STEEL 1/2 HARD 1.25-5.00 MICRONS 100% MATTE TIN	TAPE AND REEL			
			REEL DIAMETER	TAPE WIDTH	PITCH	QUANTITY
COVER	BMI-S-209-C	.20MM 1008/1010 PRE-PLATED COLD ROLLED STEEL 1/2 HARD 1.25-5.00 MICRONS 100% MATTE TIN	381MM	44MM	28MM	400
			BULK PACK			



- NOTES:
- OTHER MATERIAL OPTIONS MAY BE AVAILABLE, CONSULT SALES
  - OTHER PACKAGING OPTIONS MAY BE AVAILABLE, CONSULT SALES



PART MARKING ON SIDES IS NOT INTENDED TO BE RELEVANT TO PART ORIENTATION IN CARRIER TAPE.

CRITICAL DIMENSIONS ARE DESIGNATED BY X

<p>A DuPont Business</p>	PART DESCRIPTION: BOARD LEVEL SHIELD		LAIRD PART NUMBER: BMI-S-209-SALES	
	CUSTOMER: LAIRD CATALOG			
3RD ANGLE PROJECTION	PROGRAM NAME: STANDARDS	MODEL BY: AT	DATE: 07/14/20	REV: SALES
DESIGNED IN SOLIDWORKS	CUSTOMER PART NUMBER: N/A	APPROVED BY: BLAKE MORRIS	DATE: 08/30/2022	
SCALE: 2:1	SHEET 1 OF 1	INFORMATION CONTAINED IN THIS DOCUMENT IS CONFIDENTIAL AND PROPRIETARY TO LAIRD TECHNOLOGIES. IT MAY NOT BE DISCLOSED TO ANYONE WITHOUT WRITTEN AUTHORIZATION FROM LAIRD TECHNOLOGIES		