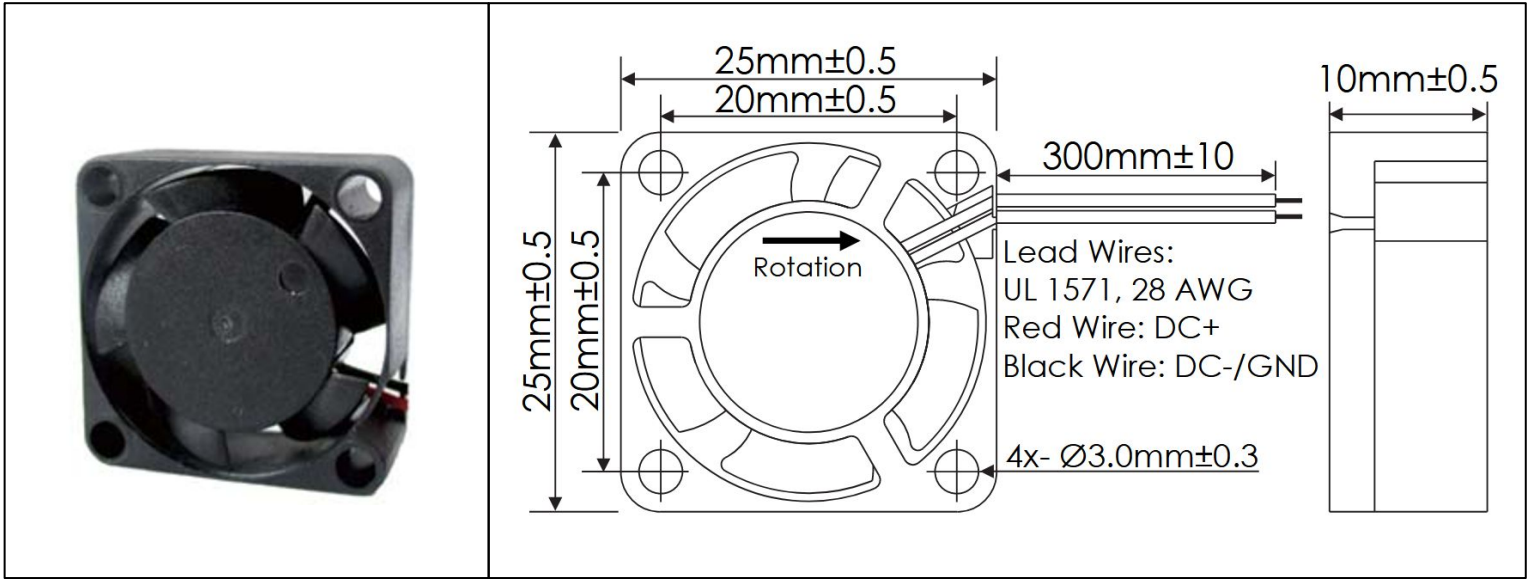


# OD2510 Series



DC Fans - 5, 12, 24V  
25mm x 10mm (1.38" x 0.39")



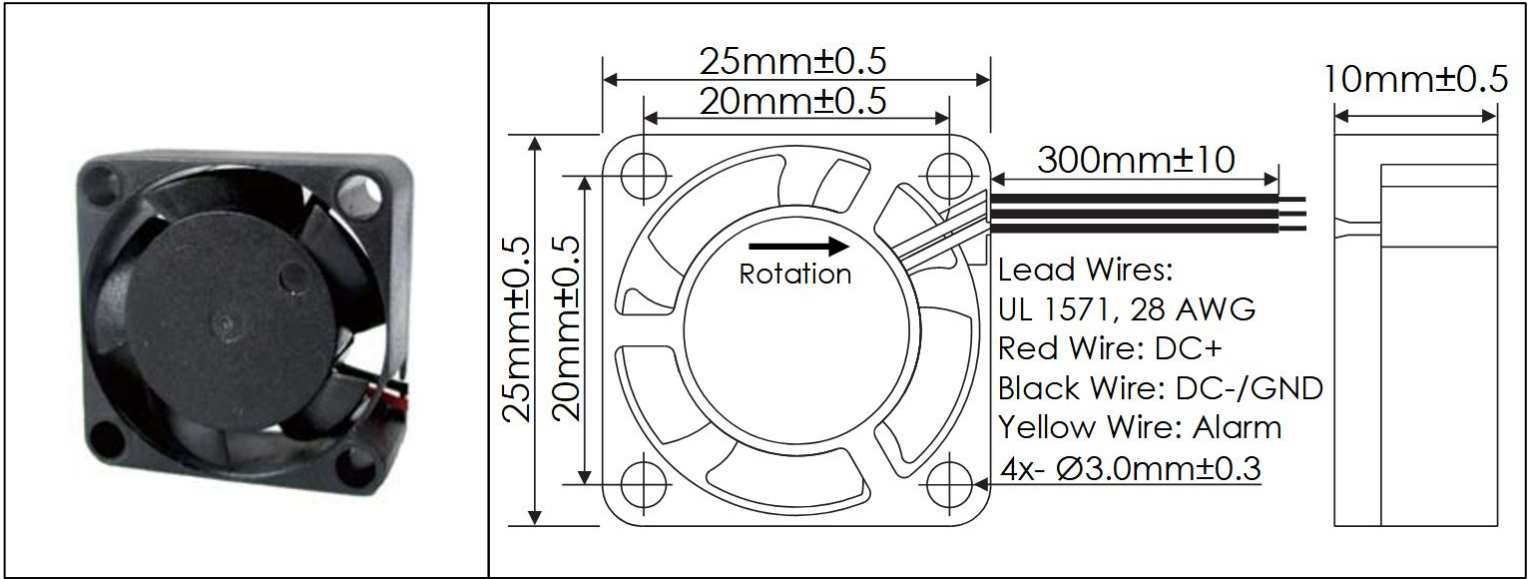
<b>Frame</b>	PBT, UL94 V-0 Plastic	<b>Operating Temperature</b> -20°C ~ +65°C  <b>Storage Temperature</b> -20°C ~ +75°C  <b>Life Expectancy</b> 70,000 Hours (L10 at 40°C)  <b>Available Options</b> Tachometer Output Alarm Output PWM Speed Control Input IP Ratings  Weight: 0.02 lbs	
<b>Impeller</b>	PBT, UL94 V-0 Plastic		
<b>Connection</b>	2x Wire Leads, 28 AWG		
<b>Motor</b>	Brushless DC, Auto Cutoff, Auto Restart, Electronically Protected, Polarity Protected		
<b>Bearing System</b>	Ball Bearings		
<b>Dielectric Strength</b>	500VDC/min, <1mA		
<b>Insulation Resistance</b>	≥10M Ohm @ 500 VDC		

Part Number	Rated Voltage (Volts DC)	Voltage Range (Volts DC)	Input Power (Watts)	Rated Current (Amps)(~Max)	Rated Speed (RPM)	Max Airflow (CFM)	Noise Level (dBA)	Max Static Pressure (\"H <sub>2</sub> O)
OD2510-05HB	5	4.5 ~ 5.5	0.80	0.07 (~0.16)	11500	2.7	29.2	0.27
OD2510-05MB	5	4.5 ~ 5.5	0.50	0.05 (~0.10)	9250	2.0	24.4	0.20
OD2510-05LB	5	4.5 ~ 5.5	0.20	0.02 (~0.04)	6300	1.3	18.1	0.16
OD2510-12HB	12	11 ~ 13.8	0.72	0.03 (~0.06)	11500	2.7	29.2	0.27
OD2510-12MB	12	11 ~ 13.8	0.60	0.03 (~0.05)	9250	2.0	24.4	0.20
OD2510-12LB	12	11 ~ 13.8	0.48	0.02 (~0.04)	6300	1.3	18.1	0.16
OD2510-24HB	24	22 ~ 26	1.60	0.03 (~0.065)	11500	2.7	29.2	0.27
OD2510-24MB	24	22 ~ 26	0.96	0.02 (~0.04)	9250	2.0	24.4	0.20
OD2510-24LB	24	22 ~ 26	0.72	0.02 (~0.03)	6300	1.3	18.1	0.16

# OD2510-12HB02A

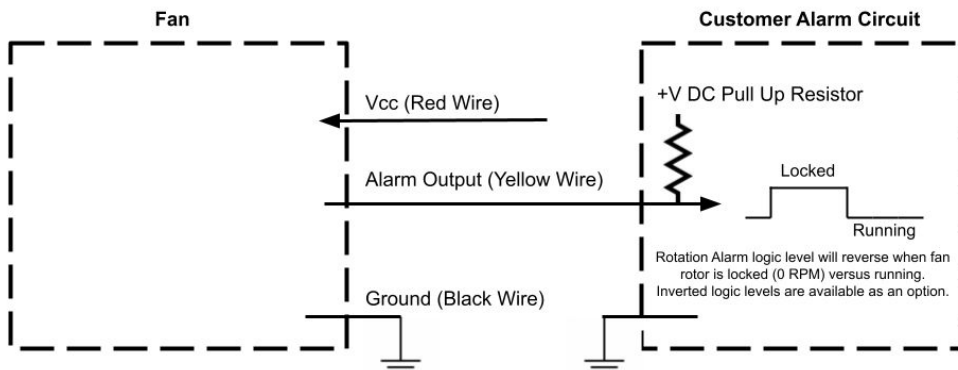


DC Fan with Alarm - 12V  
25mm x 10mm (1.38" x 0.39")



<b>Frame</b>	PBT, UL94 V-0 Plastic	<b>Operating Temperature</b> -20°C ~ +65°C	
<b>Impeller</b>	PBT, UL94 V-0 Plastic		
<b>Connection</b>	3x Wire Leads, 28 AWG	<b>Life Expectancy</b> 70,000 Hours (L10 at 40°C)	
<b>Motor</b>	Brushless DC, Auto Cutoff, Auto Restart, Electronically Protected, Polarity Protected	<b>Installed Options</b> Open Collector Alarm	
<b>Bearing System</b>	Ball Bearings	<b>Weight:</b> 0.02 lbs	
<b>Dielectric Strength</b>	500VDC/min, <1mA		
<b>Insulation Resistance</b>	≥10M Ohm @ 500 VDC		

Part Number	Rated Voltage (Volts DC)	Voltage Range (Volts DC)	Input Power (Watts)	Rated Current (Amps)(~Max)	Rated Speed (RPM)	Max Airflow (CFM)	Noise Level (dBA)	Max Static Pressure (\"H <sub>2</sub> O)
OD2510-12HB02A	12	11 ~ 13.8	0.72	0.03 (~0.06)	11500	2.7	29.2	0.27

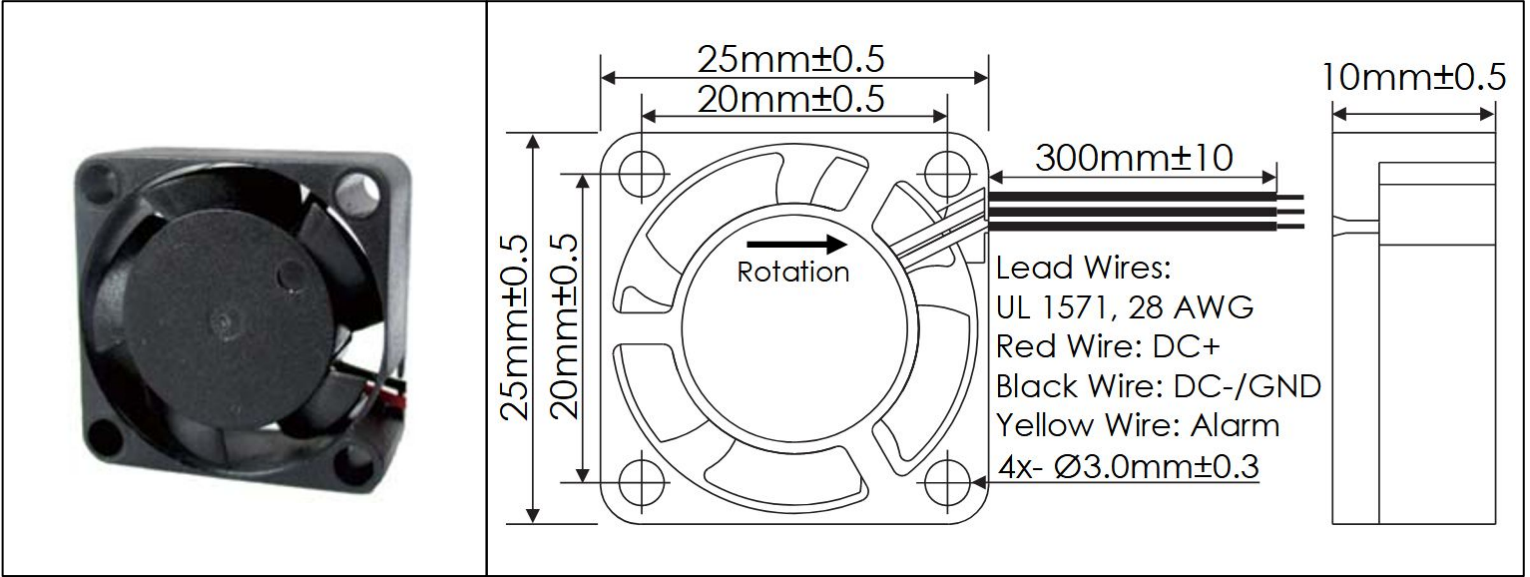


Alarm Max Pullup Voltage: 12V  
 Alarm Max Sink Current: 5mA  
 Alarm ACTIVE (0 RPM) State: HIGH

# OD2510-12MB02A

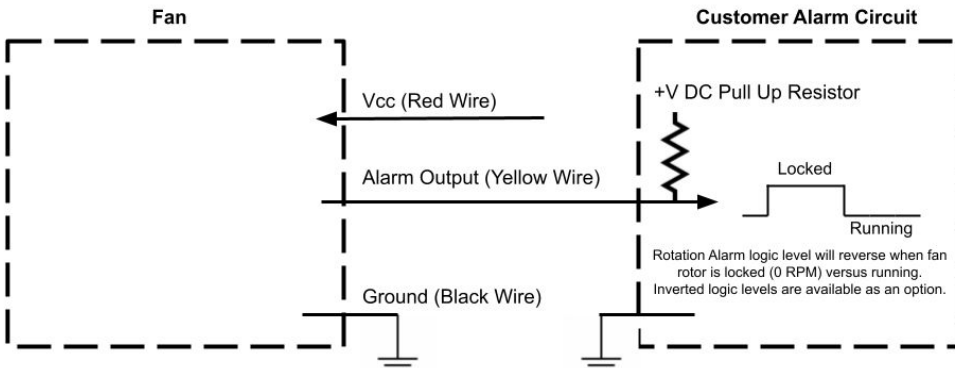


DC Fan with Alarm - 12V  
25mm x 10mm (1.38" x 0.39")



<b>Frame</b>	PBT, UL94 V-0 Plastic	<b>Operating Temperature</b> -20°C ~ +65°C	
<b>Impeller</b>	PBT, UL94 V-0 Plastic		
<b>Connection</b>	3x Wire Leads, 28 AWG	<b>Life Expectancy</b> 70,000 Hours (L10 at 40°C)	
<b>Motor</b>	Brushless DC, Auto Cutoff, Auto Restart, Electronically Protected, Polarity Protected	<b>Installed Options</b> Open Collector Alarm	
<b>Bearing System</b>	Ball Bearings	<b>Weight:</b> 0.02 lbs	
<b>Dielectric Strength</b>	500VDC/min, <1mA		
<b>Insulation Resistance</b>	≥10M Ohm @ 500 VDC		

Part Number	Rated Voltage (Volts DC)	Voltage Range (Volts DC)	Input Power (Watts)	Rated Current (Amps)(~Max)	Rated Speed (RPM)	Max Airflow (CFM)	Noise Level (dBA)	Max Static Pressure (\"H <sub>2</sub> O)
OD2510-12MB02A	12	11 ~ 13.8	0.60	0.03 (~0.05)	9250	2.0	24.4	0.20

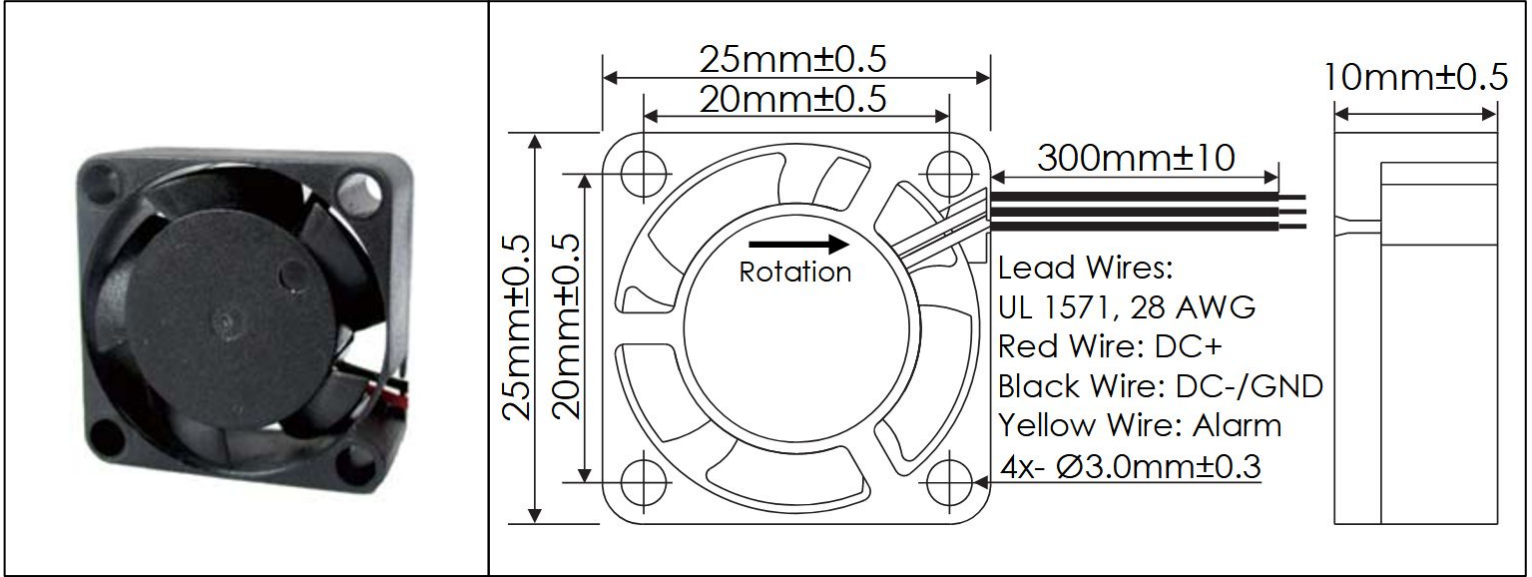


Alarm Max Pullup Voltage: 12V  
 Alarm Max Sink Current: 5mA  
 Alarm ACTIVE (0 RPM) State: HIGH

# OD2510-24HB02A

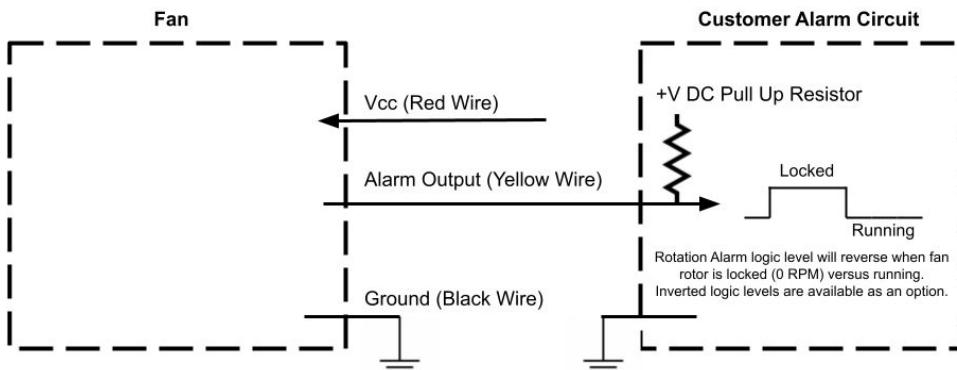


DC Fan with Alarm - 24V  
25mm x 10mm (1.38" x 0.39")



<b>Frame</b>	PBT, UL94 V-0 Plastic	<b>Operating Temperature</b> -20°C ~ +65°C	
<b>Impeller</b>	PBT, UL94 V-0 Plastic		
<b>Connection</b>	3x Wire Leads, 28 AWG	<b>Life Expectancy</b> 70,000 Hours (L10 at 40°C)	
<b>Motor</b>	Brushless DC, Auto Cutoff, Auto Restart, Electronically Protected, Polarity Protected	<b>Installed Options</b> Open Collector Alarm	
<b>Bearing System</b>	Ball Bearings	<b>Weight:</b> 0.02 lbs	
<b>Dielectric Strength</b>	500VDC/min, <1mA		
<b>Insulation Resistance</b>	≥10M Ohm @ 500 VDC		

Part Number	Rated Voltage (Volts DC)	Voltage Range (Volts DC)	Input Power (Watts)	Rated Current (Amps)(~Max)	Rated Speed (RPM)	Max Airflow (CFM)	Noise Level (dBA)	Max Static Pressure (\"H <sub>2</sub> O)
OD2510-24HB02A	24	22 ~ 26	1.60	0.03 (~0.065)	11500	2.7	29.2	0.27



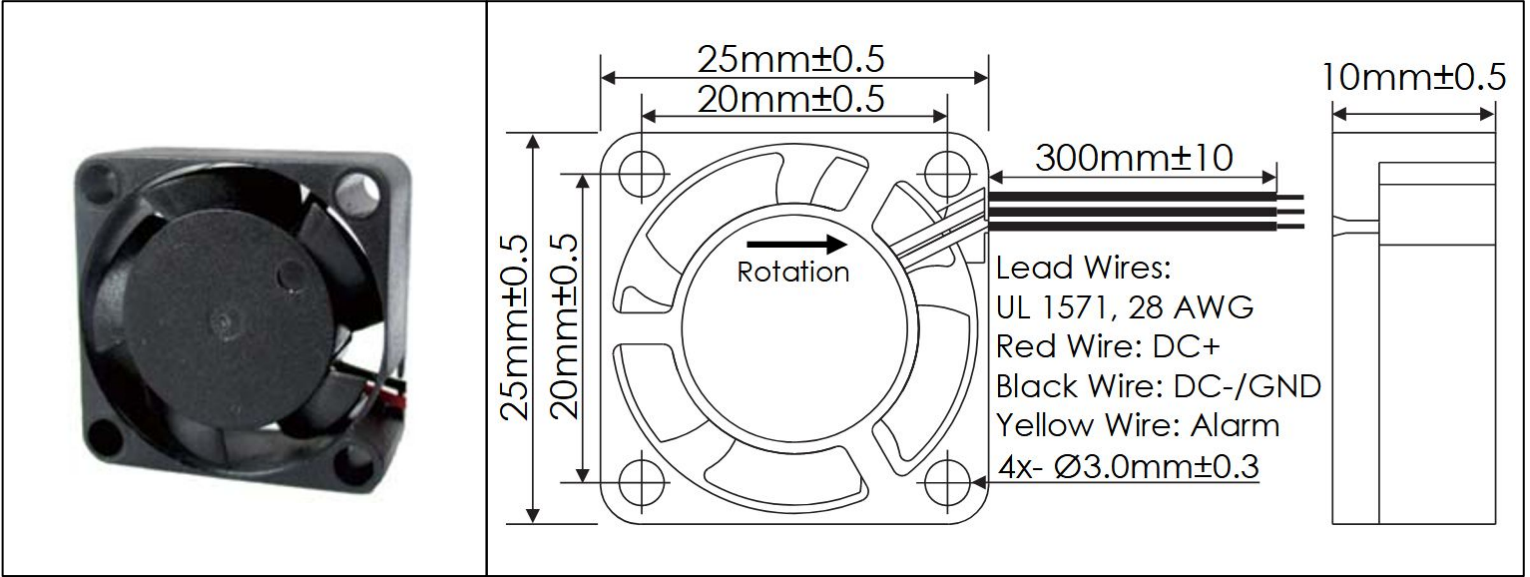
Alarm Max Pullup Voltage: 24V  
 Alarm Max Sink Current: 5mA  
 Alarm ACTIVE (0 RPM) State: HIGH



# OD2510-24MB02A

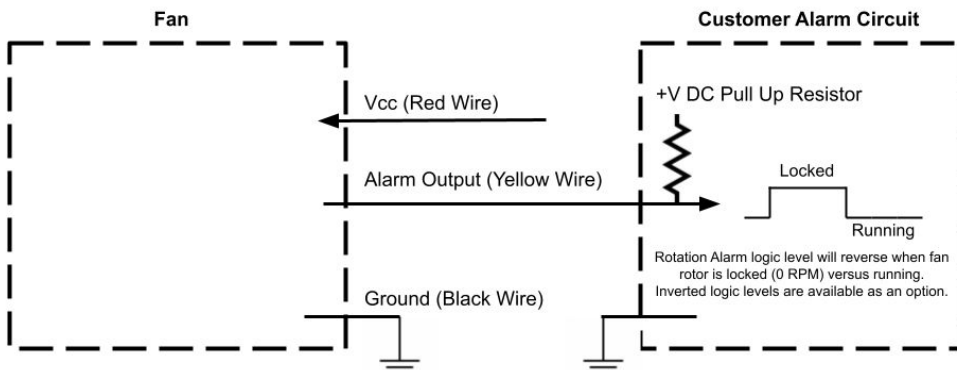


DC Fan with Alarm - 24V  
25mm x 10mm (1.38" x 0.39")



<b>Frame</b>	PBT, UL94 V-0 Plastic	<b>Operating Temperature</b> -20°C ~ +65°C	
<b>Impeller</b>	PBT, UL94 V-0 Plastic		
<b>Connection</b>	3x Wire Leads, 28 AWG	<b>Life Expectancy</b> 70,000 Hours (L10 at 40°C)	
<b>Motor</b>	Brushless DC, Auto Cutoff, Auto Restart, Electronically Protected, Polarity Protected	<b>Installed Options</b> Open Collector Alarm	
<b>Bearing System</b>	Ball Bearings	<b>Weight:</b> 0.02 lbs	
<b>Dielectric Strength</b>	500VDC/min, <1mA		
<b>Insulation Resistance</b>	≥10M Ohm @ 500 VDC		

Part Number	Rated Voltage (Volts DC)	Voltage Range (Volts DC)	Input Power (Watts)	Rated Current (Amps)(~Max)	Rated Speed (RPM)	Max Airflow (CFM)	Noise Level (dBA)	Max Static Pressure (\"H <sub>2</sub> O)
OD2510-24MB02A	24	22 ~ 26	0.96	0.02 (~0.04)	9250	2.0	24.4	0.20



Alarm Max Pullup Voltage: 24V  
Alarm Max Sink Current: 5mA  
Alarm ACTIVE (0 RPM) State: HIGH