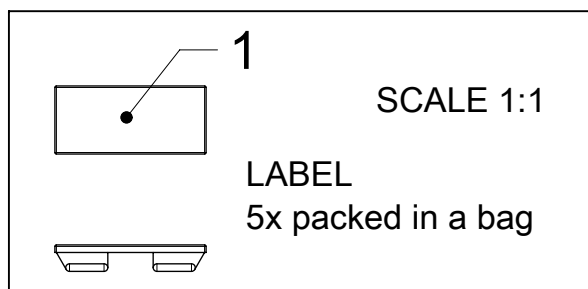


TABLE 1

MOLEX P/N	ENG. NO.	CABLE LENGTH (mm)	LED
1202510046	BKB4050-FBW-05	5000	NO
1202510047	BKB4050-FBW-10	10000	NO
1202510048	BKB4050-FBW-15	15000	NO
1202510049	BKB405P-FBW-05	5000	YES
1202510050	BKB405P-FBW-10	10000	YES
1202510051	BKB405P-FBW-15	15000	YES
1202510052	BKB405N-FBW-05	5000	YES
1202510053	BKB405N-FBW-10	10000	YES
1202510054	BKB405N-FBW-15	15000	YES

TABLE 2 BILL OF MATERIAL

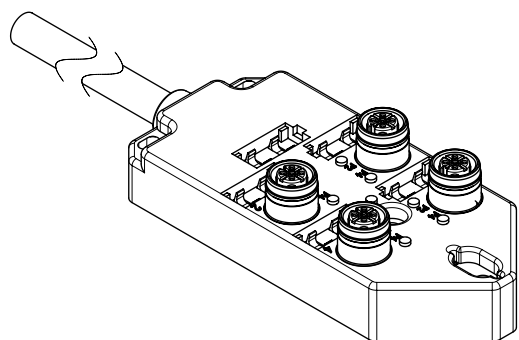
ITEM	DESCRIPTION	MATERIAL	FINISH
1	LABEL	ABS	WHITE
2	CABLE PLATE	PBT	BLACK
3	CABLE	TPU BASED	BLACK
4	CONTACT	BRONZE	GOLD OVER NICKEL
5	O-RING	FPM	RED
6	LED	NO LED = PA WITH LED = PA	BLACK TRANSPARENT
7	SHELL	BRASS	NICKEL PLATED
8	HOUSING	PBT	BLACK



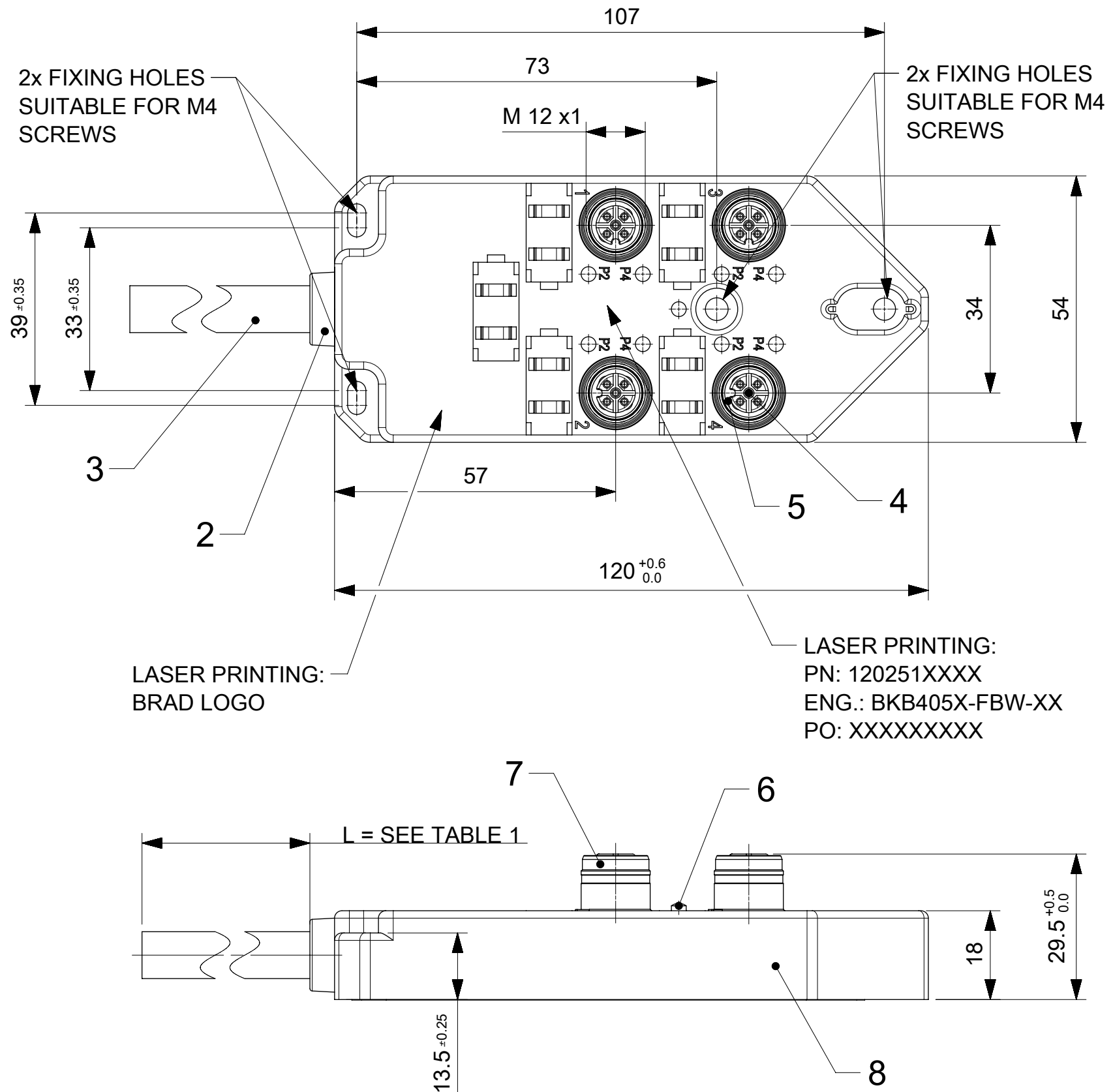
GENERAL CHARACTERISTICS:

ELECTRICAL AND MECHANICAL DATA ACC. TO IEC 61076-2-101

NOMINAL VOLTAGE: 10-30 V DC
 AMPERE RATING: 4 A PER PORT / 12 A MAX
 AMPERE RATING WITH UL REGISTRATION: 3 A PER PORT / 9 A MAX
 IP DEGREE OF PROTECTION: IP 67
 TEMPERATURE RANGE: -25°C to + 85°C



SCALE 1:2



SYMBOLS	THIS DRAWING CONTAINS INFORMATION THAT IS PROPRIETARY TO MOLEX ELECTRONIC TECHNOLOGIES, LLC AND SHOULD NOT BE USED WITHOUT WRITTEN PERMISSION		CURRENT REV DESC: INITIAL RELEASE		molex
	DIMENSION UNITS	SCALE			
▽ = 0	mm	1:1			MPIS U12 NON 5P 4PT BK 5M DUAL
▽ = 0	GENERAL TOLERANCES (UNLESS SPECIFIED)				
▽ = 0	ANGULAR TOL ± 1.0°				PRODUCT CUSTOMER DRAWING
▽ = 0	4 PLACES	±	EC NO: 631635		
▽ = 0	3 PLACES	±	DRWN: MDHARMANTI 2020/01/27		
▽ = 0	2 PLACES	± 0.05	CHK'D: RSILLER 2020/02/05		
▽ = 0	1 PLACE	± 0.3	APPR: RSILLER 2020/02/05		
▽ = 0	0 PLACES	± 0.5	INITIAL REVISION:		
□ = 0	DRAFT WHERE APPLICABLE MUST REMAIN WITHIN DIMENSIONS		DRWN: SSM 2018/11/30		DOCUMENT NUMBER
▽ = 0	THIRD ANGLE PROJECTION		APPR: RSILLER 2020/01/17		1202510046
			DRAWING	SERIES	DOC TYPE
			A3-SIZE	120251	PSD
			MATERIAL NUMBER	CUSTOMER	DOC PART
			SEE TABLE 1	GENERAL MARKET	000
			SHEET NUMBER		REVISION
			1 OF 2		A1

