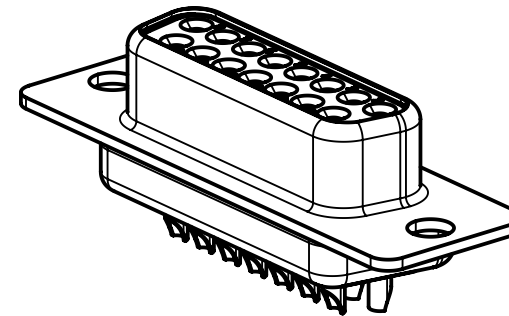
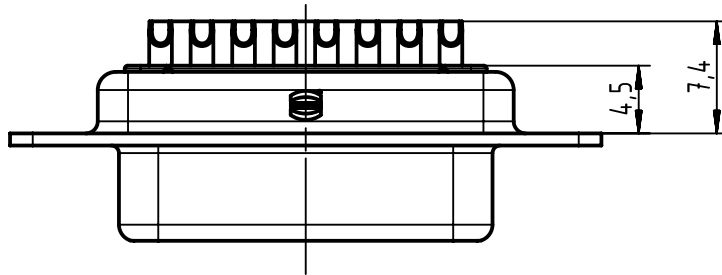
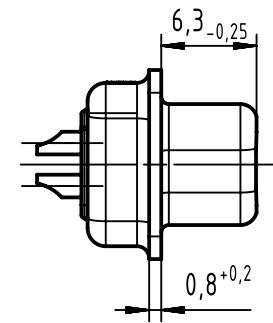
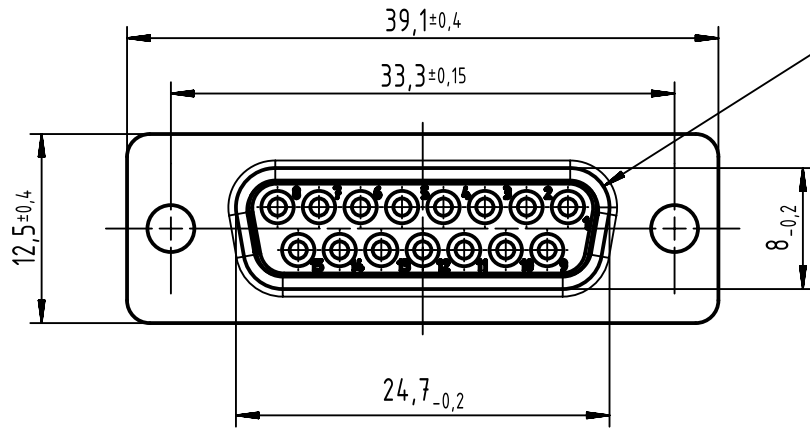


Mating face according to MIL-C-24308 / DIN 41652 / CECC 75301-802



All Dimensions in mm  
Original Size DIN A4

Scale  
2:1

Free size tol.

Ref.

Sub.

0967 015 4704

PL3



All rights reserved

Created by  
ZHUANGJ

Inspected by  
LUOK

Standardisation  
HOFFMANN

Date  
2018-05-02

State  
Final Release

096 7015 4715 211

PL2

0967 015 4715 050

S4

0967 015 4715

PL2

Part number

Performance level

HARTING Electronics GmbH  
D-32339 Espelkamp

Title  
D-Sub female 15-pole straight solder buckets

Doc-Key / ECM-Nr.  
100774108/UGD/000/A  
500000132564

Type  
TB

Number  
096701547XX

Rev.  
A

Page  
1/1