

SAMXD Series Dust Protected Seat Adjustment Switches

New

Features/Benefits

- Multi-directional 2 & 4 ways
- Power handling for motor direct drive
- IP5x
- THT terminations

Typical Applications

- Seat adjustment module for passenger cars & commercial vehicles
- Industrial joystick



| P/N | Description | | Actuator Position | Actuator Shape | Spring Pin | Cycles | Operating Force (N) | Travel (mm) |
|---------------|---------------------|-------|-------------------|----------------|------------|--------|---------------------|-------------|
| SAMXDH2LR14SP | SAM XD 2W LR Switch | 2 way | Left | Round | Yes | 30,000 | 5.3 ± 1.5 | 1.3 ± 0.4 |
| SAMXDH2LR10SP | SAM XD 2W LR Switch | 2 way | Left | Round | Yes | 30,000 | 6.0 ± 1.75 | 1.0 ± 0.4 |
| SAMXDH2LR10 | SAM XD 2W LR Switch | 2 way | Left | Round | No | 30,000 | 6.0 ± 1.75 | 1.0 ± 0.4 |
| SAMXDH2LS11 | SAM XD 2W LS Switch | 2 way | Left | Square | No | 30,000 | 6.0 ± 1.75 | 1.0 ± 0.4 |
| SAMXDH2MR14SP | SAM XD 2W MR Switch | 2 way | Middle | Round | Yes | 30,000 | 5.3 ± 1.5 | 1.3 ± 0.4 |
| SAMXDH2MR10SP | SAM XD 2W MR Switch | 2 way | Middle | Round | Yes | 30,000 | 6.0 ± 1.75 | 1.0 ± 0.4 |
| SAMXDH4MR11SP | SAM XD 4W MR Switch | 4 way | Middle | Round | Yes | 30,000 | 6.0 ± 1.75 | 1.2 ± 0.4 |
| SAMXDH4MS11 | SAM XD 4W MR Switch | 4 way | Middle | Square | No | 30,000 | 6.0 ± 1.75 | 1.2 ± 0.4 |

Specifications

FUNCTION: Momentary action
 CONTACT ARRANGEMENT: SPDT per switching circuit
 SWITCHING MODE: Non-Shorting
 TERMINALS: THT - Through Hole Terminals

Electrical

RATING: 15A @ 14V DC
 INITIAL CONTACT RESISTANCE: <50mΩ per switching circuit
 JUMP START: 26VDC for 1 minute
 OVER VOLTAGE: 18VDC for 60 minute at 65°C
 OVER CURRENT: 30A at 14V for 10 minute
 BOUNCE TIME: <10ms

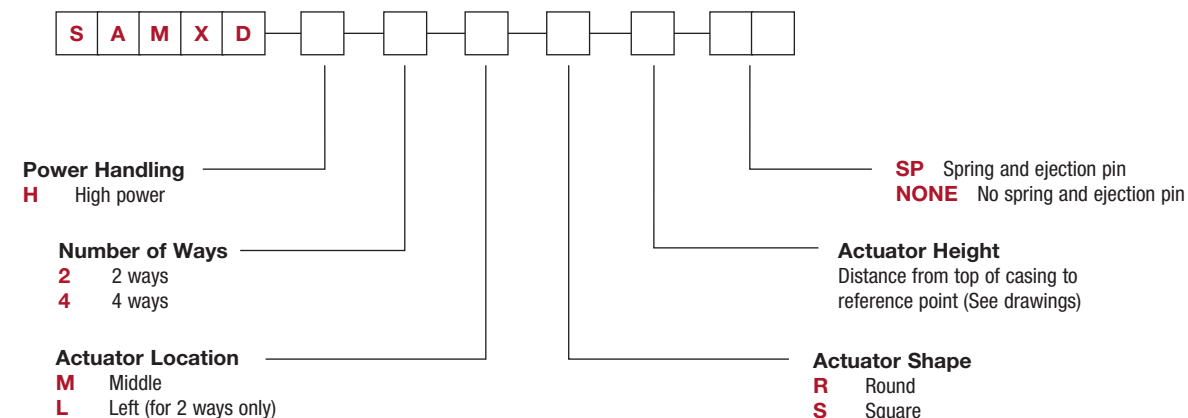
Environmental

OPERATING TEMPERATURE: -40°C to +85°C
 SEALING LEVEL: IP5x

How To Order

Our easy build-a-switch concept allows you to mix and match options to create the switch you need. To order, select desired option from each category and place it in the appropriate box.

For any part number different from those listed above, please consult your local representative.



First Angle
Projection

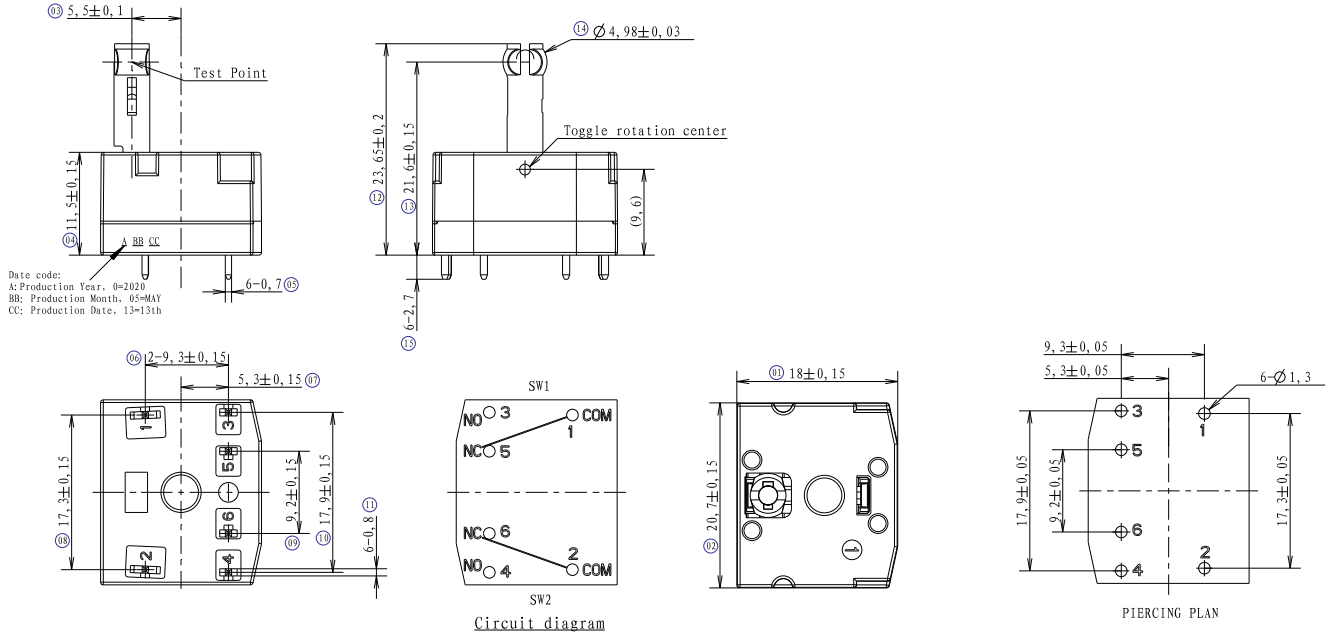
Dimensions are shown: mm
 Specifications and dimensions subject to change



New

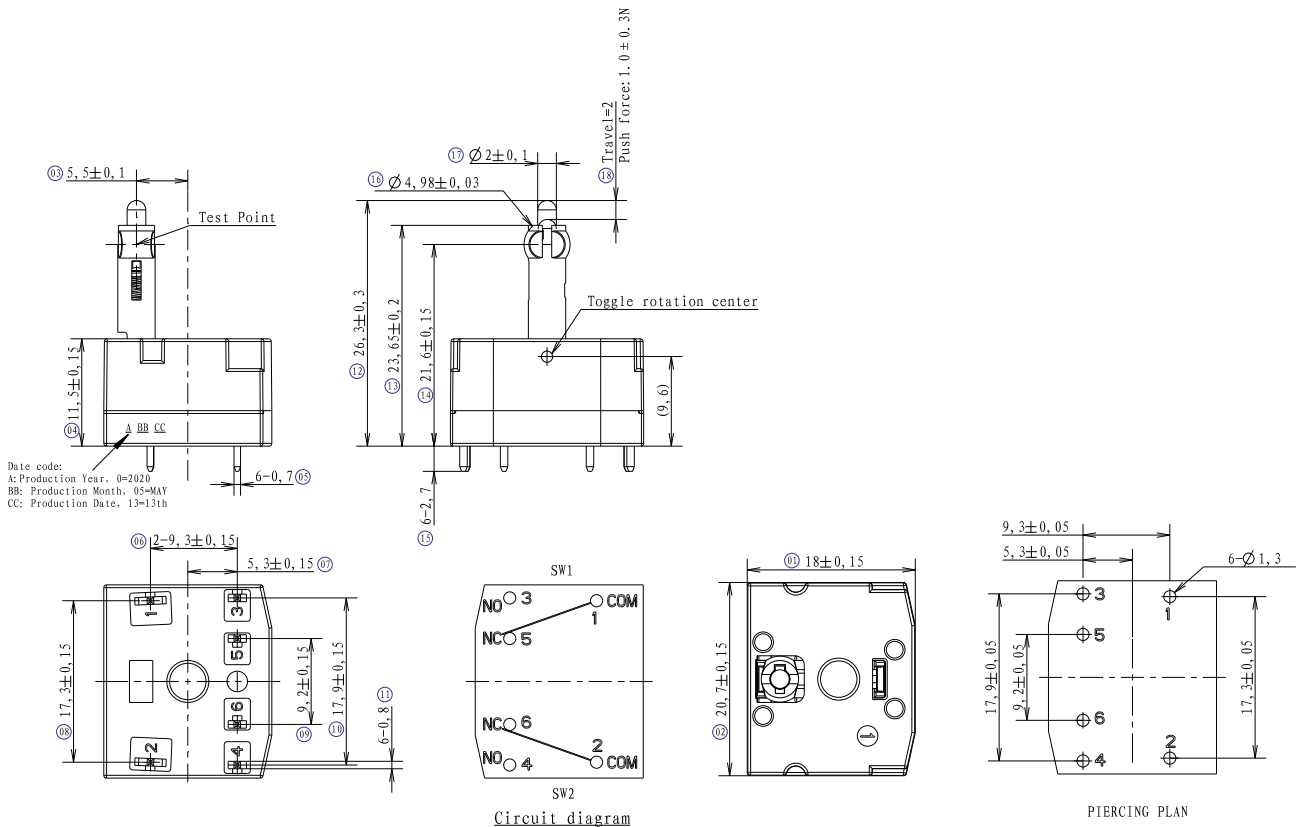
SAMXD Series Dust Protected Seat Adjustment Switches

SAMXDH2LR10



Navigation

SAMXDH2LR10SP



First Angle Projection

Dimensions are shown: mm

Specifications and dimensions subject to change

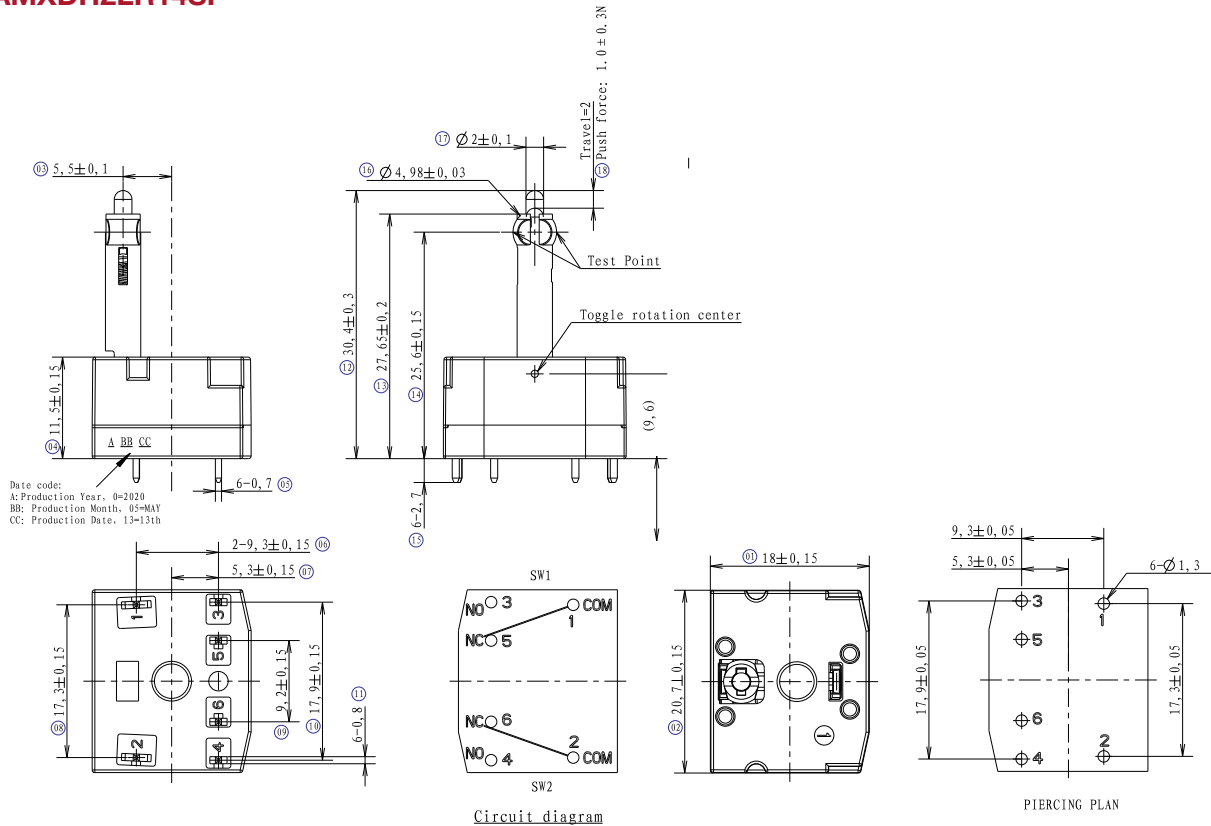


10 Jun 21

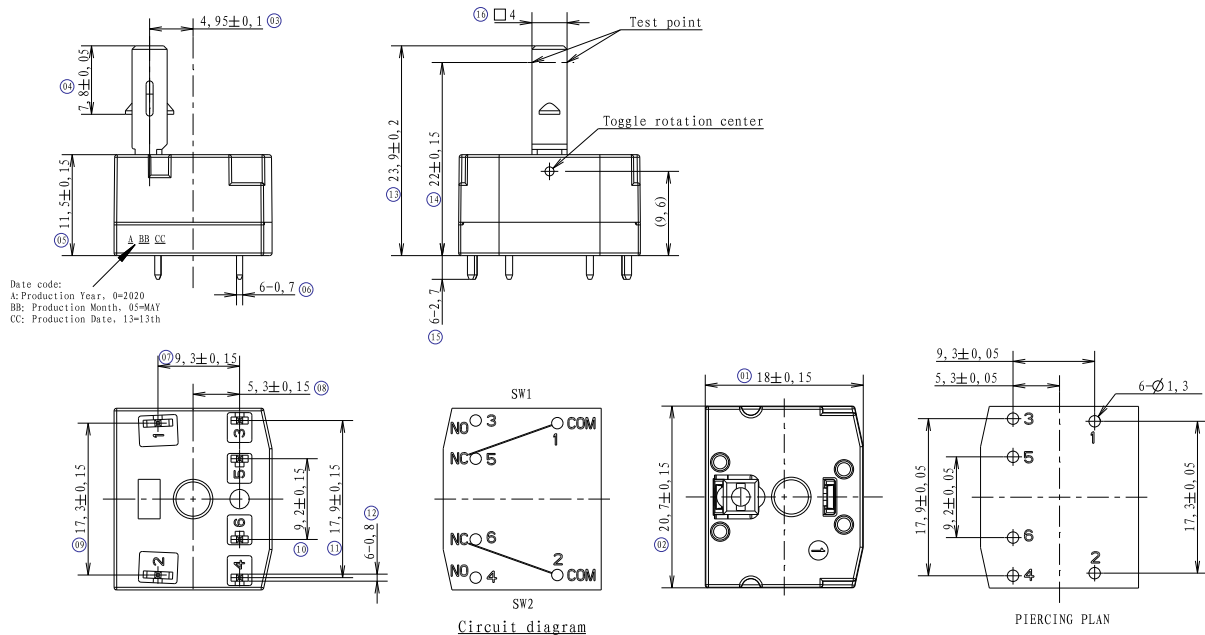
SAMXD Series Dust Protected Seat Adjustment Switches

New

SAMXDH2LR14SP



SAMXDH2LS11



Dimensions are shown: mm
Specifications and dimensions subject to change

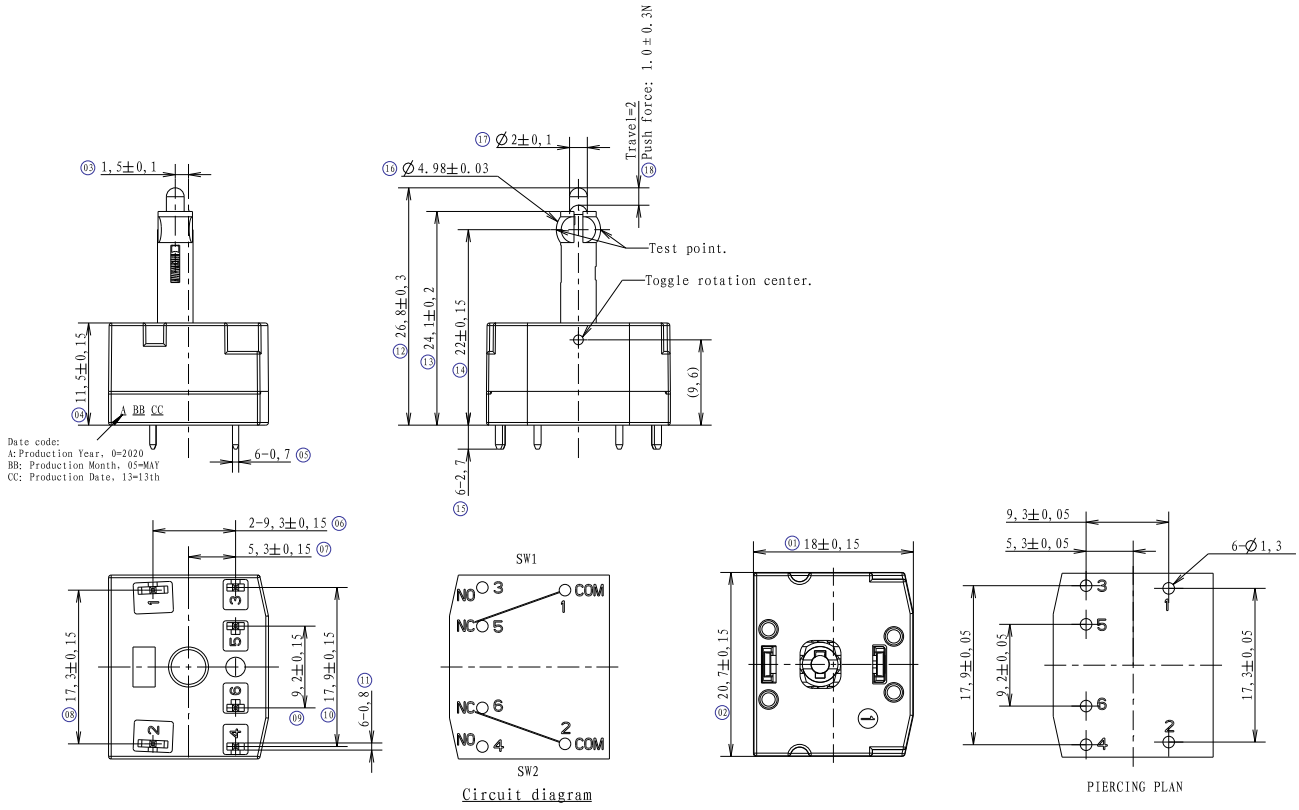
New

SAMXD Series Dust Protected Seat Adjustment Switches

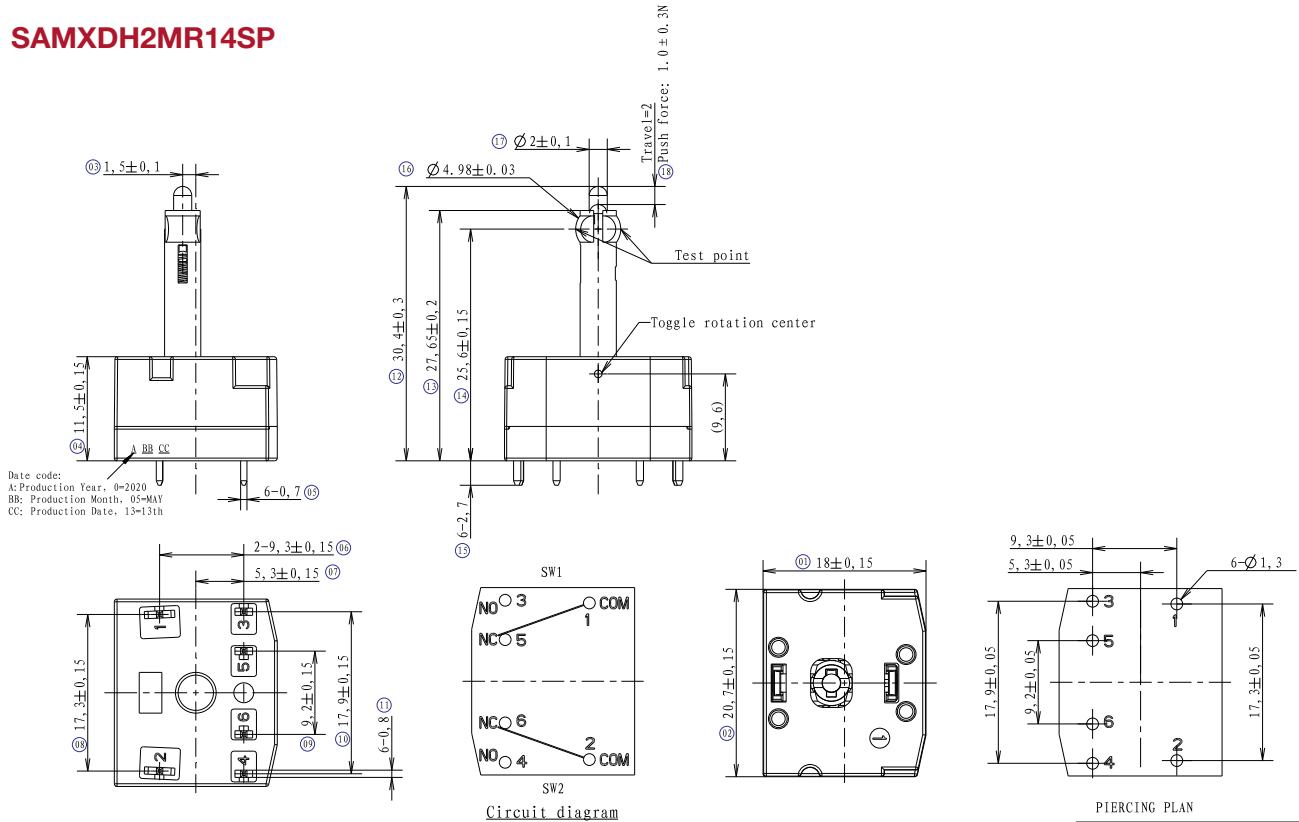


Navigation

SAMXDH2MR10SP



SAMXDH2MR14SP

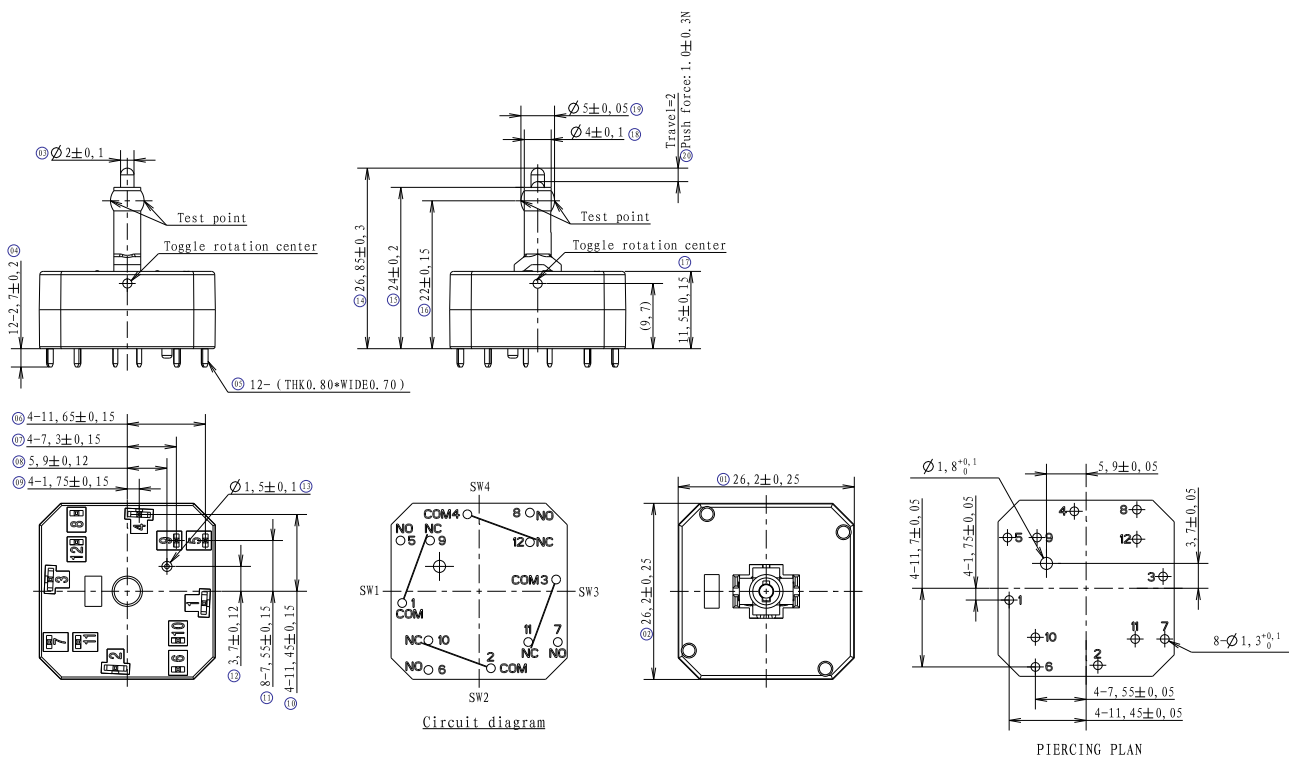


Dimensions are shown: mm
Specifications and dimensions subject to change

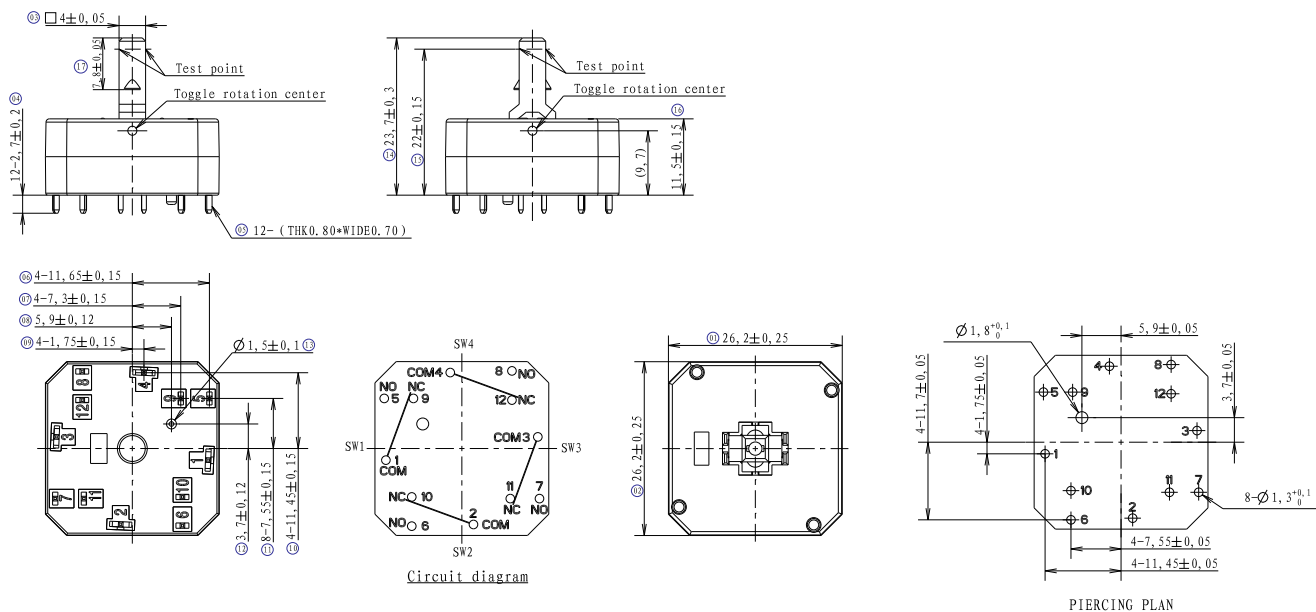
SAMXD Series Dust Protected Seat Adjustment Switches

New

SAMXDH4MR11SP



SAMXDH4MS11



Navigation