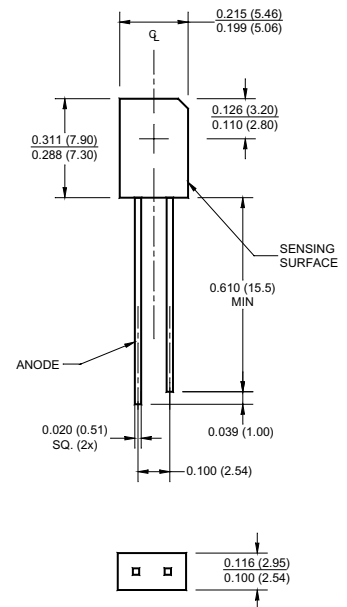


# Plastic Silicon Photosensors

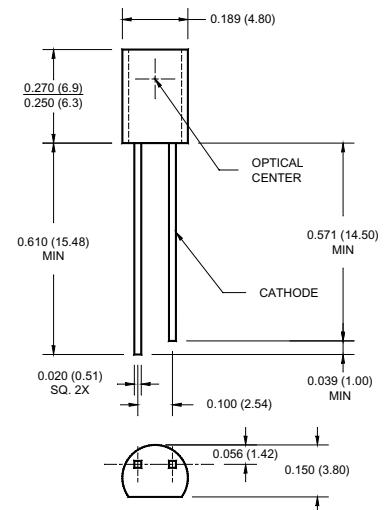
## Sidelooker Detector Package (No Lens)



Part Number	Test Conditions			$I_L$ ( $\mu A$ )		$I_{RD}$ @ 10 V $V_R$ (nA) max	Radiant Sensitive Area ( $mm^2$ )	Sensor Type
	$V_R$ (V)	$E_e$ ( $mW/cm^2$ )	$\lambda_p$ (nm)	min	max			
QSE773	5	1.0	940 GaAs	30.0	-	30	2.71 x 2.71	Photodiode

All dimensions are in inches (millimeters)

## T0-92 Detector Package



Part Number	Test Conditions			$I_L$ ( $\mu A$ )		$I_{RD}$ @ 10 V $V_R$ (nA) max	Radiant Sensitive Area ( $mm^2$ )	Sensor Type
	$V_R$ (V)	$E_e$ ( $mW/cm^2$ )	$\lambda_p$ (nm)	min	max			
QSE973	5	1.0	940 GaAs	30.0	-	30	2.71 x 2.71	Photodiode

All dimensions are in inches (millimeters)

Absolute Maximum Ratings	PARAMETER	QSE11X, 21X	
	<b>Temperature</b>		
	$T_{OPR}$	-40 to +100°C	
	$T_{STG}$	-40 to +100°C	
	$T_{SOL-H}$	240°C for 5 sec	
	$T_{SOL-F}$	260°C for 10 sec	
	<b>Sensor</b>		
$V_{CEO}$	30 V		
$V_{ECO}$	5.0 V		
$P_D$	100 mW		

Absolute Maximum Ratings	PARAMETER	QSE773, 993	
	<b>Temperature</b>		
	$T_{OPR}$	-40 to +85°C	
	$T_{STG}$	-40 to +85°C	
	$T_{SOL-H}$	240°C for 5 sec	
	$T_{SOL-F}$	260°C for 10 sec	
	<b>Diode</b>		
$I_F$	NA		
$V_R$	30 V		
$P_D$	150 mW		