

5

4

3

2

1

G

G

F

F

E

E

D

D

C

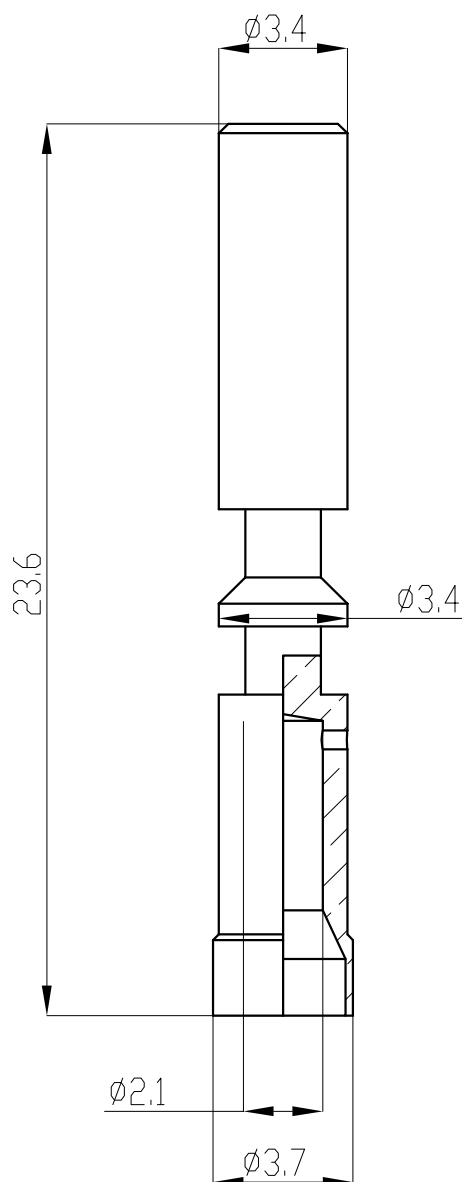
C

B

B

A

A



Notes:

Packaging units: 36 pcs

Tolerances (unless specified): DIN ISO 2768 m

Bemerkungen:

Verpackungseinheit: 36 Stück

Toleranzen (sofern nichts anderes angegeben ist):
DIN ISO 2768 m

DESCRIPTION EC NO: WEU2008-0019 DRWN: BBRAUCH 2008/05/15 CH'KD: LS 2008/05/26 APPR: REISSNER 2008/05/27	QUALITY SYMBOLS	GENERAL TOLERANCES (UNLESS SPECIFIED)		DIMENSION STYLE		SCALE	DESIGN UNITS	FIRST ANGLE PROJECTION	
	▼ = 0 ▽ = 0	4 PLACES	mm	INCH	MM	5:1	METRIC		
		3 PLACES	±----	±----	DRAWN BY	DATE	M23 PWR CONT2.0 FEM 0.75 - 2.5 P/N: KCP00-10		
		2 PLACES	±----	±----	BB	2008/05/15			
		1 PLACE	±----	±----	CHECKED BY	DATE	MOLEX INCORPORATED		
	ANGULAR ± --- °		RE	2008/05/26					
01	REV	DRAFT WHERE APPLICABLE MUST REMAIN WITHIN DIMENSIONS		MATERIAL NO.	DOCUMENT NO.	SHEET NO.			
				1202350018	SD-120235-018	1 OF 1			
				SIZE A4	THIS DRAWING CONTAINS INFORMATION THAT IS PROPRIETARY TO MOLEX INCORPORATED AND SHOULD NOT BE USED WITHOUT WRITTEN PERMISSION				

5

4

3

2

1