

Safety magnetic sensors

Rectangular safety magnetic sensors

SMS01, SMS02



- Safety Category 4 according to EN 954-1
- 1NO + 1NC outputs
- Cable output connection
- Rectangular housing
- Multiple Flux coding
- LED indication (SMS02LD only)
- Series resistor on NO contact (SMS02S1 only)

Product Description

The safety magnetic sensors are particularly addressed to the safety gates that allow the entry to machines with dangerous movements and their risk category can be 4 (EN 954-1). They are provided with two contacts, 1 NO + 1 NC. The SMS02S1 model has a series resistor on NO contact to avoid read welding problems. The SMS02LD model has a LED for signalling.

Ordering Key

SMS 02 LD

Safety Magnetic sensor _____
 Contact Type _____
 Other features _____

Type Selection

Output	Operating distance	LED indication	Item code	Item code (UL)
1 NO + 1 NC	10 mm	No	SMS 01	SMS AP 11 AA 02M
1 NO + 1 NC	20 mm	No	SMS 02	SMS AP 11 AB 02M
1 NO + 1 NC	20 mm	Yes	SMS 02 LD	SMS AP 11 AC 02M
1 NO + 1 NC	20 mm	No	SMS 02 S1	SMS AP 11 AE 02M

Output Specifications

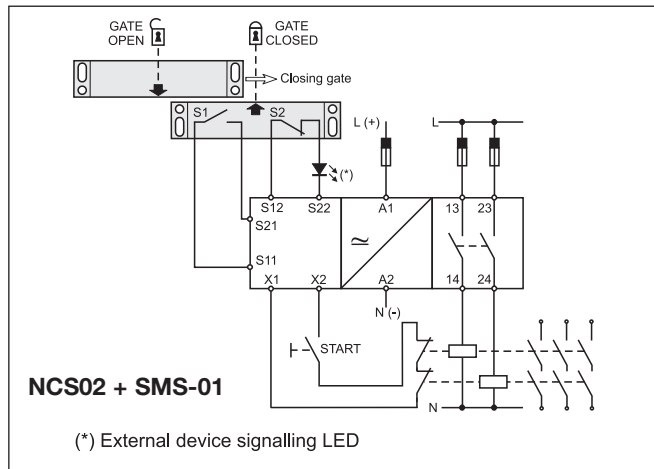
Output	Category 4 (EN 954-1) 1 NO + 1 NC
Output connection	Cable (PVC, AWG 26, L=2m 4x0.15 mm ²)
Contact ratings	Max Switching Voltage 100 VAC Max Switching Current 0.25 A Max Switching Power 5 VA
Series resistor (NO contact) SMS02S1	R = 39 Ω, 2 W

General Specifications

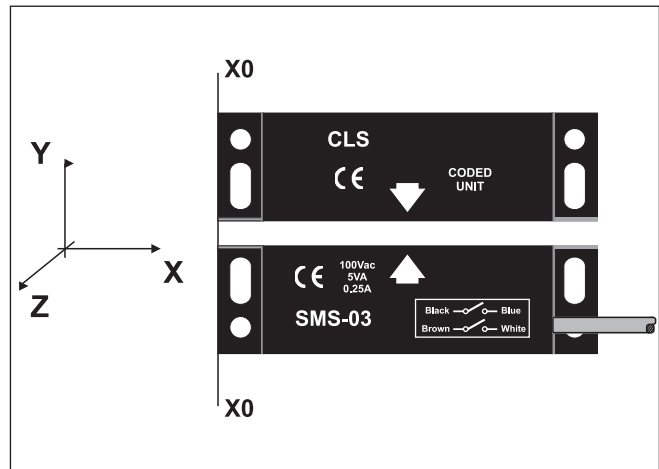
Operating distance ON SMS01 only	10 ± 3 mm 20 ± 3 mm
Release distance OFF SMS01 only	15 ± 3 mm 30 ± 5 mm
Reset distance SMS01 only	20 ± 3 mm 35 ± 5 mm
Suitable magnetic unit	CLS
Misalignment	max ± 4 mm
Housing	Dimensions 88 x 25 x 13 mm Material Plastic
Weight	Approx. 70 g
Environment	Degree of protection IP 67 Operating temperature -25 to +70 °C Storage temperature -25 to +70 °C
Indication for Gate open (SMS02LD)	LED, red



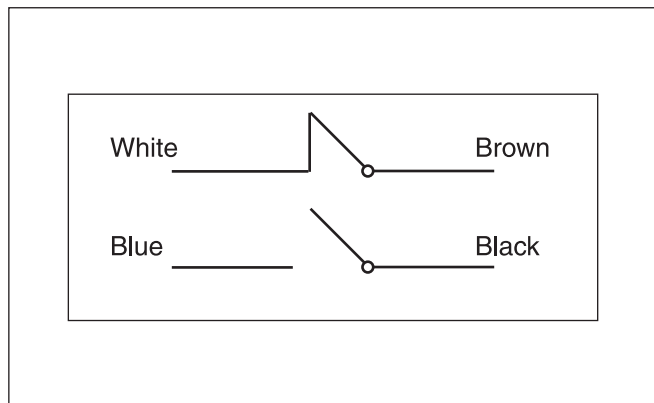
Application



Operating directions



Wiring Diagrams



Dimensions

