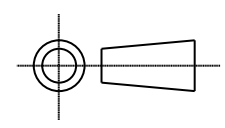


ISS.	DATE	E.C.N.	DESCRIPTION
1	17-Aug-06		FIRST ISSUE

© 2008 CARCLO
ALL DIMENSIONS IN mm



CARCLO TECHNICAL PLASTICS (SLOUGH)
111 BUCKINGHAM AVE, SLOUGH
SL1 4PF, ENGLAND
TEL: +44 1753 575011 FAX: +44 1753 811359
e-mail: design@carclo-optics.com}

CUSTOMER DRAWING

- NOTES:
1. MATERIAL - UV STABILISED POLYCARBONATE
2. INCLUSIONS SPECIFIED TO BS4301

GENERAL TOLERANCES (UNLESS STATED)

LINEAR	ANGULAR
X +/- 0.25	X +/- 1°
X.X +/- 0.1	X.X +/- 0.5°
X.XX +/- 0.05	X.XX +/- 0.1°

CUSTOMER
CARCLO

TITLE
**MEDIUM CIRCULAR 0.8MM
OFFSET FOCUS 20MM DIA OPTIC**

DRAWN
AJD DATE
17-Aug-06

CHK'D DATE

APP'D DATE

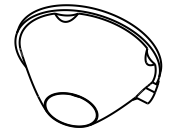
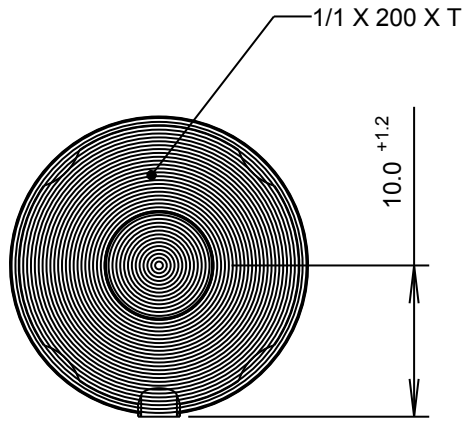
SCALE
2:1

CARCLO PART No.
10208

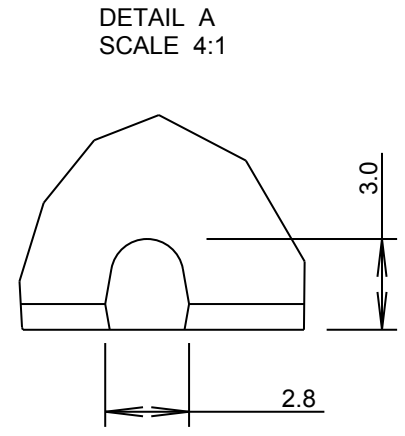
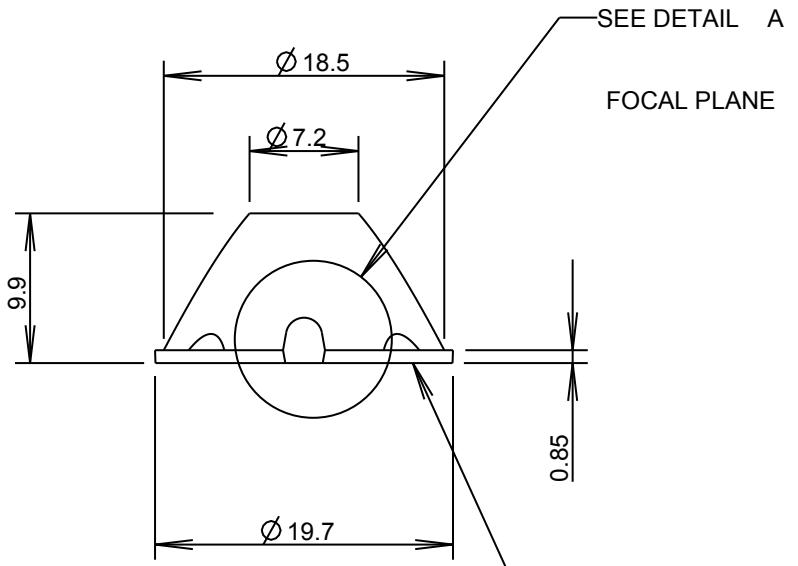
SIZE
A4

CARCLO DRG. No.
60440

SHEET
1 OF 1



3D VIEW
SCALE 1:1



DETAIL A
SCALE 4:1