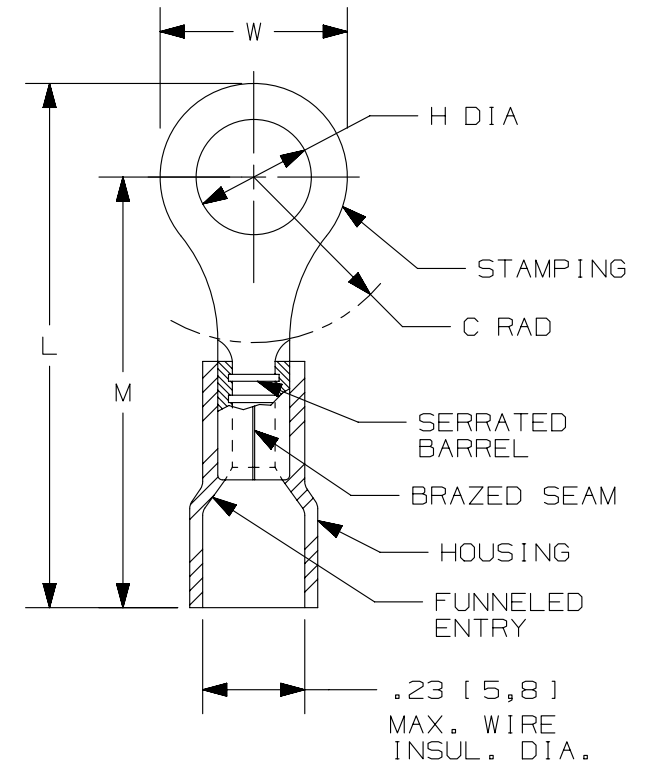


THIS COPY IS PROVIDED ON A RESTRICTED BASIS AND IS NOT TO BE USED IN ANY WAY DETRIMENTAL TO THE INTERESTS OF PANDUIT CORP.

PANDUIT PART #	STUD SIZE	DIMENSIONS in. [mm]				
		L ± .02 [0,5]	W ± .01 [0,3]	C ± .015 [0,4]	M ± .02 [0,5]	H ± .01 [0,3]
PV12-6HDR	#6	1.05 [26,7]	.31 [7,9]	.35 [8,9]	.89 [22,6]	.15 [3,8]
PV12-8HDR	#8	1.05 [26,7]	.31 [7,9]	.35 [8,9]	.89 [22,6]	.17 [4,3]
PV12-10HDR	#10	1.08 [27,4]	.37 [9,4]	.33 [8,4]	.89 [22,6]	.20 [5,1]
PV12-14HDR	1/4"	1.23 [31,2]	.52 [13,2]	.42 [10,7]	.97 [24,6]	.27 [6,9]
PV12-56HDR	5/16"	1.23 [31,2]	.52 [13,2]	.42 [10,7]	.97 [24,6]	.34 [8,6]
PV12-38HDR	3/8"	1.31 [33,3]	.58 [14,7]	.46 [11,7]	1.02 [25,9]	.40 [10,2]



NOTES:

- USED FOR:
 - A. #16-12 AWG [2,0-6,0 mm²] STRANDED COPPER WIRE
 - B. 221°F [105°C] MAX. OPERATING TEMPERATURE
 - C. 600 V. MAX. VOLTAGE RATING
- INSTALLATION TOOLS:
 - A. UL APPROVED: CT-600A (CT-550CH), CT-1550, CT-1551, CT-2500 (CT-2550CH)
 - B. PANDUIT APPROVED: CT-460
- WIRE STRIP LENGTH: 9/32" ^{+1/32} [7,1^{+0,8}]
- MATERIAL:
 - A. STAMPING: .05" [1,3] THK COPPER, TIN PLATED
 - B. HOUSING: VINYL, YELLOW
- SEE www.panduit.com FOR PACKAGE QUANTITIES INDICATED BY PART NUMBER SUFFIX
- DIMENSIONS IN BRACKETS ARE METRIC EQUIVALENT



LISTED
587H
E52164



CERTIFIED
LR31212

B

B

A

A

D10100DA/15

04	10.16.12	JBN	LCA	VMB	REVISED NOTES. UPDATED DRAWING TO CURRENT STANDARDS.					A41281	
REV	DATE	BY	CHK	APR	DESCRIPTION	ECN					

TITLE RING TERMINALS, VINYL INSULATED, HEAVY DUTY #16-12		CUSTOMER DRAWING	
ITEM REVISION NAME N41281BA/04		PANDUIT	
DATASET FILE NAME N41281BA_DC/04A			
UNLESS OTHERWISE SPECIFIED, DIMENSIONAL TOLERANCES ARE: IN [mm]		MATERIAL: SEE NOTES	
.x ± .1 [2.54] .xxx ± .005 [0.13] .xx ± .01 [0.25] ANGLES ± 5°		DRAWING NUMBER: A41281	
THIRD ANGLE PROJECTION			
DRAWN BY DAW	DATE -	CHK -	SCALE N.T.S.
SHT 1 OF 1		A	