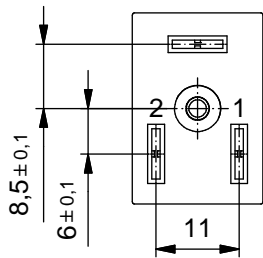
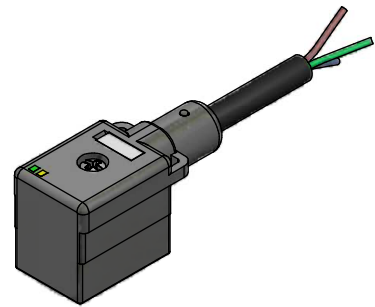


**Technical specification :**

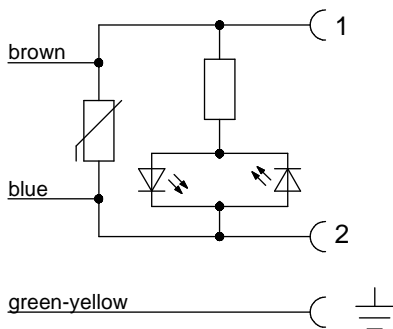
Rated voltage: 24 V AC / DC  
 Current rating: 4 A at 40°C  
 IEC 60512-5-2 5b  
 Pollution degree: 3  
 IEC 60664-1  
 Degree of protection: IP 67, in mated condition  
 IEC 60529  
 Temperature range: -25°C ... +80°C  
 IEC 60664-1  
 Mating cycles: >50

**Materials:**

Contact: CuZn  
 Contact plating: Nickel, stannous plated  
 Contact carrier: PA GF, UL 94  
 Moulding body: TPU, UL 94, transparent



**Contact assignment:**



Part no:	Description:	Length L:	Cable:
55-00073	SAL - BI - V2PE - 180 - 124 - 2 / H2	2m	PUR/PVC, black, 3x0,5mm <sup>2</sup> Cable: 781-H25300
55-00014	SAL - BI - V2PE - 180 - 124 - 3 / H2	3m	
55-00015	SAL - BI - V2PE - 180 - 124 - 5 / H2	5m	
55-00074	SAL - BI - V2PE - 180 - 124 - 10 / H2	10m	
55-00187	SAL - BI - V2PE - 180 - 124 - 2 / A2	2m	PVC, black, 3x0,5mm <sup>2</sup> Cable: -
55-00188	SAL - BI - V2PE - 180 - 124 - 3 / A2	3m	
55-00189	SAL - BI - V2PE - 180 - 124 - 5 / A2	5m	
55-00190	SAL - BI - V2PE - 180 - 124 - 10 / A2	10m	
55-00199	SAL - BI - V2PE - 180 - 124 - 2 / K1 / 075	2m	TPU, UL 20549, black, 3x0,75mm <sup>2</sup> Cable: 781-K17300
55-00200	SAL - BI - V2PE - 180 - 124 - 3 / K1 / 075	3m	
55-00201	SAL - BI - V2PE - 180 - 124 - 5 / K1 / 075	5m	
55-00202	SAL - BI - V2PE - 180 - 124 - 10 / K1 / 075	10m	
55-00203	SAL - BI - V2PE - 180 - 124 - 2 / A3 / 075	2m	PVC, UL 2464, grey, 3x0,75mm <sup>2</sup> Cable: 781-A37300
55-00204	SAL - BI - V2PE - 180 - 124 - 3 / A3 / 075	3m	
55-00205	SAL - BI - V2PE - 180 - 124 - 5 / A3 / 075	5m	
55-00206	SAL - BI - V2PE - 180 - 124 - 10 / A3 / 075	10m	

D see data sheet cable

DO NOT ALTER CAD DRAWING BY HAND Directive 2002/95/EC RoHS compliant	Index: a 02.02.11 VF Ä3731 contact assignment modified, dimension cable diameter removed, part no. cable in table added	dim. in mm	title: <b>Valve plug type B industrial, with protective circuit, ground 180° rotated</b> dwg no: <b>55K1A008</b> part no: <b>see table</b>									
				<table border="1"> <tr> <td></td> <td>date</td> <td>name</td> </tr> <tr> <td>drawn</td> <td>16.06.08</td> <td>Franz</td> </tr> <tr> <td>appd.</td> <td>16.06.08</td> <td>Schmidt</td> </tr> </table>		date	name	drawn	16.06.08	Franz	appd.	16.06.08
		date		name								
	drawn	16.06.08		Franz								
appd.	16.06.08	Schmidt										
THIS DRAWING MAY NOT BE COPIED OR REPRODUCED IN ANY WAY, AND MAY NOT BE PASSED ON TO A THIRD PARTY WITHOUT WRITTEN PERMISSION. OWNERSHIP AND COPYRIGHT OF CONEC GmbH												