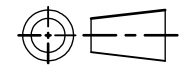
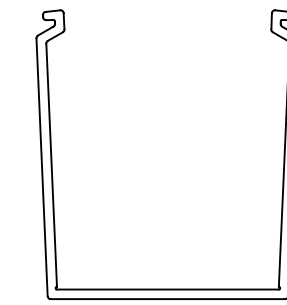


SW2010



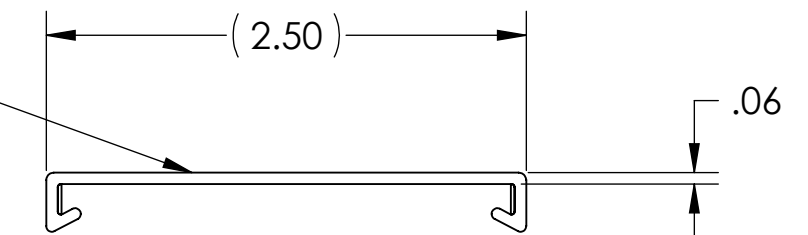
Revision level		Revision Record	Changed	Date	Approved	Date
Drawing	Part					
01	-	SEE ECN# 100016	MHT	01/09/2012	MHT	02/06/2012

SCALE 1:2

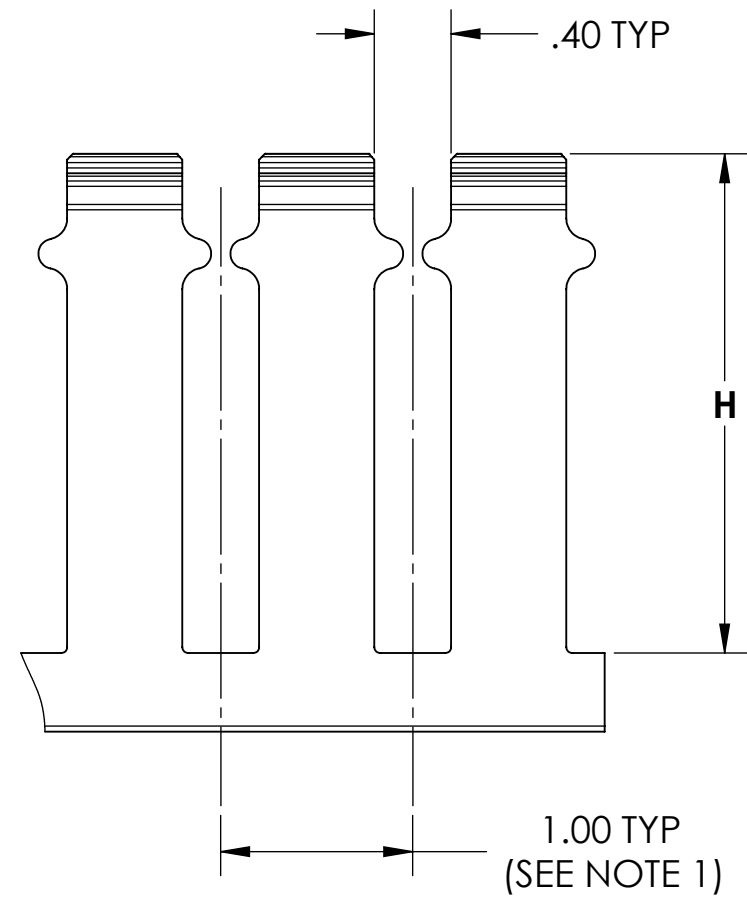


2.5X3

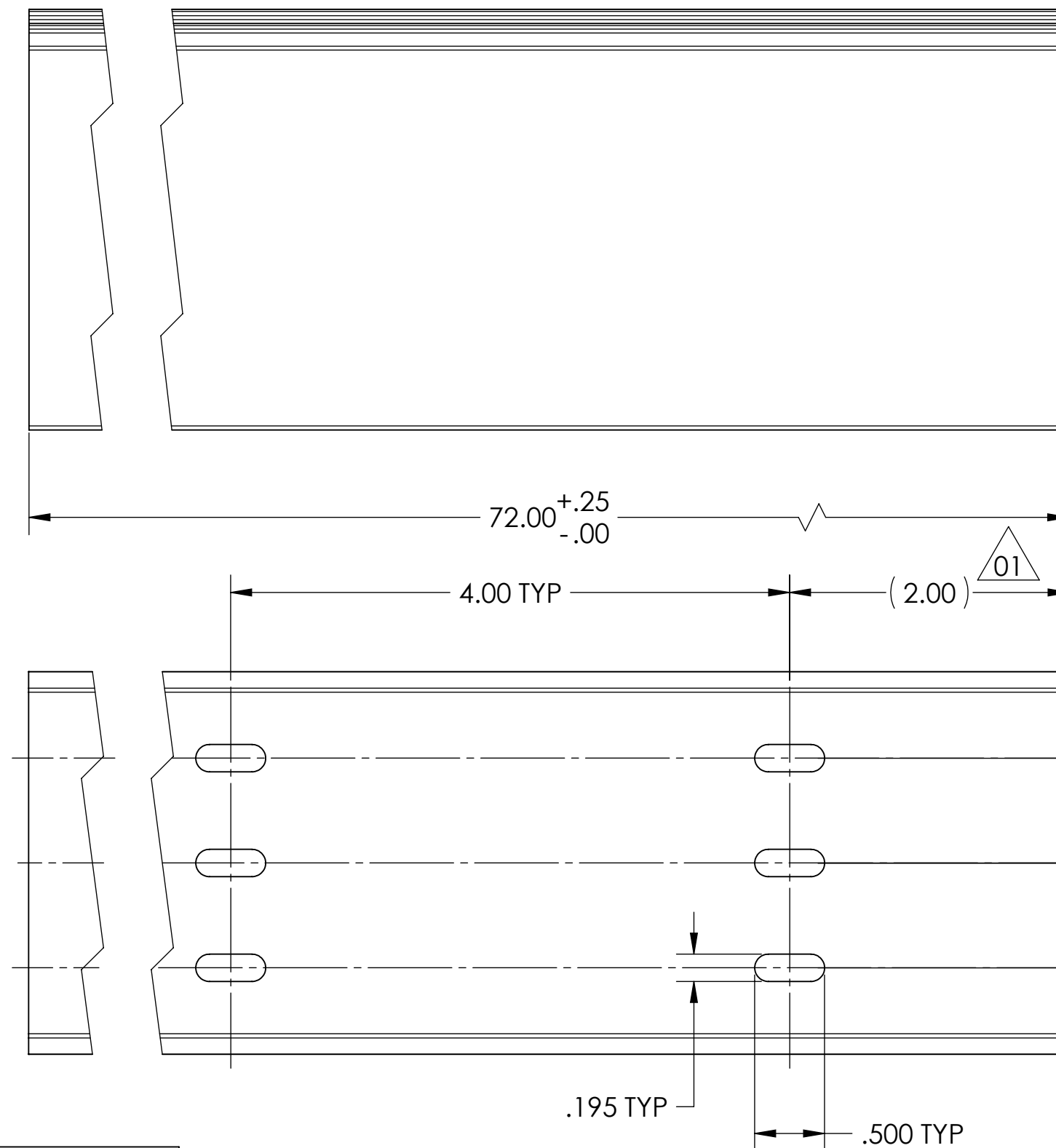
COVER WITH REMOVABLE PROTECTIVE FILM



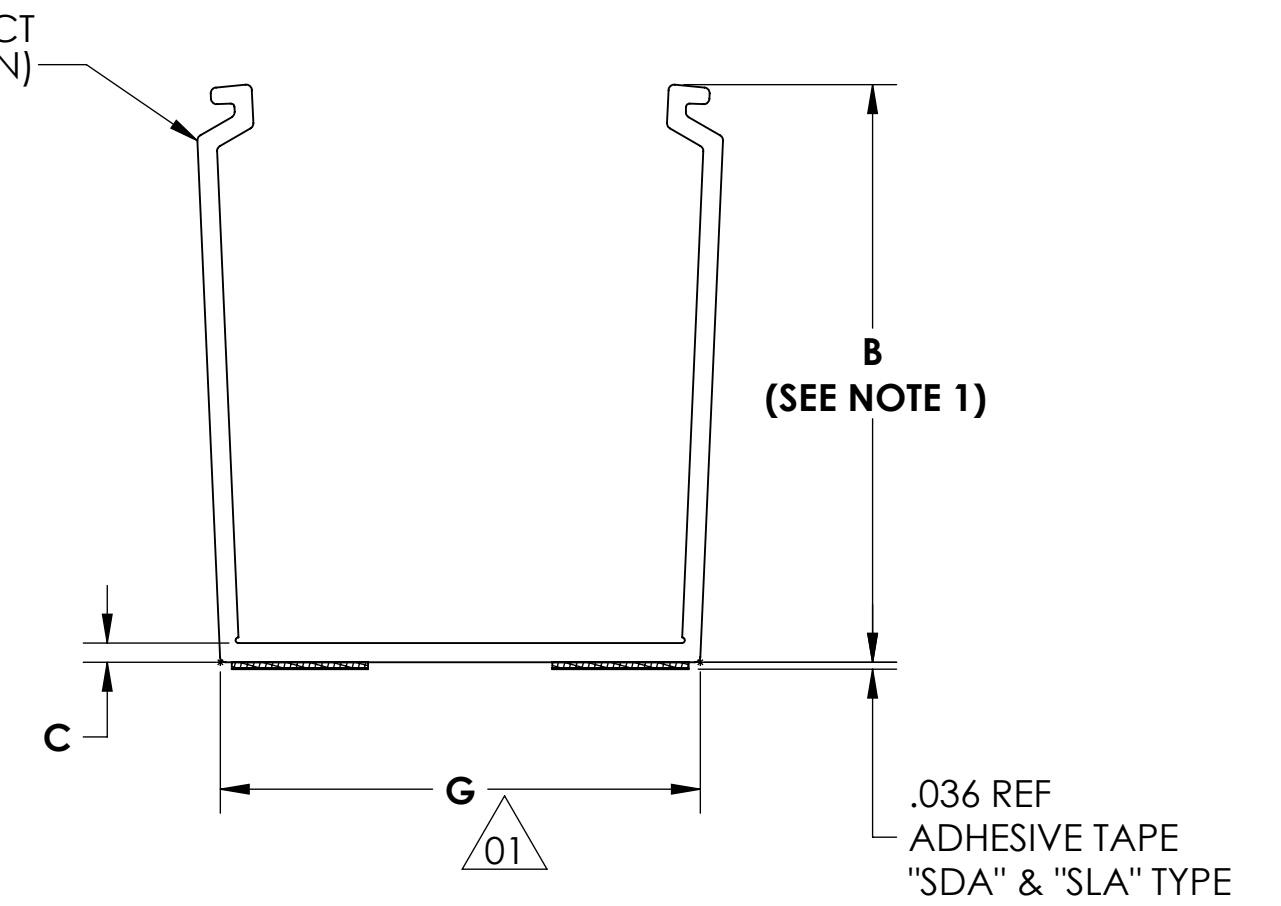
SLOTTED WALL DUCT TYPE "SL"



SOLID WALL DUCT TYPE "SD"



DUCT (2.5X3 SHOWN)



50% WIRE FILL CAPACITY
WIRE O.D.

DUCT SIZE (WxH)	DUCT AREA (Sq. In.)	TWISTED PAIR 24 AWG UNSHIELDED								
		12AWG	14AWG	16AWG	18AWG	22AWG	4 Pr. Cat 5e	4 Pr. Cat 6	4 Pr. Cat 6a	
2.5X3	6.564	.158	.165	.139	.125	.113	.065	.217	.240	.354
		167	154	216	268	327	990	89	73	33

Notes
1) BOTH SIDES ALIKE WITHIN .015



Material

PVC
AVAILABLE IN WHITE,
GRAY, BLACK, OR BLUE
CONSULT FACTORY FOR
OTHER COLORS
RoHS COMPLIANT

Units

inches
Dimension without tolerances
details to:
.xxxx = ±.0005
.xxx = ±.005
.xx = ±.01
.x = ±.03
None = ±.06
∠ = ±0.5°

The copyright of this drawing is reserved by HellermannTyton. It is issued on condition that it is not reproduced, copied, or disclosed to a third party, either wholly or in part, without the consent of HellermannTyton.

Drawn

Approved

KAC

10/27/2010

Article/Type-No

SEE CHART

Title

2.5" WIDE SD, SDA, SL, SLA DUCT WITH COVER

Drawing-No

DT07-021-252CST

Pre-Production : Phase

Scale

1:1

Project Number

PRP07-021

Format

C

Sheet

1/1

HellermannTyton
North America
Email: corp@htamericas.com
Web: www.hellermann.tyton.com