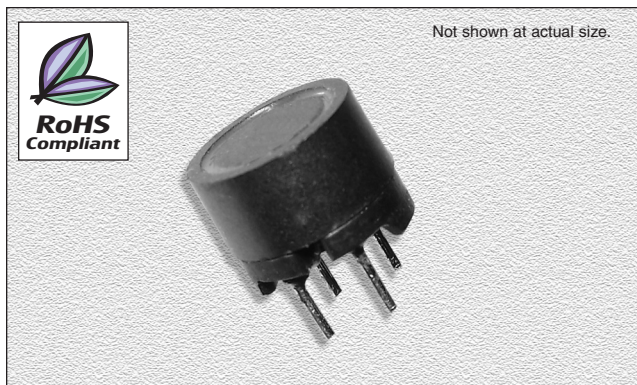


CTSCH108DF Series

From 10 μH to 1,000 μH



CHARACTERISTICS

Description: Radial leaded fixed inductor

Applications: Magnetically shielded. High reliability, efficiency and saturation. Ideal for use as a power choke coil in switching power supply, TV sets, video appliances, and industrial equipment as well as use as a peaking coil in filtering applications

Inductance Tolerance: $\pm 15\%$, $\pm 20\%$

Testing: Tested on a HP4285A or HP4284A at specified frequency.

Packaging: Bulk packaging

Rated Current: The rated D.C. current indicates the value of current when the inductance is 10% lower than its initial value at D.C. superposition or D.C. current when at $\Delta t=40^\circ\text{C}$ whichever is lower. ($T_a=20^\circ\text{C}$)

Miscellaneous: RoHS Compliant

Additional Information: Additional electrical & physical information available upon request

Samples available. See website for ordering information.

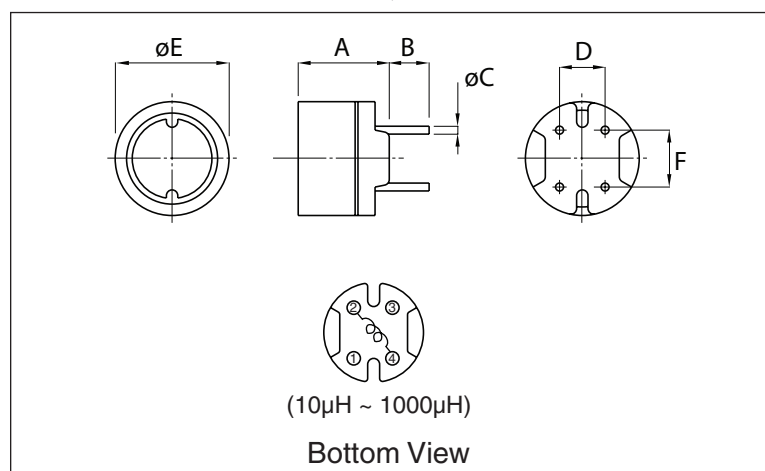
SPECIFICATIONS

Parts numbers indicate available inductance tolerance.
L = $\pm 15\%$, M = $\pm 20\%$

Part Number	Inductance (μH)	Test Freq. (Hz)	DCR Max. (Ω)	Rated DC (A)
CTSCH108DF-100M	10	2.52M	0.05	2.80
CTSCH108DF-120M	12	2.52M	0.06	2.50
CTSCH108DF-150M	15	2.52M	0.07	2.30
CTSCH108DF-180M	18	2.52M	0.08	2.10
CTSCH108DF-220M	22	2.52M	0.09	2.00
CTSCH108DF-270M	27	2.52M	0.10	1.76
CTSCH108DF-330M	33	2.52M	0.11	1.60
CTSCH108DF-390M	39	2.52M	0.12	1.38
CTSCH108DF-470M	47	2.52M	0.14	1.28
CTSCH108DF-560L	56	2.52M	0.15	1.20
CTSCH108DF-680L	68	2.52M	0.16	1.00
CTSCH108DF-820L	82	2.52M	0.18	0.96
CTSCH108DF-101L	100	1.00k	0.20	0.92
CTSCH108DF-121L	120	1.00k	0.24	0.80
CTSCH108DF-151L	150	1.00k	0.35	0.73
CTSCH108DF-181L	180	1.00k	0.40	0.64
CTSCH108DF-221L	220	1.00k	0.54	0.61
CTSCH108DF-271L	270	1.00k	0.76	0.56
CTSCH108DF-331L	330	1.00k	0.86	0.50
CTSCH108DF-391L	390	1.00k	0.93	0.44
CTSCH108DF-471L	470	1.00k	1.23	0.41
CTSCH108DF-561L	560	1.00k	1.34	0.38
CTSCH108DF-681L	680	1.00k	1.53	0.34
CTSCH108DF-821L	820	1.00k	2.10	0.32
CTSCH108DF-102L	1000	1.00k	2.30	0.28

PHYSICAL DIMENSIONS

Size	A	B	C	D	E	F
mm	8.0 \pm 0.5	3.5 \pm 1.0	0.7+0.1,-0.05	4.0 \pm 0.3	10.0 \pm 0.5	5.0 \pm 0.3
inches	0.31 \pm 0.02	0.14 \pm 0.04	0.027+0.004,-0.002	0.16 \pm 0.012	0.40 \pm 0.02	0.20 \pm 0.012



03.14.07