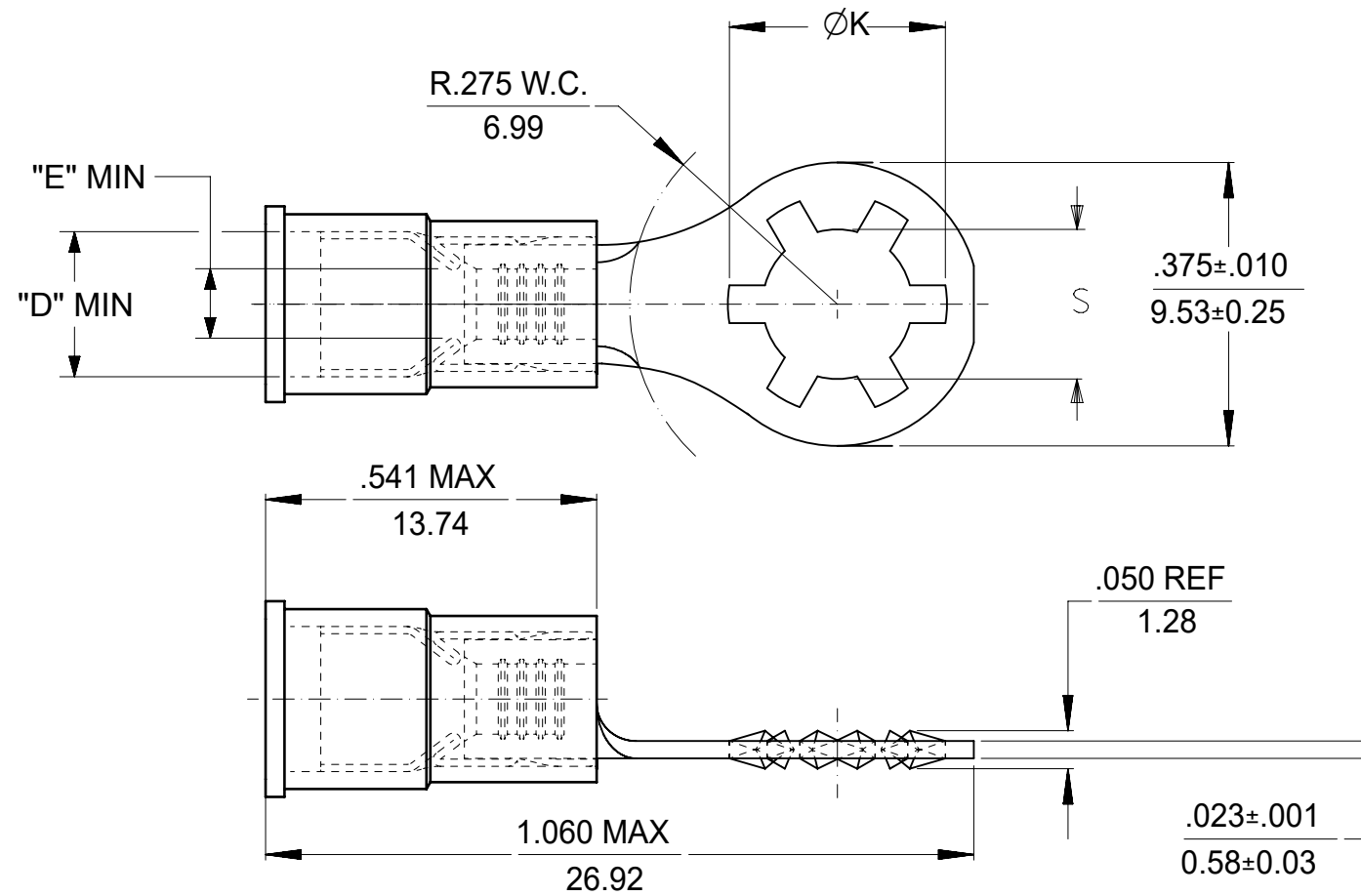


| MATERIAL NO. | ENG NO.      | HOUSING COLOR<br>WIRE AWG   | TERMINAL<br>MAT'L | S<br>±.007/.178 | K<br>REF  | "D"<br>MIN  | "E"<br>MIN  |
|--------------|--------------|-----------------------------|-------------------|-----------------|-----------|-------------|-------------|
| 190760001    | SRA-529-06   | RED                         | BRASS             | .146/3.71       | .236/5.99 | .140 (3.56) | .054 (1.37) |
| 190760003    | SRA-529-08   | 22-18 AWG                   |                   | .173/4.40       | .263/6.68 |             |             |
| 190760005    | SRA-529-10   | (0.38-0.96MM <sup>2</sup> ) |                   | .198/5.03       | .288/7.32 |             |             |
| 190760013    | SRB-529-06   | BLUE                        |                   | .146/3.71       | .236/5.99 | .170 (4.32) | .084 (2.13) |
| 190760015    | SRB-529-08   | 16-14 AWG                   |                   | .173/4.40       | .263/6.68 |             |             |
| 190760017    | SRB-529-10   | (1.23-1.94MM <sup>2</sup> ) |                   | .198/5.03       | .288/7.32 |             |             |
| 190760007    | SRA-S-529-06 | RED                         | STEEL             | .146/3.71       | .236/5.99 | .140 (3.56) | .054 (1.37) |
| 190760009    | SRA-S-529-08 | 22-18 AWG                   |                   | .173/4.40       | .263/6.68 |             |             |
| 190760011    | SRA-S-529-10 | (0.38-0.96MM <sup>2</sup> ) |                   | .198/5.03       | .288/7.32 |             |             |
| 190760019    | SRB-S-529-06 | BLUE                        |                   | .146/3.71       | .236/5.99 | .170 (4.32) | .084 (2.13) |
| 190760021    | SRB-S-529-08 | 16-14 AWG                   |                   | .173/4.40       | .263/6.68 |             |             |
| 190760023    | SRB-S-529-10 | (1.23-1.94MM <sup>2</sup> ) |                   | .198/5.03       | .288/7.32 |             |             |



- A1**
- NOTE(S):
- FINISH:  
TERMINAL: TIN-PLATED (BRASS OR STEEL)  
FERRULE: TIN-PLATED BRASS
  - MWID: MAXIMUM WIRE INSULATION DIAMETER.
  - ASSEMBLY IS RoHS COMPLIANT.

ORIGINAL DRAWING WAS SD-19076-001

|                    |   |                                       |   |  |              |                        |                              |           |                 |          |              |
|--------------------|---|---------------------------------------|---|--|--------------|------------------------|------------------------------|-----------|-----------------|----------|--------------|
| FUNCTIONAL SYMBOLS | THIS DRAWING CONTAINS INFORMATION THAT IS PROPRIETARY TO MOLEX ELECTRONIC TECHNOLOGIES, LLC AND SHOULD NOT BE USED WITHOUT WRITTEN PERMISSION |                                       | CURRENT REV DESC: WAS DWG: SD-19076-001.<br>UPDATE DWG & RMV BOM. |  | <b>molex</b> |                        |                              |           |                 |          |              |
|                    | DIMENSION UNITS   | SCALE                                 |   |  |              |                        |                              |           |                 |          |              |
|                    | $\frac{E}{A} = 0$   | INCH/MM                               | 4:1   | EC NO: 672118<br>DRWN: DMYRICK 2021/07/30<br>CHK'D: JMACNEIL 2021/08/02<br>APPR: JMACNEIL 2021/08/02 |              |                        | STAR RING TERMINAL, AVIKRIMP |           |                 |          |              |
|                    | $\frac{E}{E} = 0$   | GENERAL TOLERANCES (UNLESS SPECIFIED) |   |  |              |                        |                              |           |                 |          |              |
| $\frac{E}{D} = 0$  |   |                                       | PRODUCT CUSTOMER DRAWING  |  |              |                        |                              |           |                 |          |              |
| DIVISIONAL SYMBOLS | MM  | INCH                                  |   |  |              |                        |                              |           |                 |          |              |
|                    | 4 PLACES ±  | ±                                     | INITIAL REVISION:   |  |              | DOCUMENT NUMBER        | DOC TYPE                     | DOC PART  | REVISION        |          |              |
|                    | 3 PLACES ±  | ±                                     | DRWN:   |  |              | 190760001              | PSD                          | 000       | A1              |          |              |
|                    | 2 PLACES ±  | ±                                     | APPR:   |  |              |                        |                              |           |                 |          |              |
|                    | 1 PLACE ±   | ±                                     | ANGULAR TOL ± °   |  |              |                        |                              |           |                 |          |              |
|                    | 0 PLACES ±  | ±                                     | DRAFT WHERE APPLICABLE MUST REMAIN WITHIN DIMENSIONS              |  |              | THIRD ANGLE PROJECTION | DRAWING                      | SERIES    | MATERIAL NUMBER | CUSTOMER | SHEET NUMBER |
|                    |   |                                       |   |  |              | B-SIZE                 | 19076                        | SEE CHART |                 | 1 OF 1   |              |