

AX8052F131

SoC Ultra-Low Power RF-Microcontroller for the 400 - 470 MHz and 800 - 940 MHz Bands



ON Semiconductor®

www.onsemi.com

OVERVIEW

The AX8052F131 is a single chip ultra-low-power RF-microcontroller SoC primarily for use in SRD bands. The on-chip transmitter consists of a fully integrated RF front-end with modulator, and demodulator. Base band data processing is implemented in an advanced and flexible communication controller that enables user friendly communication.

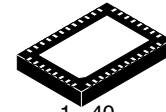
Features

SoC Ultra-low Power RF-microcontroller for Wireless Communication Applications

- QFN40 Package
- Supply Range 2.2 V – 3.6 V (1.8 V MCU)
- –40°C to 85°C
- Ultra-low Power Consumption:
 - ◆ CPU Active Mode 150 μ A/MHz
 - ◆ Sleep Mode with 256 Byte RAM Retention and Wake-up Timer running 900 nA
 - ◆ Sleep Mode 4 kByte RAM Retention and Wake-up Timer running 1.9 μ A
 - ◆ Sleep Mode 8 kByte RAM Retention and Wake-up Timer running 2.6 μ A
 - ◆ Radio TX-mode 22 mA at 10 dBm Output Power

AX8052 Features

- Ultra-low Power MCU Core Compatible with Industry Standard 8052 Instruction Set
- Down to 250 nA Wake-up Current
- Single Cycle/Instruction for many Instructions
- 64 kByte In-system Programmable FLASH
- Code Protection Lock
- 8.25 kByte SRAM
- 3-wire (1 dedicated, 2 shared) In-circuit Debug Interface
- Three 16-bit Timers with $\Sigma\Delta$ Output Capability
- Two 16-bit Wakeup Timers
- Two Input Captures
- Two Output Compares with PWM Capability
- 10-bit 500 ksamples Analog-to-Digital Converter
- Temperature Sensor
- Two Analog Comparators
- Two UARTs



QFN40 7x5, 0.5P
CASE 485EG

ORDERING INFORMATION

| Device | Package | Shipping [†] |
|-------------------|--------------------|------------------------|
| AX8052F131-2-TB05 | QFN28 (Pb-Free) | 500 / Tape & Reel |
| AX8052F131-3-TB05 | | |
| AX8052F131-2-TX30 | QFN40 (Pb-Free) | 3,000 / Tape & Reel |
| AX8052F131-3-TX30 | | |

[†]For information on tape and reel specifications, including part orientation and tape sizes, please refer to our Tape and Reel Packaging Specifications Brochure, BRD8011/D.

- One General Purpose Master/Slave SPI
- Two Channel DMA Controller
- Multi-megabit/s AES Encryption/Decryption Engine with True Random Number Generator (TRNG), supports AES-128, AES-192 and AES-256
NOTE: The AES Engine and the TRNG require Software Enabling and Support.
- Ultra-low Power 10 kHz/640 Hz Wakeup Oscillator, with Automatic Calibration against a Precise Clock
- Internal 20 MHz RC Oscillator, with Automatic Calibration against a Precise Clock for Flexible System Clocking
- Low Frequency Tuning Fork Crystal Oscillator for Accurate Low Power Time Keeping
- Brown-out and Power-on-Reset Detection

High-performance RF Transmitter compatible to AX5031

- 400 – 470 MHz and 800 – 940 MHz SRD Bands
- –5 dBm to +15 dBm Programmable Output
- 13 mA @ 0 dBm, 868 MHz
- 22 mA @ 10 dBm, 868 Mhz

AX8052F131

- 44 mA @ 15 dBm, 868 Mhz
- Wide Variety of Shaped Modulations Supported (ASK, PSK, OQPSK, MSK, FSK, GFSK, 4-FSK)
- Flexible Shaping for the Modulations
- Data Rates
 - ◆ 1 to 350 kbps for FSK, MSK
 - ◆ 1 to 2000 kbps for ASK
 - ◆ 10 to 2000 kbps for PSK
- Fully Integrated RF Frequency Synthesizer with Ultra-fast Settling Time for Low-power Consumption
- RF Carrier Frequency and FSK Deviation Programmable in 1Hz Steps
- 802.15.4 Compatible
- Few External Components
- Channel Hopping up to 2000 hops/s
- Up to +16 dBm at 433 MHz Programmable Transmitter Power Amplifier for Long Range Operation
- Crystal Oscillator with Programmable Transconductance and Programmable Internal Tuning Capacitors for Low Cost Crystals
- Differential Antenna Pins
- Dual Frequency Registers
- Internally Generated Coding for Forward Vitebri Error Correction

- Software Compatible to AX5031

Applications

400 – 470 MHz and 800 – 940 MHz Data Transmission in the Short Range Devices (SRD) Band

- Suited for Systems targeting Compliance to EN 300 220 Wide Band, FCC Part 15.247 and FCC Part 15.249
- Suited for Systems targeting Compliance with Wireless M-Bus S/T Mode
- 802.15.4 Compatible
- Telemetric Applications, Sensor Readout
- Toys
- Wireless Audio
- Automatic Meter Reading
- Wireless Networks
- Remote Keyless Entry
- Access Control
- Garage Door Openers
- Home Automation
- Pointing Devices and Keyboards
- Active RFID

AX8052F131

BLOCK DIAGRAM

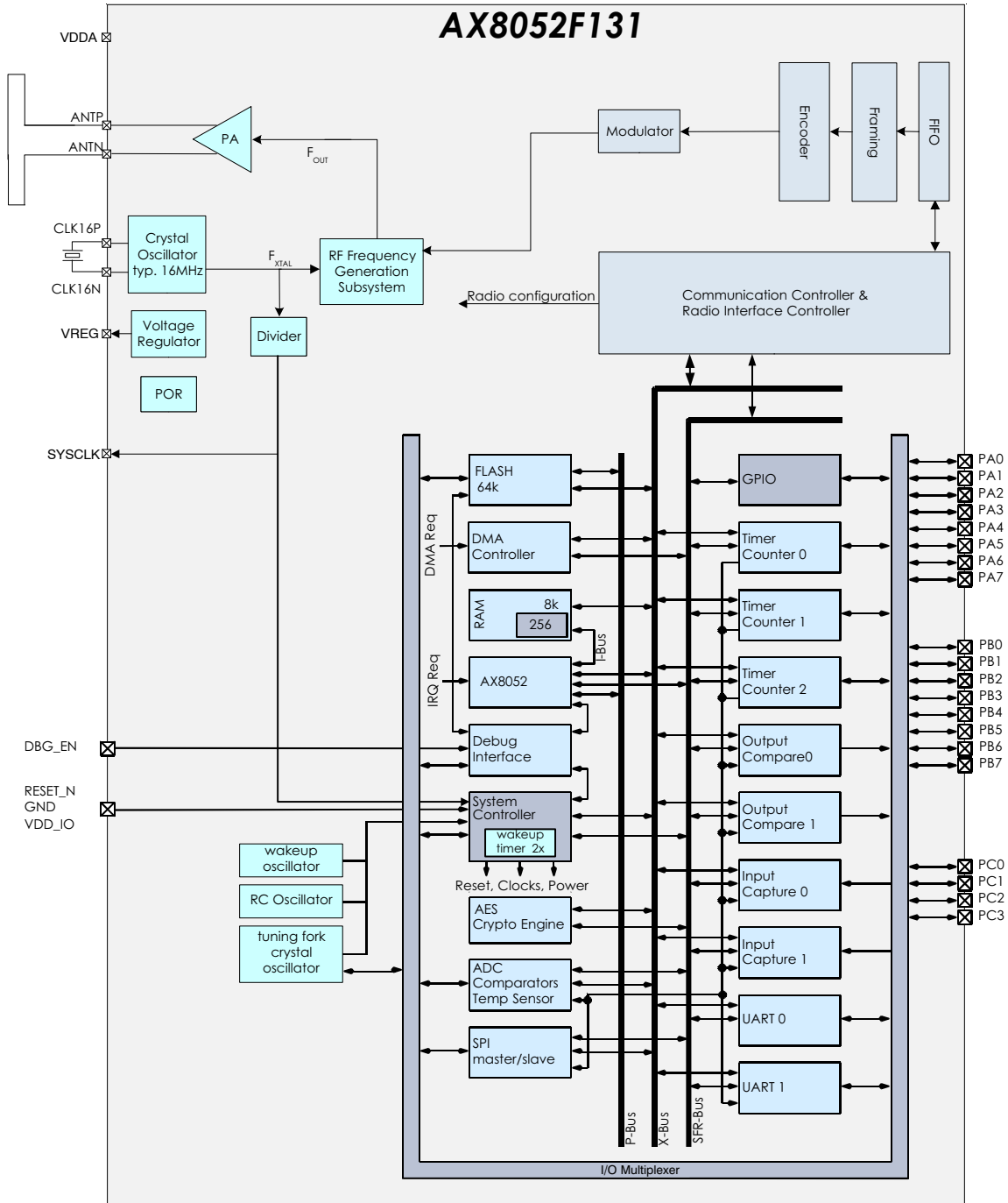


Figure 1. Functional Block Diagram of the AX8052F131

AX8052F131

Table 1. PIN FUNCTION DESCRIPTIONS

| Symbol | Pin(s) | Type | Description |
|---------|--------|----------|--|
| CLK16P | 1 | A | Crystal oscillator input/output (RF reference) |
| CLK16N | 2 | A | Crystal oscillator input/output (RF reference) |
| VDDA | 3 | P | Power supply, must be supplied with regulated voltage VREG |
| GND | 4 | P | Ground |
| ANTP | 5 | A | Antenna output |
| ANTN | 6 | A | Antenna output |
| GND | 7 | P | Ground |
| VDDA | 8 | P | Power supply, must be supplied with regulated voltage VREG |
| SYSCLK | 9 | I/O/PU | Must be connected to SYSCLK at pin 13 |
| T1 | 10 | I/O/PU | Must be connected to T1 at pin 12 |
| T2 | 11 | I/O/PU | Must be left unconnected |
| T1 | 12 | I/O/PU | Must be connected to T1 at pin 10 |
| SYSCLK | 13 | I/O/PU | Must be connected to SYSCLK at pin 9 |
| PC3 | 14 | I/O/PU | General Purpose IO |
| PC2 | 15 | I/O/PU | General Purpose IO |
| PC1 | 16 | I/O/PU | General Purpose IO |
| PC0 | 17 | I/O/PU | General Purpose IO |
| PB0 | 18 | I/O/PU | General Purpose IO |
| PB1 | 19 | I/O/PU | General Purpose IO |
| PB2 | 20 | I/O/PU | General Purpose IO |
| PB3 | 21 | I/O/PU | General Purpose IO |
| PB4 | 22 | I/O/PU | General Purpose IO |
| PB5 | 23 | I/O/PU | General Purpose IO |
| PB6 | 24 | I/O/PU | General Purpose IO, DBG_DATA |
| PB7 | 25 | I/O/PU | General Purpose IO, DBG_CLK |
| DBG_EN | 26 | I/PD | In-Circuit Debugger Enable |
| RESET_N | 27 | I/PU | Optional reset pin If this pin is not used it must be connected to VDD_IO |
| GND | 28 | P | Ground |
| VDD_IO | 29 | P | Unregulated power supply (battery input) |
| PA0 | 30 | I/O/A/PU | General Purpose IO |
| PA1 | 31 | I/O/A/PU | General Purpose IO |
| PA2 | 32 | I/O/A/PU | General Purpose IO |
| PA3 | 33 | I/O/A/PU | General Purpose IO |
| PA4 | 34 | I/O/A/PU | General Purpose IO |
| PA5 | 35 | I/O/A/PU | General Purpose IO |
| PA6 | 36 | I/O/A/PU | General Purpose IO |
| PA7 | 37 | I/O/A/PU | General Purpose IO |
| PC7 | 38 | I/O/PU | General Purpose IO |
| VREG | 39 | P | Regulated output voltage VDDA pins must be connected to this supply voltage A 1 μ F low ESR capacitor to GND must be connected to this pin |

AX8052F131

Table 1. PIN FUNCTION DESCRIPTIONS

| Symbol | Pin(s) | Type | Description |
|--------|------------|------|--|
| GND | 40 | P | Ground |
| GND | Center pad | P | Ground on center pad of QFN, must be connected |

A = analog input
 I = digital input signal
 O = digital output signal
 PU = pull-up
 I/O = digital input/output signal
 N = not to be connected
 P = power or ground
 PD = pull-down

All digital inputs are Schmitt trigger inputs, digital input and output levels are LVCMOS/LVTTL compatible. Port A Pins (PA0 – PA7) must not be driven above VDD_IO, all other digital inputs are 5 V tolerant. Pull-ups are programmable for all GPIO pins.

Alternate Pin Functions

GPIO Pins are shared with dedicated Input/Output signals of on-chip peripherals. The following table lists the available functions on each GPIO pin.

Table 2. ALTERNATE PIN FUNCTIONS

| GPIO | Alternate Functions | | | |
|------|---------------------|---------|---------|---------|
| PA0 | T0OUT | IC1 | ADC0 | |
| PA1 | T0CLK | OC1 | ADC1 | |
| PA2 | OC0 | U1RX | ADC2 | COMPI00 |
| PA3 | T1OUT | | ADC3 | LPXTALP |
| PA4 | T1CLK | COMPO0 | ADC4 | LPXTALN |
| PA5 | IC0 | U1TX | ADC5 | COMPI10 |
| PA6 | T2OUT | ADCTRIG | ADC6 | COMPI01 |
| PA7 | T2CLK | COMPO1 | ADC7 | COMPI11 |
| PB0 | U1TX | IC1 | EXTIRQ0 | |
| PB1 | U1RX | OC1 | | |
| PB2 | IC0 | T2OUT | | |
| PB3 | OC0 | T2CLK | EXTIRQ1 | DSWAKE |
| PB4 | U0TX | T1CLK | | |
| PB5 | U0RX | T1OUT | | |
| PB6 | DBG_DATA | | | |
| PB7 | DBG_CLK | | | |
| PC0 | SSEL | T0OUT | EXTIRQ0 | |
| PC1 | SSCK | T0CLK | COMPO1 | |
| PC2 | SMOSI | U0TX | | |
| PC3 | SMISO | U0RX | COMPO0 | |
| PC7 | RPWRUP | | | |

AX8052F131

Pinout Drawing

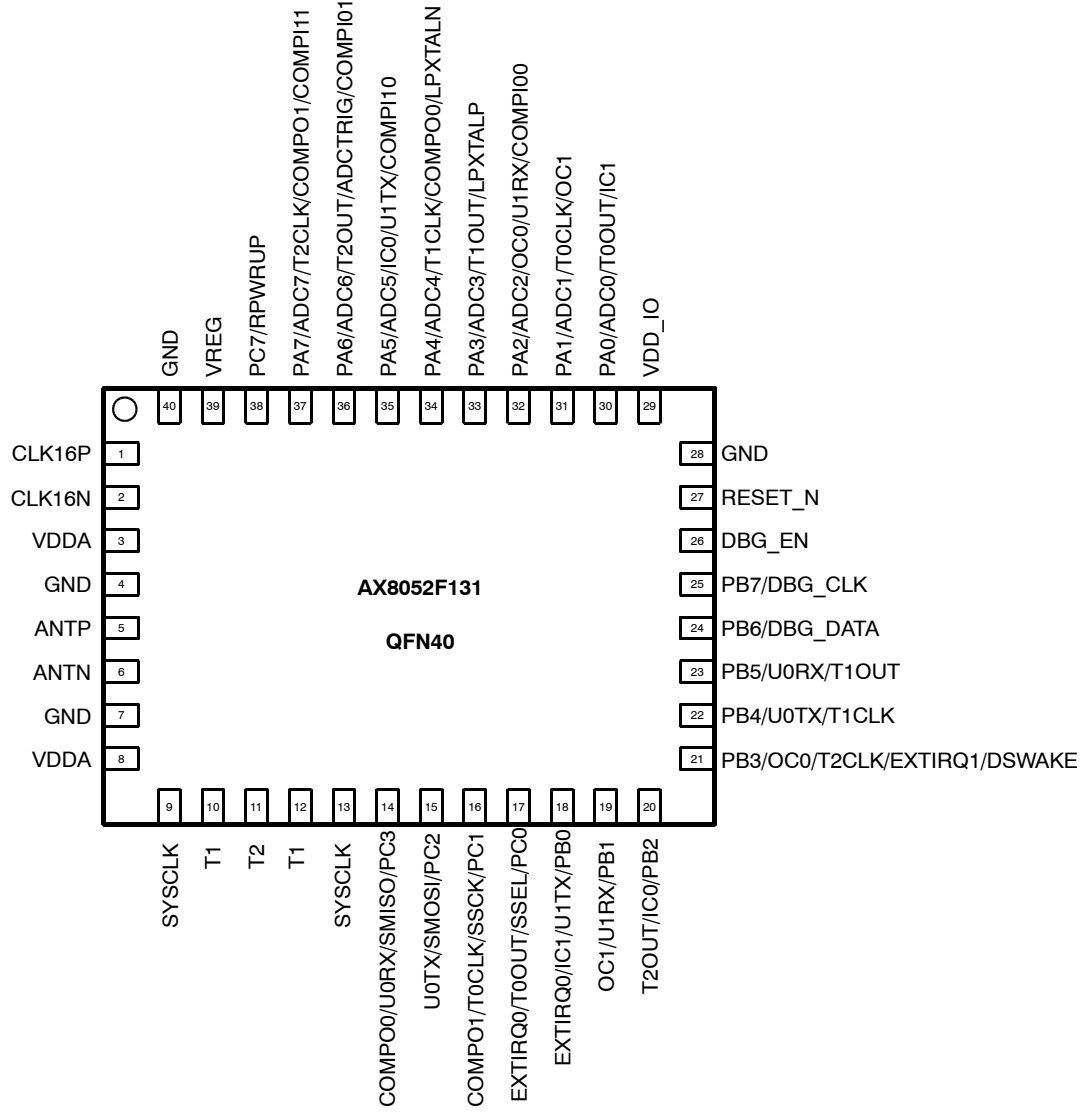


Figure 2. Pinout Drawing (Top View)

SPECIFICATIONS

Table 3. ABSOLUTE MAXIMUM RATINGS

| Symbol | Description | Condition | Min | Max | Units |
|------------------|---|-----------|-------|------|-------|
| VDD_IO | Supply voltage | | -0.5 | 5.5 | V |
| IDD | Supply current | | | 100 | mA |
| P _{tot} | Total power consumption | | | 800 | mW |
| I _{I1} | DC current into any pin except ANTP, ANTN | | -10 | 10 | mA |
| I _{I2} | DC current into pins ANTP, ANTN | | -100 | 100 | mA |
| I _O | Output Current | | | 40 | mA |
| V _{ia} | Input voltage ANTP, ANTN pins | | -0.5 | 5.5 | V |
| | Input voltage digital pins | | -0.5 | 5.5 | V |
| V _{es} | Electrostatic handling | HBM | -2000 | 2000 | V |
| T _{amb} | Operating temperature | | -40 | 85 | °C |
| T _{stg} | Storage temperature | | -65 | 150 | °C |
| T _j | Junction Temperature | | | 150 | °C |

Stresses exceeding those listed in the Maximum Ratings table may damage the device. If any of these limits are exceeded, device functionality should not be assumed, damage may occur and reliability may be affected.

1. Exposure to absolute maximum rating conditions for extended periods may affect device reliability.

DC Characteristics

Table 4. SUPPLIES

| Symbol | Description | Condition | Min | Typ | Max | Units |
|--------------------------|---|---|-----|-----|-----|-------|
| T _{AMB} | Operational ambient temperature | | -40 | 27 | 85 | °C |
| VDD_IO | I/O and voltage regulator supply voltage | TX operation | 2.2 | 3.0 | 3.6 | V |
| | | Transmitter switched off | 1.8 | 3.0 | 3.6 | V |
| VDD _{IO_R1} | I/O voltage ramp for reset activation; Note 1 | Ramp starts at VDD_IO ≤ 0.1 V, starting with AX8052F143-3 this limitation to the VDD_IO ramp for reset activation is no longer necessary. | 0.1 | | | V/ms |
| VDD _{IO_R2} | I/O voltage ramp for reset activation; Note 1 | Ramp starts at 0.1 V < VDD_IO < 0.7 V, starting with AX8052F143-3 this limitation to the VDD_IO ramp for reset activation is no longer necessary. | 3.3 | | | V/ms |
| VREG | Internally regulated analog supply voltage | Power-down mode AX5031_PWRMODE = 0x00 | | 1.7 | | V |
| | | All other power modes | 2.1 | 2.5 | 2.8 | V |
| I _{DEEPSLEEP} | Deep Sleep current | | | 250 | | nA |
| I _{SLEEP256PIN} | Sleep current, 256 Bytes RAM retained | Wakeup from dedicated pin | | 700 | | nA |
| I _{SLEEP256} | Sleep current, 256 Bytes RAM retained | Wakeup Timer running at 640 Hz | | 1.1 | | µA |
| I _{SLEEP4K} | Sleep current, 4.25 kBytes RAM retained | Wakeup Timer running at 640 Hz | | 1.7 | | µA |
| I _{SLEEP8K} | Sleep current, 8.25 kBytes RAM retained | Wakeup Timer running at 640 Hz | | 2.4 | | µA |

1. If VDD_IO ramps cannot be guaranteed, an external reset circuit is recommended for AX8052F131-2 and AX8052F131-2, see the AX8052 Application Note: Power On Reset
2. The PA voltage is regulated to 2.5 V. For VDD_IO levels in the range of 2.2 V to 2.5 V the output power drops by typically 1 dBm.

Table 4. SUPPLIES

| Symbol | Description | Condition | Min | Typ | Max | Units |
|------------------------|--|--------------------------|-----|------|-----|------------|
| I _{TX} | Current consumption TX for maximum power with default matching network at 3.3 V VDD_IO, Note 2 | 868 MHz, 15 dBm | | 22 | | mA |
| | | 868 MHz, 0 dBm | | 13 | | |
| | | 868 MHz, 15 dBm | | 45 | | |
| | | 433 MHz, 10 dBm | | 22 | | |
| | | 433 MHz, 0 dBm | | 13 | | |
| | | 433 MHz, 15 dBm | | 45 | | |
| TX _{varvdd} | Variation of output power over voltage | VDD_IO > 2.5 V, Note 2 | | ±0.5 | | dB |
| TX _{vartemp} | Variation of output power over temperature | VDD_IO > 2.5 V, Note 2 | | ±0.5 | | dB |
| I _{MCU} | Microcontroller running power consumption | All peripherals disabled | | 150 | | μA/ MHz |
| I _{VSUP} | Voltage supervisor | Run and standby mode | | 85 | | μA |
| I _{XTALOSC} | Crystal oscillator current (RF reference oscillator) | 16 MHz | | 160 | | μA |
| I _{LFXTALOSC} | Low frequency crystal oscillator current | 32 kHz | | 700 | | nA |
| I _{RCOSC} | Internal oscillator current | 20 MHz | | 210 | | μA |
| I _{LPOSC} | Internal Low Power Oscillator current | 10 kHz | | 650 | | nA |
| | | 640 Hz | | 210 | | nA |
| I _{ADC} | ADC current | 311 kSample/s, DMA 5 MHz | | 1.1 | | mA |

1. If VDD_IO ramps cannot be guaranteed, an external reset circuit is recommended for AX8052F131-2 and AX8052F131-2, see the AX8052 Application Note: Power On Reset
2. The PA voltage is regulated to 2.5 V. For VDD_IO levels in the range of 2.2 V to 2.55 V the output power drops by typically 1 dBm.

Note on current consumption in TX mode

To achieve best output power the matching network has to be optimized for the desired output power and frequency. As a rule of thumb a good matching network produces about 50% efficiency with the AX8052F131 power amplifier although over 90% are theoretically possible. A typical matching network has between 1 dB and 2 dB loss (P_{loss}).

The current consumption can be calculated as

$$I_{TX}[mA] = \frac{1}{PA_{efficiency}} \times 10^{\frac{P_{out}[dBm] + P_{loss}[dB]}{10}} \div 2.5V + I_{offset}$$

I_{offset} is about 12 mA for the VCO at 400 – 470 MHz and 11 mA for 800 – 940 MHz. The following table shows calculated current consumptions versus output power for P_{loss} = 1 dB, PA_{efficiency} = 0.5 and I_{offset} = 11 mA at 868 MHz.

Table 5.

| Pout [dBm] | I [mA] |
|------------|--------|
| 0 | 13.0 |
| 1 | 13.2 |
| 2 | 13.6 |
| 3 | 14.0 |

| | |
|----|-------|
| 4 | 14.5 |
| 5 | 15.1 |
| 6 | 16.0 |
| 7 | 17.0 |
| 8 | 18.3 |
| 9 | 20.0 |
| 10 | 22.0 |
| 11 | 24.6 |
| 12 | 27.96 |
| 13 | 32.1 |
| 14 | 37.3 |
| 15 | 43.8 |

The AX8052F131 power amplifier runs from the regulated VDD supply and not directly from the battery. This has the advantage that the current and output power do not vary much over supply voltage and temperature from 2.55 V to 3.6 V supply voltage. Between 2.55 V and 2.2 V a drop of about 1 dB in output power occurs.

AX8052F131

Table 6. LOGIC

| Symbol | Description | Condition | Min | Typ | Max | Units |
|------------------------|---|-------------------------|------|------|--------|-------|
| Digital Inputs | | | | | | |
| V _{T+} | Schmitt trigger low to high threshold point | VDD_IO = 3.3 V | | 1.55 | | V |
| V _{T-} | Schmitt trigger high to low threshold point | | | 1.25 | | V |
| V _{IL} | Input voltage, low | | | | 0.8 | V |
| V _{IH} | Input voltage, high | | 2.0 | | | V |
| V _{IPA} | Input voltage range, Port A | | -0.5 | | VDD_IO | V |
| V _{IPBC} | Input voltage range, Ports B, C | | -0.5 | | 5.5 | V |
| I _L | Input leakage current | | -10 | | 10 | μA |
| R _{PU} | Programmable Pull-Up Resistance | | | 65 | | kΩ |
| Digital Outputs | | | | | | |
| I _{OH} | P[ABC]x Output Current, high | V _{OH} = 2.4 V | 8 | | | mA |
| I _{OL} | P[ABC]x Output Current, low | V _{OL} = 0.4 V | 8 | | | mA |
| I _{OH} | SYSCLK Output Current, high | V _{OH} = 2.4 V | 8 | | | mA |
| I _{OL} | SYSCLK Output Current, low | V _{OL} = 0.4 V | 8 | | | mA |
| I _{OZ} | Tri-state output leakage current | | -10 | | 10 | μA |

AC Characteristics

Table 7. CRYSTAL OSCILLATOR (RF REFERENCE OSCILLATOR)

| Symbol | Description | Condition | Min | Typ | Max | Units |
|------------------------------|--|---------------------------------|------|-----|-----|-------|
| f _{XTAL} | Crystal frequency | Notes 1, 3 | 15.5 | 16 | 25 | MHz |
| g _{m_{osc}} | Transconductance oscillator | AX5031_XTALOSCGM = 0000 | | 1 | | mS |
| | | AX5031_XTALOSCGM = 0001 | | 2 | | |
| | | AX5031_XTALOSCGM = 0010 default | | 3 | | |
| | | AX5031_XTALOSCGM = 0011 | | 4 | | |
| | | AX5031_XTALOSCGM = 0100 | | 5 | | |
| | | AX5031_XTALOSCGM = 0101 | | 6 | | |
| | | AX5031_XTALOSCGM = 0110 | | 6.5 | | |
| | | AX5031_XTALOSCGM = 0111 | | 7 | | |
| | | AX5031_XTALOSCGM = 1000 | | 7.5 | | |
| | | AX5031_XTALOSCGM = 1001 | | 8 | | |
| | | AX5031_XTALOSCGM = 1010 | | 8.5 | | |
| | | AX5031_XTALOSCGM = 1011 | | 9 | | |
| | | AX5031_XTALOSCGM = 1100 | | 9.5 | | |
| | | AX5031_XTALOSCGM = 1101 | | 10 | | |
| AX5031_XTALOSCGM = 1110 | | 10.5 | | | | |
| AX5031_XTALOSCGM = 1111 | | 11 | | | | |
| C _{osc} | Programmable tuning capacitors at pins CLK16N and CLK16P | AX5031_XTALCAP = 000000 default | | 2 | | pF |
| | | AX5031_XTALCAP = 111111 | | 33 | | |

AX8052F131

Table 7. CRYSTAL OSCILLATOR (RF REFERENCE OSCILLATOR)

| | | | | | | |
|---------------|---|------------|------|-----|-----|------------|
| $C_{osc-lsb}$ | Programmable tuning capacitors, increment per LSB of AX5031_XTALCAP | | | 0.5 | | pF |
| f_{ext} | External clock input (TCXO) | Notes 2, 3 | 15.5 | 15 | 25 | MHz |
| A_{osc} | Oscillator amplitude at pin CLK16P | | | | 0.5 | V |
| RIN_{osc} | Input DC impedance | | 10 | | | k Ω |

1. Tolerances and start-up times depend on the crystal used. Depending on the RF frequency and channel spacing the IC must be calibrated to the exact crystal frequency using the readings of the register AX5031_TRKFREQ.
2. If an external clock is used, it should be input via an AC coupling at pin CLK16P with the oscillator powered up and AX5031_XTALCAP = 000000
3. Lower frequencies than 15.5 MHz or higher frequencies than 25 MHz can be used. However, not all typical RF frequencies can then be generated.

AX8052F131

Table 8. RF FREQUENCY GENERATION SUBSYSTEM (SYNTHESIZER)

| Symbol | Description | Condition | Min | Typ | Max | Units |
|------------------------|---|--|-----|----------|-----|--------|
| f _{REF} | Reference frequency | Note 1 | | 16 24 | | MHz |
| f _{range_hi} | Frequency range | BANDSEL = 0 | 800 | | 940 | MHz |
| f _{range_low} | | BANDSEL = 1 | 400 | | 470 | |
| f _{RESO} | Frequency resolution | | 1 | | | Hz |
| BW ₁ | Synthesizer loop bandwidth VCO current: VCO_I = 001 | Loop filter configuration: FLT = 01 Charge pump current: PLLCPI = 010 | | 100 | | kHz |
| BW ₂ | | Loop filter configuration: FLT = 01 Charge pump current: PLLCPI = 001 | | 50 | | |
| BW ₃ | | Loop filter configuration: FLT = 11 Charge pump current: PLLCPI = 010 | | 200 | | |
| BW ₄ | | Loop filter configuration: FLT = 10 Charge pump current: PLLCPI = 010 | | 500 | | |
| T _{set1} | Synthesizer settling time for 1 MHz step VCO current: VCO_I = 001 | Loop filter configuration: FLT = 01 Charge pump current: PLLCPI = 010 | | 15 | | μs |
| T _{set2} | | Loop filter configuration: FLT = 01 Charge pump current: PLLCPI = 001 | | 30 | | |
| T _{set3} | | Loop filter configuration: FLT = 11 Charge pump current: PLLCPI = 010 | | 7 | | |
| T _{set4} | | Loop filter configuration: FLT = 10 Charge pump current: PLLCPI = 010 | | 3 | | |
| T _{start1} | Synthesizer start-up time if crystal oscillator and refer- ence are running VCO current: VCO_I = 001 | Loop filter configuration: FLT = 01 Charge pump current: PLLCPI = 010 | | 25 | | μs |
| T _{start2} | | Loop filter configuration: FLT = 01 Charge pump current: PLLCPI = 001 | | 50 | | |
| T _{start3} | | Loop filter configuration: FLT = 11 Charge pump current: PLLCPI = 010 | | 12 | | |
| T _{start4} | | Loop filter configuration: FLT = 10 Charge pump current: PLLCPI = 010 | | 5 | | |
| PN868 ₁ | Synthesizer phase noise Loop filter configuration: FLT = 01 Charge pump current: PLL- CPI = 010 VCO current: VCO_I = 001 | 868 MHz, 50 kHz from carrier | | -85 | | dBc/Hz |
| | | 868 MHz, 100 kHz from carrier | | -90 | | |
| | | 868 MHz, 300 kHz from carrier | | -100 | | |
| | | 868 MHz, 2 MHz from carrier | | -110 | | |
| PN433 ₁ | Synthesizer phase noise Loop filter configuration: FLT = 01 Charge pump current: PLL- CPI = 010 VCO current: VCO_I = 001 | 433 MHz, 50 kHz from carrier | | -90 | | dBc/Hz |
| | | 433 MHz, 100 kHz from carrier | | -95 | | |
| | | 433 MHz, 300 kHz from carrier | | -105 | | |
| | | 433 MHz, 2 MHz from carrier | | -115 | | |
| PN868 ₂ | Synthesizer phase noise Loop filter configuration: FLT = 01 Charge pump current: PLL- CPI = 001 VCO current: VCO_I = 001 | 868 MHz, 50 kHz from carrier | | -80 | | dBc/Hz |
| | | 868 MHz, 100 kHz from carrier | | -90 | | |
| | | 868 MHz, 300 kHz from carrier | | -105 | | |
| | | 868 MHz, 2 MHz from carrier | | -115 | | |
| PN433 ₂ | Synthesizer phase noise Loop filter configuration: FLT = 01 Charge pump current: PLL- CPI = 001 VCO current: VCO_I = 001 | 433 MHz, 50 kHz from carrier | | -90 | | dBc/Hz |
| | | 433 MHz, 100 kHz from carrier | | -95 | | |
| | | 433 MHz, 300 kHz from carrier | | -110 | | |
| | | 433 MHz, 2 MHz from carrier | | -122 | | |

1. ASK, PSK and 1–200 kbps FSK with 16 MHz crystal, 200–350 kbps FSK with 24 MHz crystal.

AX8052F131

Table 9. TRANSMITTER

| Symbol | Description | Condition | Min | Typ | Max | Units |
|--------------------------|-------------------------------------|--------------------------------|-----|-----|------|-------|
| SBR | Signal bit rate | ASK | 1 | | 2000 | kbps |
| | | PSK | 10 | | 2000 | |
| | | FSK, (Note 2) | 1 | | 350 | |
| | | 802.15.4 (DSSS) ASK and PSK | 1 | | 40 | |
| | | 802.15.4 (DSSS) FSK | 1 | | 16 | |
| PTX ₈₆₈ | Transmitter power @ 868 MHz | TXRNG = 1111 | | 15 | | dBm |
| PTX ₄₃₃ | Transmitter power @ 433 MHz | TXRNG = 1111 | | 16 | | dBm |
| PTX _{868-harm2} | Emission @ 2 nd harmonic | (Note 1) | | -50 | | dBc |
| PTX _{868-harm3} | Emission @ 3 rd harmonic | | | -55 | | |

1. Additional low-pass filtering was applied to the antenna interface, see applications section.
2. 1 – 200 kbps with a 16 MHz crystal, 200 – 350 kbps with 24 MHz crystal

Table 10. LOW FREQUENCY CRYSTAL OSCILLATOR

| Symbol | Description | Condition | Min | Typ | Max | Units |
|-----------------------|-----------------------------|------------------|-----|-----|-----|-------|
| f _{LPXTAL} | Crystal frequency | | | 32 | 150 | kHz |
| gm _{lpxosc} | Transconductance oscillator | LPXOSCGM = 00110 | | 3.5 | | μs |
| | | LPXOSCGM = 01000 | | 4.6 | | |
| | | LPXOSCGM = 01100 | | 6.9 | | |
| | | LPXOSCGM = 10000 | | 9.1 | | |
| RIN _{lpxosc} | Input DC impedance | | 10 | | | MΩ |

Table 11. INTERNAL LOW POWER OSCILLATOR

| Symbol | Description | Condition | Min | Typ | Max | Units |
|--------------------|-----------------------|---|-------|-------|-------|-------|
| f _{LPOSC} | Oscillation Frequency | LPOSCFAST = 0 Factory calibration applied. Over the full temperature and voltage range | 630 | 640 | 650 | Hz |
| | | LPOSCFAST = 1 Factory calibration applied. Over the full temperature and voltage range | 10.08 | 10.24 | 10.39 | kHz |

Table 12. INTERNAL RC OSCILLATOR

| Symbol | Description | Condition | Min | Typ | Max | Units |
|--------------------|-----------------------|--|------|-----|------|-------|
| f _{FROSC} | Oscillation Frequency | Factory calibration applied. Over the full temperature and voltage range | 19.8 | 20 | 20.2 | MHz |

Table 13. MICROCONTROLLER

| Symbol | Description | Condition | Min | Typ | Max | Units |
|-----------------------|-------------------------------|--|--------|---------|-----|--------|
| T _{SYCLKL} | SYCLK Low | | 27 | | | ns |
| T _{SYCLKH} | SYCLK High | | 21 | | | ns |
| T _{SYCLKP} | SYCLK Period | | 47 | | | ns |
| T _{FLWR} | FLASH Write Time | 2 Bytes | | 20 | | μs |
| T _{FLPE} | FLASH Page Erase | 1 kBytes | | 2 | | ms |
| T _{FLE} | FLASH Secure Erase | 64 kBytes | | 10 | | ms |
| T _{FLEND} | FLASH Endurance: Erase Cycles | | 10 000 | 100 000 | | Cycles |
| T _{FLRERoom} | FLASH Data Retention | 25°C See Figure 3 for the lower limit set by the memory qualification | 100 | | | Years |
| T _{FLREHot} | | 85°C See Figure 3 for the lower limit set by the memory qualification | 10 | | | |

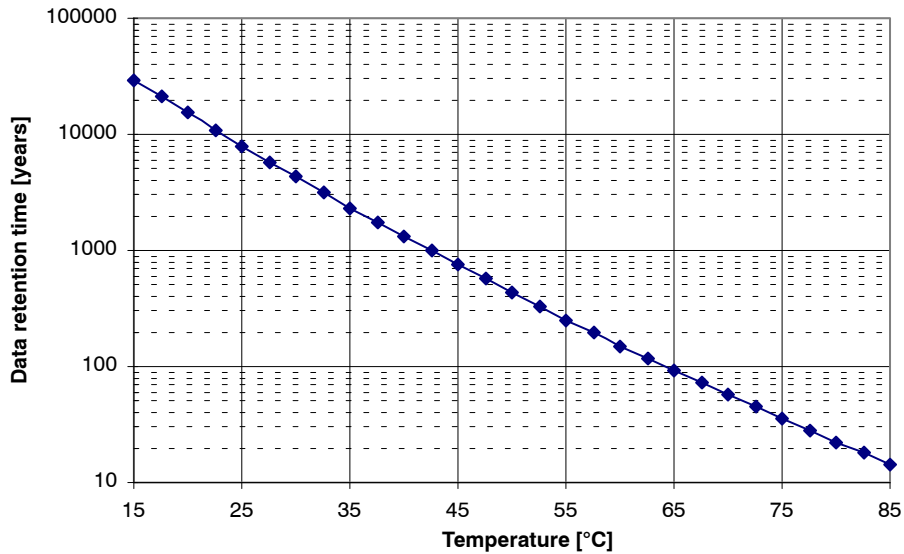


Figure 3. FLASH Memory Qualification Limit for Data Retention after 10k Erase Cycles

Table 14. ADC / COMPARATOR / TEMPERATURE SENSOR

| Symbol | Description | Condition | Min | Typ | Max | Units |
|---------------------|---|-----------|------|------|------|-------|
| ADCSR | ADC sampling rate GPADC mode | | 30 | | 500 | kHz |
| ADCSR_T | ADC sampling rate temperature sensor mode | | 10 | 15.6 | 30 | kHz |
| ADCRES | ADC resolution | | | 10 | | Bits |
| V _{ADCREf} | ADC reference voltage & comparator internal reference voltage | | 0.95 | 1 | 1.05 | V |
| Z _{ADC00} | Input capacitance | | | | 2.5 | pF |
| DNL | Differential nonlinearity | | | | ± 1 | LSB |
| INL | Integral nonlinearity | | | ± 1 | | LSB |
| OFF | Offset | | | 3 | | LSB |
| GAIN_ERR | Gain error | | | 0.8 | | % |

ADC in Differential Mode

| | | | | | | |
|------------------------|--|----------|------|--|--------|----|
| V _{ABS_DIFF} | Absolute voltages & common mode voltage in differential mode at each input | | 0 | | VDD_IO | V |
| V _{FS_DIFF01} | Full swing input for differential signals | Gain x1 | -500 | | 500 | mV |
| V _{FS_DIFF10} | | Gain x10 | -50 | | 50 | mV |

ADC in Single Ended Mode

| | | | | | | |
|----------------------|---|---------|---|-----|--------|---|
| V _{MID_SE} | Mid code input voltage in single ended mode | | | 0.5 | | V |
| V _{IN_SE00} | Input voltage in single ended mode | | 0 | | VDD_IO | V |
| V _{FS_SE01} | Full swing input for single ended signals | Gain x1 | 0 | | 1 | V |

Comparators

| | | | | | | |
|-----------------------|-----------------------------------|--|---|--|--------------|----|
| V _{COMP_ABS} | Comparator absolute input voltage | | 0 | | VDD_IO | V |
| V _{COMP_COM} | Comparator input common mode | | 0 | | VDD_IO - 0.8 | V |
| V _{COMPOFF} | Comparator input offset voltage | | | | 20 | mV |

Temperature Sensor

| | | | | | | |
|----------------------|------------------------|-----------------------------|-----|--------|----|--------|
| T _{RNG} | Temperature range | | -40 | | 85 | °C |
| T _{RES} | Temperature resolution | | | 0.1607 | | °C/LSB |
| T _{ERR_CAL} | Temperature error | Factory calibration applied | -2 | | 2 | °C |

CIRCUIT DESCRIPTION

The AX8052F131 is a single chip ultra-low-power RF-microcontroller SoC primarily for use in SRD bands. The on-chip transmitter consists of a fully integrated RF front-end with modulator, and demodulator. Base band data processing is implemented in an advanced and flexible communication controller that enables user friendly communication.

The AX8052F131 contains a high speed microcontroller compatible to the industry standard 8052 instruction set. It contains 64 kBytes of FLASH and 8.25 kBytes of internal SRAM.

The AX8052F131 features 3 16-bit general purpose timers with $\Sigma\Delta$ capability, 2 output compare units for generating PWM signals, 2 input compare units to record timings of external signals, 2 16-bit wakeup timers, a watchdog timer, 2 UARTs, a Master/Slave SPI controller, a 10-bit 500 kSample/s A/D converter, 2 analog comparators, a temperature sensor, a 2 channel DMA controller, and a dedicated AES crypto controller. Debugging is aided by a dedicated hardware debug interface controller that connects using a 3-wire protocol (1 dedicated wire, 2 shared with GPIO) to the PC hosting the debug software.

While the radio carrier can only be clocked by the crystal oscillator (carrier stability requirements dictate a high stability reference clock in the MHz range), the microcontroller and its peripherals provide extremely flexible clocking options. The system clock that clocks the microcontroller, as well as peripheral clocks, can be selected from one of the following clock sources: the crystal oscillator, an internal high speed 20 MHz oscillator, an internal low speed 640 Hz/10 kHz oscillator, or the low frequency crystal oscillator. Prescalers offer additional flexibility with their programmable divide by a power of two capability. To improve the accuracy of the internal oscillators, both oscillators may be slaved to the crystal oscillator.

AX8052F131 can be operated from a 2.2 V to 3.6 V power supply over a temperature range of -40°C to 85°C , it consumes 11 – 45 mA for transmitting, depending on the output power.

The AX8052F131 features make it an ideal interface for integration into various battery powered SRD solutions such as ticketing or as transmitter for telemetric applications e.g. in sensors. As primary application, the transmitter is intended for UHF radio equipment in accordance with the European Telecommunication Standard Institute (ETSI) specification EN 300 220-1 and the US Federal Communications Commission (FCC) standard CFR47, part 15. The use of AX8052F131 in accordance to FCC Par 15.247, allows for improved range in the 915 MHz band. Additionally AX8052F131 is compatible with the low frequency standards of 802.15.4 (ZigBee) and suited for systems targeting compliance with Wireless M-Bus standard EN 13757-4:2005

The AX8052F131 sends data in frames. This standard operation mode is called Frame Mode. Pre and post ambles as well as checksums can be generated automatically.

AX8052F131 supports any data rate from 1 kbps to 350 kbps for FSK and MSK, from 1 kbps to 2000 kbps for ASK and from 10 kbps to 2000 kbps for PSK. To achieve optimum performance for specific data rates and modulation schemes several register settings to configure the AX8052F131 are necessary, they are outlined in the following, for details see the AX5031 Programming Manual.

Spreading is possible on all data rates and modulation schemes. The net transfer rate is reduced by a factor of 15 in this case. For ZigBee either 600 or 300 kbps modes have to be chosen.

The transmitter supports multi-channel operation for all data rates and modulation schemes.

Microcontroller

The AX8052 microcontroller core executes the industry standard 8052 instruction set. Unlike the original 8052, many instructions are executed in a single cycle. The system clock and thus the instruction rate can be programmed freely from DC to 20 MHz.

Memory Architecture

The AX8052 Microcontroller features the highest bandwidth memory architecture of its class. Figure 4 shows the memory architecture. Three bus masters may initiate bus cycles:

- The AX8052 Microcontroller Core
- The Direct Memory Access (DMA) Engine
- The Advanced Encryption Standard (AES) Engine

Bus targets include:

- Two individual 4 kBytes RAM blocks located in X address space, which can be simultaneously accessed and individually shut down or retained during sleep mode
- A 256 Byte RAM located in internal address space, which is always retained during sleep mode
- A 64 kBytes FLASH memory located in code space.
- Special Function Registers (SFR) located in internal address space accessible using direct address mode instructions
- Additional Registers located in X address space (X Registers)

The upper half of the FLASH memory may also be accessed through the X address space. This simplifies and makes the software more efficient by reducing the need for generic pointers.

NOTE: Generic pointers include, in addition to the address, an address space tag.

AX8052F131

SFR Registers are also accessible through X address space, enabling indirect access to SFR registers. This allows driver code for multiple identical peripherals (such as UARTs or Timers) to be shared.

The 4 word \times 16 bit fully associative cache and a pre-fetch controller hide the latency of the FLASH.

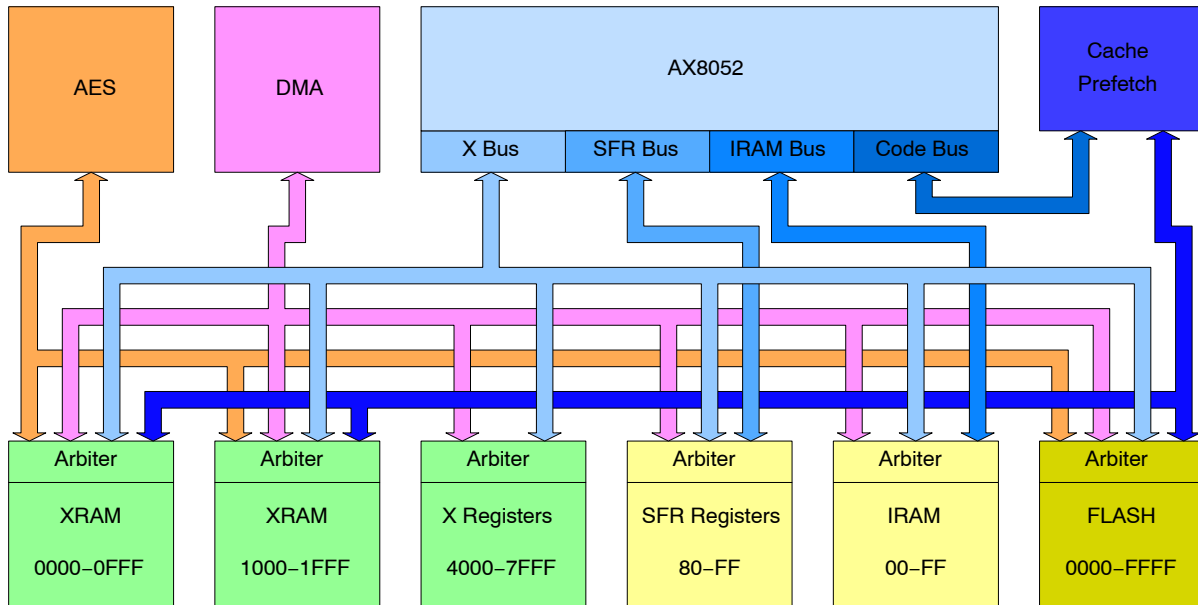


Figure 4. AX8052 Memory Architecture

The AX8052 Memory Architecture is fully parallel. All bus masters may simultaneously access different bus targets during each system clock cycle. Each bus target includes an arbiter that resolves access conflicts. Each arbiter ensures that no bus master can be starved.

Both 4 kBytes RAM blocks may be individually retained or switched off during sleep mode. The 256 Byte RAM is always retained during sleep mode.

The AES engine accesses memory 16 bits at a time. It is therefore slightly faster to align its buffers on even addresses.

Memory Map

The AX8052, like the other industry standard 8052 compatible microcontrollers, uses a Harvard architecture. Multiple address spaces are used to access code and data. Figure 5 shows the AX8052 memory map.

AX8052F131

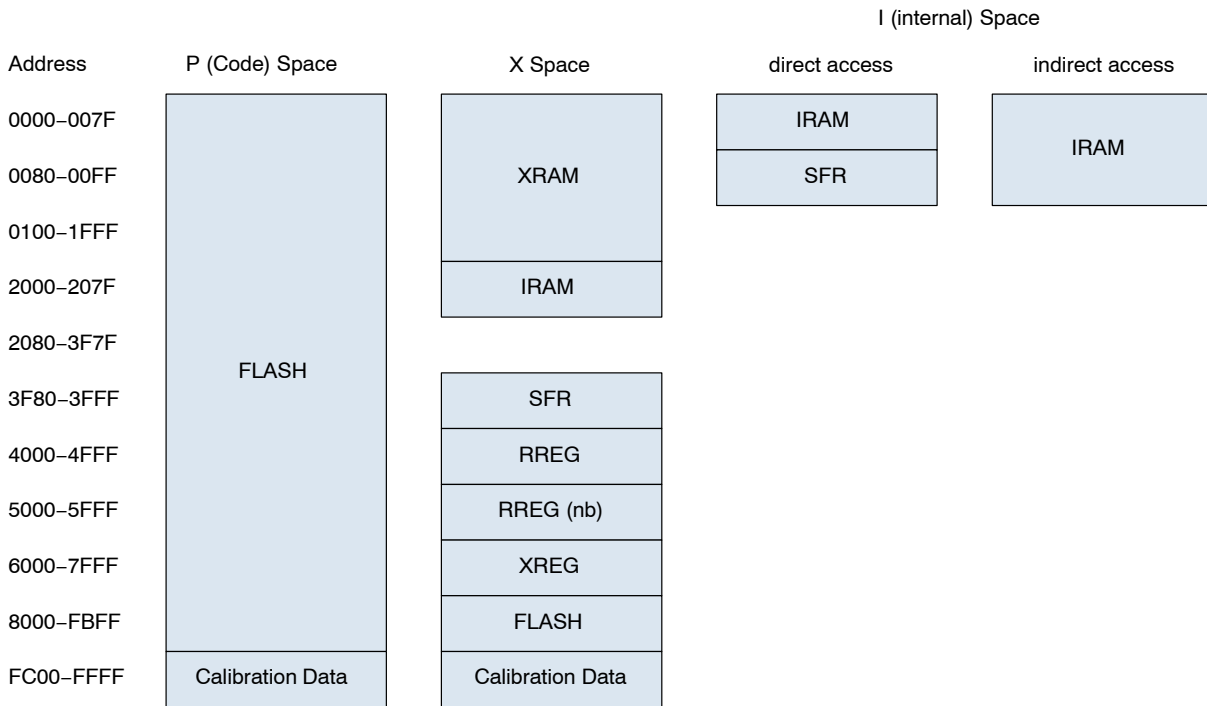


Figure 5. AX8052 Memory Map

The AX8052 uses P or Code Space to access its program. Code space may also be read using the MOVC instruction.

Smaller amounts of data can be placed in the Internal (see Note) or Data Space. A distinction is made in the upper half of the Data Space between direct accesses (MOV reg,addr; MOV addr,reg) and indirect accesses (MOV reg,@Ri; MOV @Ri,reg; PUSH; POP); Direct accesses are routed to the Special Function Registers, while indirect accesses are routed to the internal RAM.

NOTE: The origin of Internal versus External (X) Space is historical. External Space used to be outside of the chip on the original 8052 Microcontrollers.

Large amounts of data can be placed in the External or X Space. It can be accessed using the MOVX instructions. Special Function Registers, as well as additional Microcontroller Registers (XREG) and the Radio Registers (RREG) are also mapped into the X Space.

Detailed documentation of the Special Function Registers (SFR) and additional Microcontroller Registers can be found in the AX8052 Programming Manual.

The Radio Registers are documented in the AX5031 Programming Manual. Register Addresses given in the

AX5031 Programming Manual are relative to the beginning of RREG, i.e. 0x4000 must be added to these addresses. It is recommended that the provided AX8052F131.h header file is used; Radio Registers are prefixed with AX5031_ in the AX8052F131.h header file to avoid clashes of same-name Radio Registers with AX8052 registers.

Normally, accessing Radio Registers through the RREG address range is adequate. Since Radio Register accesses have a higher latency than other AX8052 registers, the AX8052 provides a method for non-blocking access to the Radio Registers. Accessing the RREG (nb) address range initiates a Radio Register access, but does not wait for its completion. The details of mechanism is documented in the Radio Interface section of the AX8052 Programming Manual.

The FLASH memory is organized as 64 pages of 1 kBytes each. Each page can be individually erased. The write word size is 16 Bits. The last 1 kByte page is dedicated to factory calibration data and should not be overwritten.

Power Management

The microcontroller power mode can be selected independently from the transmitter. The microcontroller supports the following power modes:

Table 15. POWER MANAGEMENT

| PCON register | Name | Description |
|---------------|-----------|---|
| 00 | RUNNING | The microcontroller and all peripherals are running. Current consumption depends on the system clock frequency and the enabled peripherals and their clock frequency. |
| 01 | STANDBY | The microcontroller is stopped. All register and memory contents are retained. All peripherals continue to function normally. Current consumption is determined by the enabled peripherals. STANDBY is exited when any of the enabled interrupts become active. |
| 10 | SLEEP | The microcontroller and its peripherals, except GPIO and the system controller, are shut down. Their register settings are lost. The internal RAM is retained. The external RAM is split into two 4 kByte blocks. Software can determine individually for both blocks whether contents of that block are to be retained or lost. SLEEP can be exited by any of the enabled GPIO or system controller interrupts. For most applications this will be a GPIO or wakeup timer interrupt. |
| 11 | DEEPSLEEP | The microcontroller, all peripherals and the transceiver are shut down. Only 4 bytes of scratch RAM are retained. DEEPSLEEP can only be exited by tying the PB3 pin low. |

Clocking

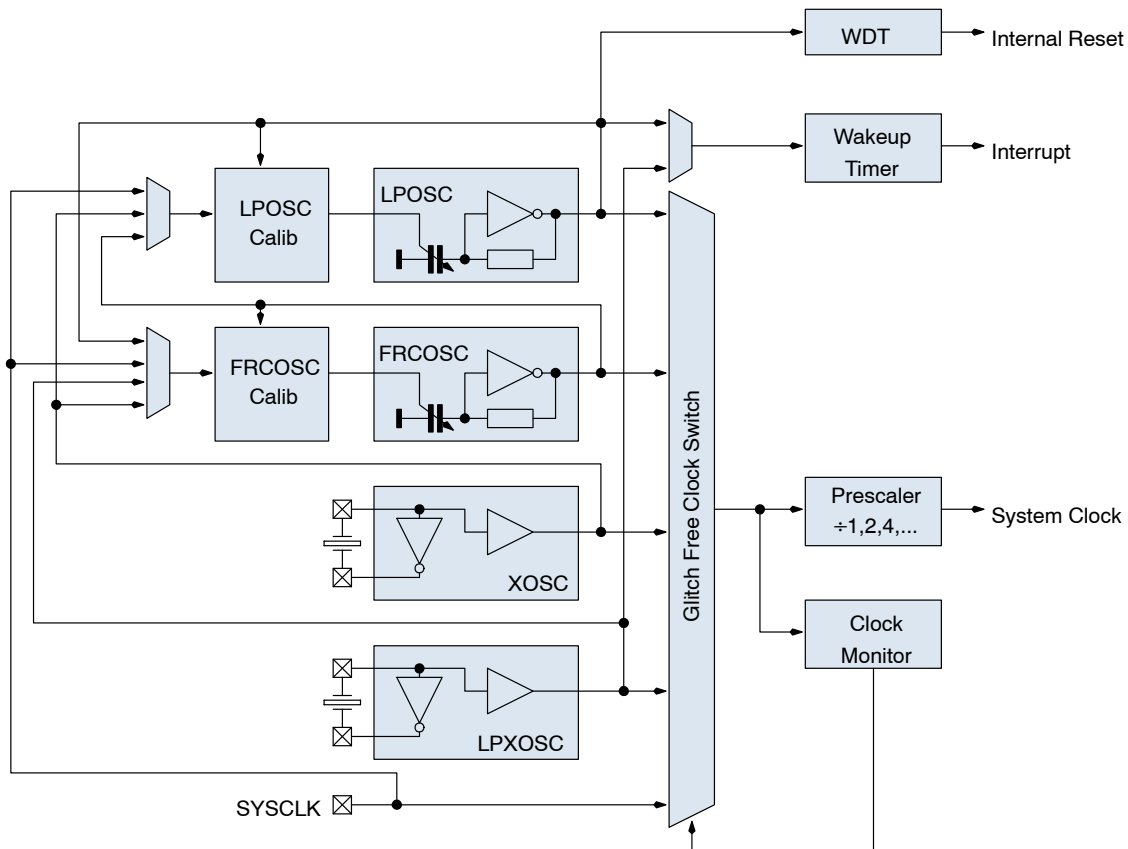


Figure 6. Clock System Diagram

The system clock can be derived from any of the following clock sources:

- The crystal oscillator (RF reference oscillator, typically 16 MHz, via SYSCLK)
- The low speed crystal oscillator (typical 32 kHz tuning fork)
- The internal high speed RC (20 MHz) oscillator
- The internal low power (640 Hz/10 kHz) oscillator

An additional pre-scaler allows the selected oscillator to be divided by a power of two. After reset, the microcontroller starts with the internal high speed RC oscillator selected and divided by two. I.e. at start-up, the microcontroller runs with 10 MHz ± 10%. Clocks may be switched any time by writing to the CLKCON register. In order to prevent clock glitches, the switching takes approximately $2 \cdot (T_1 + T_2)$, where T_1 and T_2 are the periods

of the old and the new clock. Switching may take longer if the new oscillator first has to start up. Internal oscillators start up instantaneously, but crystal oscillators may take a considerable amount of time to start the oscillation. CLKSTAT can be read to determine the clock switching status.

A programmable clock monitor resets the CLKCON register when no system clock transitions are found during a programmable time interval, thus reverts to the internal RC oscillator.

Both internal oscillators can be slaved to one of the crystal oscillators to increase the accuracy of the oscillation frequency. While the reference oscillator runs, the internal oscillator is slaved to the reference frequency by a digital frequency locked loop. When the reference oscillator is switched off, the internal oscillator continues to run unslaved with the last frequency setting.

Reset and Interrupts

After reset, the microcontroller starts executing at address 0x0000. Several events can lead to resetting the microcontroller core:

- POR or hardware RESET_N pin activated and released
- Leaving SLEEP or DEEPSLEEP mode
- Watchdog Reset
- Software Reset

The reset cause can be determined by reading the PCON register.

The microcontroller supports 22 interrupt sources. Each interrupt can be individually enabled and can be programmed to have one of two possible priorities. The interrupt vectors are located at 0x0003, 0x000B, ..., 0x00AB.

Debugging

A hardware debug unit considerably eases debugging compared to other 8052 microcontrollers. It allows to reliably stop the microcontroller at breakpoints even if the stack is smashed. The debug unit communicates with the host PC running the debugger using a 3 wire interface. One wire is dedicated (DBG_EN), while two wires are shared with GPIO pins (PB6, PB7). When DBG_EN is driven high, PB6 and PB7 convert to debug interface pins and the GPIO functionality is no longer available. A pin emulation feature however allows bits PINB[7:6] to be set and PORTB[7:6] and DIRB[7:6] to be read by the debugger software. This allows for example switches or LEDs connected to the PB6, PB7 pins to be emulated in the debugger software whenever the debugger is active.

In order to protect the intellectual property of the firmware developer, the debug interface can be locked using a developer-selectable 64-bit key. The debug interface is then disabled and can only be enabled with the knowledge of this 64-bit key. Therefore, unauthorized persons cannot read the firmware through the debug interface, but debugging is still possible for authorized persons. Secure erase can be initiated

without key knowledge; secure erase ensures that the main FLASH array is completely erased before erasing the key, reverting the chip into factory state.

The DebugLink peripheral looks like a UART to the microcontroller, and allows exchange of data between the microcontroller and the host PC without disrupting program execution.

Timer, Output Compare and Input Capture

The AX8052F131 features three general purpose 16-bit timers. Each timer can be clocked by the system clock, any of the available oscillators, or a dedicated input pin. The timers also feature a programmable clock inversion, a programmable prescaler that can divide by powers of two, and an optional clock synchronization logic that synchronizes the clock to the system clock. All three counters are identical and feature four different counting modes, as well as a $\Sigma\Delta$ mode that can be used to output an analog value on a dedicated digital pin only employing a simple RC lowpass filter.

Two output compare units work in conjunction with one of the timers to generate PWM signals.

Two input capture units work in conjunction with one of the timers to measure transitions on an input signal.

For software timekeeping, two additional 16-bit wakeup timers with 4 16-bit event registers are provided, generating an interrupt on match events.

UART

The AX8052F131 features two universal asynchronous receiver transmitters. They use one of the timers as baud rate generator. Word length can be programmed from 5 to 9 bits.

SPI Master/Slave Controller

The AX8052F131 features a master/slave SPI controller. Both 3 and 4 wire SPI variants are supported. In master mode, any of the on-chip oscillators or the system clock may be selected as clock source. An additional prescaler with divide by two capability provides additional clocking flexibility. Shift direction, as well as clock phase and inversion, are programmable.

ADC, Analog Comparators and Temperature Sensor

The AX8052F131 features a 10-bit, 500 kSample/s Analog to Digital converter. Figure 7 shows the block diagram of the ADC. The ADC supports both single ended and differential measurements. It uses an internal reference of 1 V. $\times 1$, $\times 10$ and $\times 0.1$ gain modes are provided. The ADC may digitize signals on PA0...PA7, as well as VDD_IO and an internal temperature sensor. The user can define four channels which are then converted sequentially and stored in four separate result registers. Each channel configuration consists of the multiplexer and the gain setting.

The AX8052F131 contains an on-chip temperature sensor. Built-in calibration logic allows the temperature sensor to be calibrated in °C, °F or any other user defined temperature scale.

AX8052F131

The AX8052F131 also features two analog comparators. Each comparator can either compare two voltages on dedicated PA pins, or one voltage against the internal 1 V

reference. The comparator output can be routed to a dedicated digital output pin or can be read by software. The comparators are clocked with the system clock.

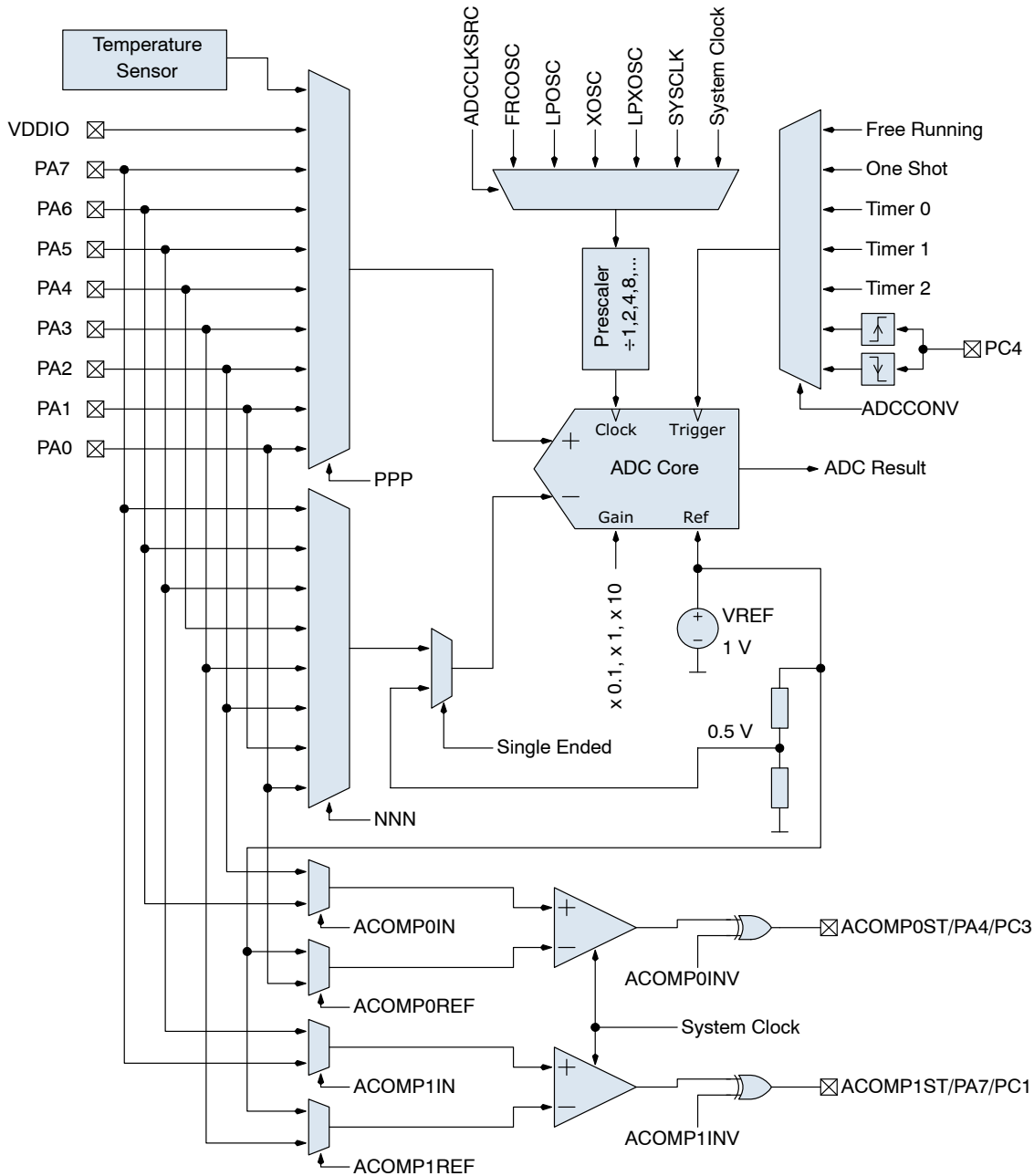


Figure 7. ADC Block Diagram

DMA Controller

The AX8052F131 features a dual channel DMA engine. Each DMA channel can either transfer data from XRAM to almost any peripheral on chip, or from almost any peripheral to XRAM. Both channels may also be cross-linked for memory-memory transfers. The DMA channels use buffer descriptors to find the buffers where data is to be retrieved or placed, thus enabling very flexible buffering strategies.

The DMA channels access XRAM in a cycle steal fashion. They access XRAM whenever XRAM is not used by the microcontroller. Their priority is lower than the microcontroller, thus interfering very little with the microcontroller. Additional logic prevents starvation of the DMA controller.

AES Engine

The AX8052F131 contains a dedicated engine for the government mandated Advanced Encryption Standard (AES). It features a dedicated DMA engine and reads input data as well as key stream data from the XRAM, and writes output data into a programmable buffer in the XRAM. The round number is programmable; the chip therefore supports AES-128, AES-192, and AES-256, as well as higher security proprietary variants. Keystream (key expansion) is performed in software, adding to the flexibility of the AES engine. ECB (electronic codebook), CFB (cipher feedback) and OFB (output feedback) modes are directly supported without software intervention.

Crystal Oscillator (RF Reference Oscillator)

The on-chip crystal oscillator allows the use of an inexpensive quartz crystal as the RF generation subsystem’s timing reference. Although a wider range of crystal frequencies can be handled by the crystal oscillator circuit, it is recommended to use 16 MHz as reference frequency for ASK and PSK modulations independent of the data rate. For FSK it is recommended to use a 16 MHz crystal for data rates below 200 kbps and 24 MHz for data rates above 200 kbps.

The oscillator circuit is enabled by programming the AX5031_PWRMODE register. At power-up it is not enabled.

To adjust the circuit’s characteristics to the quartz crystal being used, without using additional external components, both the transconductance and the tuning capacitance of the crystal oscillator can be programmed.

The transconductance is programmed via register bits XTALOSCGM[3:0] in register AX5031_XTALOSC.

The integrated programmable tuning capacitor bank makes it possible to connect the oscillator directly to pins CLK16N and CLK16P without the need for external capacitors. It is programmed using bits XTALCAP[5:0] in register AX5031_XTALCAP.

Alternatively a single ended reference (TCXO, CXO) may be used. The CMOS levels should be applied to CLK16P via an AC coupling with the crystal oscillator enabled.

SYSCLK Output

The SYSCLK pin outputs the RF reference clock signal divided by a programmable integer. Divisions from 1 to 2048 are possible. For divider ratios > 1 the duty cycle is 50%. Bits SYSCLK[3:0] in the AX5031_PINCFG1 register set the divider ratio. The SYSCLK output can be disabled.

Power-on-Reset (POR) and RESET_N Input

AX8052F131 has an integrated power-on-reset block which is edge sensitive to VDD_IO. For many common application cases no external reset circuitry is required. However, if VDD_IO ramps cannot be guaranteed, an

external reset circuit is recommended. For detailed recommendations and requirements see the AX8052 Application Note: Power On Reset.

After POR or reset all registers are set to their default values.

The RESET_N pin contains a weak pull-up. However, it is strongly recommended to connect the RESET_N pin to VDD_IO if not used, for additional robustness.

The AX8052F131 can be reset by software as well. The microcontroller is reset by writing 1 to the SWRESET bit of the PCON register. The transmitter can be reset by first writing 1 and then 0 to the RST bit in the AX5031_PWRMODE register.

Ports

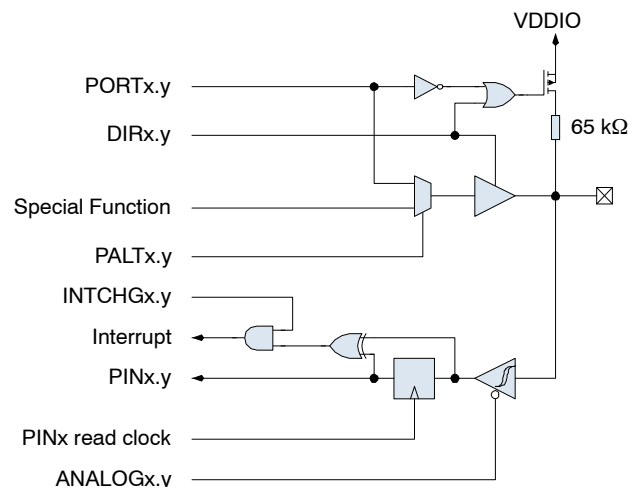


Figure 8. Port Pin Schematic

Figure 8 shows the GPIO logic. The DIR register bit determines whether the port pin acts as an output (1) or an input (0).

If configured as an output, the PALT register bit determines whether the port pin is connected to a peripheral output (1), or used as a GPIO pin (0). In the latter case, the PORT register bit determines the port pin drive value.

If configured as an input, the PORT register bit determines whether a pull-up resistor is enabled (1) or disabled (0). Inputs have Schmitt-trigger characteristic. Port A inputs may be disabled by setting the ANALOGA register bit; this prevents additional current consumption if the voltage level of the port pin is mid-way between logic low and logic high, when the pin is used as an analog input.

Port A, B and C pins may interrupt the microcontroller if their level changes. The INTCHG register bit enables the interrupt. The PIN register bit reflects the value of the port pin. Reading the PIN register also resets the interrupt if interrupt on change is enabled.

TRANSMITTER

The transmitter block is controllable through its registers, which are mapped into the X data space of the micro-controller. The transmitter block features its own 32 word × 10 bit FIFO. The microcontroller can either be interrupted at a programmable FIFO fill level, or one of the DMA channels can be instructed to transfer between XRAM and the transmitter FIFO.

RF Frequency Generation Subsystem

The RF frequency generation subsystem consists of a fully integrated synthesizer, which multiplies the reference frequency from the crystal oscillator to get the desired RF frequency. The advanced architecture of the synthesizer enables frequency resolutions of 1 Hz, as well as fast settling times of 5 – 50 μs depending on the settings (see section AC Characteristics). Fast settling times mean fast start-up, which enables low-power system design.

The frequency must be programmed to the desired carrier frequency.

The synthesizer loop bandwidth can be programmed, this serves three purposes:

1. Start-up time optimization, start-up is faster for higher synthesizer loop bandwidths
2. TX spectrum optimization, phase-noise at 300 kHz to 1 MHz distance from the carrier improves with lower synthesizer loop bandwidths
3. Adaptation of the bandwidth to the data-rate. For transmission of FSK and MSK it is required that the synthesizer bandwidth must be in the order of the data-rate.

VCO

An on-chip VCO converts the control voltage generated by the charge pump and loop filter into an output frequency. The frequency can be programmed in 1 Hz steps in the AX5031_FREQ registers. For operation in the 433 MHz band, the BANDSEL bit in the AX5031_PLLLOOP register must be programmed.

VCO Auto-Ranging

The AX8052F131 has an integrated auto-ranging function, which allows to set the correct VCO range for specific frequency generation subsystem settings automatically. Typically it has to be executed after power-up. The function is initiated by setting the RNG_START bit in the AX5031_PLLRANGING register. The bit is readable and a 0 indicates the end of the ranging process. The RNGERR bit indicates the correct execution of the auto-ranging.

Loop Filter and Charge Pump

The AX8052F131 internal loop filter configuration together with the charge pump current sets the synthesizer loop band width. The loop-filter has three configurations that can be programmed via the register bits FLT[1:0] in register AX5031_PLLLOOP, the charge pump current can be programmed using register bits PLLCPI[1:0] also in register AX5031_PLLLOOP. Synthesizer bandwidths are typically 50 – 500 kHz depending on the AX5031_PLLLOOP settings, for details see the section: AC Characteristics.

Registers

Table 16. REGISTERS

| Register | Bits | Purpose |
|-------------------|-------------|---|
| AX5031_PLLLOOP | FLT[1:0] | Synthesizer loop filter bandwidth, recommended usage is to increase the bandwidth for faster settling time, bandwidth increases of factor 2 and 5 are possible. |
| | PLLCPI[2:0] | Synthesizer charge pump current, recommended usage is to decrease the bandwidth (and improve the phase-noise) for low data-rate transmissions. |
| | BANDSEL | Switches between 868 MHz / 915 MHz and 433 MHz bands |
| AX5031_FREQ | | Programming of the carrier frequency |
| AX5031_FREQB | | Programming of the 2 nd carrier frequency, switch to this carrier frequency by setting bit FRE-QSEL = 1 |
| AX5031_PLLRANGING | | Initiate VCO auto-ranging and check results |

RF Input and Output Stage (ANTP/ANTN)

The AX8052F131 uses fully differential antenna pins.

The PA drives the signal generated by the frequency generation subsystem out to the differential antenna terminals. The output power of the PA is programmed via bits TXRNG[3:0] in the register AX5031_TXPWR. Output power as well as harmonic content will depend on the external impedance seen by the PA, recommendations are given in section: Antenna Interface Circuitry.

Encoder

The encoder is located between the Framing Unit and the Modulator. It can optionally transform the bit-stream in the following ways:

- It can invert the bit stream.
- It can perform differential encoding. This means that a zero is transmitted as no change in the level, and a one is transmitted as a change in the level. Differential

encoding is useful for PSK, because PSK transmissions can be received either as transmitted or inverted, due to the uncertainty of the initial phase. Differential encoding / decoding removes this uncertainty.

- It can perform Manchester encoding. Manchester encoding ensures that the modulation has no DC content and enough transitions (changes from 0 to 1 and from 1 to 0) for the demodulator bit timing recovery to function correctly, but does so at a doubling of the data rate.
- It can perform Spectral Shaping. Spectral shaping removes DC content of the bit stream, ensures transitions for the demodulator bit timing recovery, and makes sure that the transmitted spectrum does not have discrete lines even if the transmitted data is cyclic. It does so without adding additional bits, i.e. without changing the data rate. Spectral Shaping uses a self synchronizing feedback shift register.

The encoder is programmed using the register AX5031_ENCODING, details and recommendations on usage are given in the AX5031 Programming Manual.

Framing and FIFO

Most radio systems today group data into packets. The framing unit is responsible for converting these packets into a bit-stream suitable for the modulator.

The Framing unit supports three different modes:

- HDLC
- Raw
- 802.15.4 compliant

Table 17.

| Flag | Address | Control | Information | FCS | Flag |
|-------|---------|-------------|---|-------------|-------|
| 8 bit | 8 bit | 8 or 16 bit | Variable length, 0 or more bits in multiples of 8 | 16 / 32 bit | 8 bit |

HDLC packets are delimited with flag sequences of content 0x7E.

In AX8052F131 the meaning of address and control is user defined. The Frame Check Sequence (FCS) can be programmed to be CRC-CCITT, CRC-16 or CRC-32.

For details on implementing a HDLC communication see the AX5031 Programming Manual.

Raw Mode

In Raw mode, the AX8052F131 does not perform any packet delimiting or byte synchronization. It simply serializes transmit bytes.

This mode is ideal for implementing legacy protocols in software.

The microcontroller communicates with the framing unit through a 32 level × 10 bit FIFO. The FIFO decouples microcontroller timing from the radio (modulator) timing. The bottom 8 bits of the FIFO contain transmit data. The top 2 bits are used to convey meta information in HDLC and 802.15.4 modes. They are unused in Raw mode. The meta information consists of packet begin / end information and the result of CRC checks.

The FIFO can be operated in polled or interrupt driven modes. In polled mode, the microcontroller must periodically read the FIFO status register or the FIFO count register to determine whether the FIFO needs servicing.

In interrupt mode EMPTY, NOT EMPTY, FULL, NOT FULL and programmable level interrupts are provided. Interrupts are acknowledged by removing the cause for the interrupt, i.e. by emptying or filling the FIFO.

To lower the interrupt load on the microcontroller, one of the DMA channels may be instructed to transfer data between the transmitter FIFO and the XRAM memory. This way, much larger buffers can be realized in XRAM, and interrupts need only be serviced if the larger XRAM buffers fill or empty.

HDLC Mode

NOTE: HDLC mode follows High-Level Data Link Control (HDLC, ISO 13239) protocol.

HDLC Mode is the main framing mode of the AX8052F131. In this mode, the AX8052F131 performs automatic packet delimiting, and optional packet correctness check by inserting and checking a cyclic redundancy check (CRC) field.

The packet structure is given in the following table.

802.15.4 (ZigBee) DSSS

802.15.4 uses binary phase shift keying (PSK) with 300 kbit/s (868 MHz band) or 600 kbit/s (915 MHz band) on the radio. The usable bit rate is only a 15th of the radio bit rate, however. A spreading function in the transmitter expands the user bit rate by a factor of 15, to make the transmission more robust.

In 802.15.4 mode, the AX8052F131 framing unit performs the spreading function according to the 802.15.4 specification.

The 802.15.4 is a universal DSSS mode, which can be used with any modulation or data rate as long as it does not violate the maximum data rate of the modulation being used. Therefore the maximum DSSS data rate is 16 kbps for FSK and 40 kbps for ASK and PSK.

AX8052F131

Modulator

Depending on the transmitter settings the modulator generates various inputs for the PA:

Table 18.

| Modulation | Bit = 0 | Bit = 1 | Main Lobe Bandwidth | Max. Bitrate |
|------------------|------------------------------------|------------------------------------|-------------------------------------|--------------|
| ASK | PA off | PA on | BW = BITRATE | 2000 kBit/s |
| FSK / MSK / GFSK | $\Delta f = -f_{\text{deviation}}$ | $\Delta f = +f_{\text{deviation}}$ | $BW = (1 + h) \cdot \text{BITRATE}$ | 350 kBit/s |
| PSK | $\Delta\Phi = 0^\circ$ | $\Delta\Phi = 180^\circ$ | BW = BITRATE | 2000 kBit/s |

h = modulation index. It is the ratio of the deviation compared to the bit-rate;
 $f_{\text{deviation}} = 0.5 \cdot h \cdot \text{BITRATE}$, AX8052F131 can demodulate signals with $h < 32$.

ASK = amplitude shift keying

FSK = frequency shift keying

MSK = minimum shift keying; MSK is a special case of FSK, where $h = 0.5$, and therefore $f_{\text{deviation}} = 0.25 \cdot \text{BITRATE}$; the advantage of MSK over FSK is that it can be demodulated more robustly.

PSK = phase shift keying

OQPSK = offset quadrature shift keying. The AX8052F131 supports OQPSK. However, unless compatibility to an existing system is required, MSK should be preferred.

4-FSK = four frequencies are used to transmit two bits simultaneously during each symbol

All modulation schemes are binary.

Table 19.

| Modulation | Symbol = 00 | Symbol = 01 | Symbol = 10 | Symbol = 11 | Max. Bitrate |
|------------|--|------------------------------------|------------------------------------|--|--------------|
| 4-FSK | $\Delta f = -3 \cdot f_{\text{deviation}}$ | $\Delta f = -f_{\text{deviation}}$ | $\Delta f = +f_{\text{deviation}}$ | $\Delta f = +3 \cdot f_{\text{deviation}}$ | 400 kBit/s |

PWRMODE Register

The AX8052F131 transmitter features its own independent power management, independent from the microcontroller. While the microcontroller power mode is

controlled through the PCON register, the AX5031_PWRMODE register controls which parts of the transmitter are operating.

Table 20. PWRMODE REGISTER

| AX5031_PWRMODE Register | Name | Description |
|-------------------------|-----------|--|
| 0000 | POWERDOWN | All digital and analog transmitter functions, except the register file, are disabled. VREG is reduced to conserve leakage power. The registers are still accessible. |
| 0100 | VREGON | All digital and analog transmitter functions, except the register file, are disabled. VREG, however is at its nominal value for operation, and all registers are accessible. |
| 0101 | STANDBY | The crystal oscillator is powered on; the transmitter is off. |
| 1100 | SYNTHTX | The synthesizer is running on the transmit frequency. The transmitter is still off. This mode is used to let the synthesizer settle on the correct frequency for transmit. |
| 1101 | FULLTX | Synthesizer and transmitter are running. Do not switch into this mode before the synthesizer has completely settled on the transmit frequency (in SYNTHTX mode), otherwise spurious spectral transmissions will occur. |

Table 21. A TYPICAL AX5031_PWRMODE SEQUENCE FOR A TRANSMIT SESSION

| Step | PWRMODE [3:0] | Remarks |
|------|---------------|---|
| 1 | POWERDOWN | |
| 2 | STANDBY | The settling time is dominated by the crystal used, typical value 3 ms. |
| 4 | SYNTHTX | The synthesizer settling time is 5 – 50 μs depending on settings, see section AC Characteristics |
| 3 | FULLTX | Data transmission |
| 4 | POWERDOWN | |

APPLICATION INFORMATION

Typical Application Diagrams

Connecting to Debug Adapter

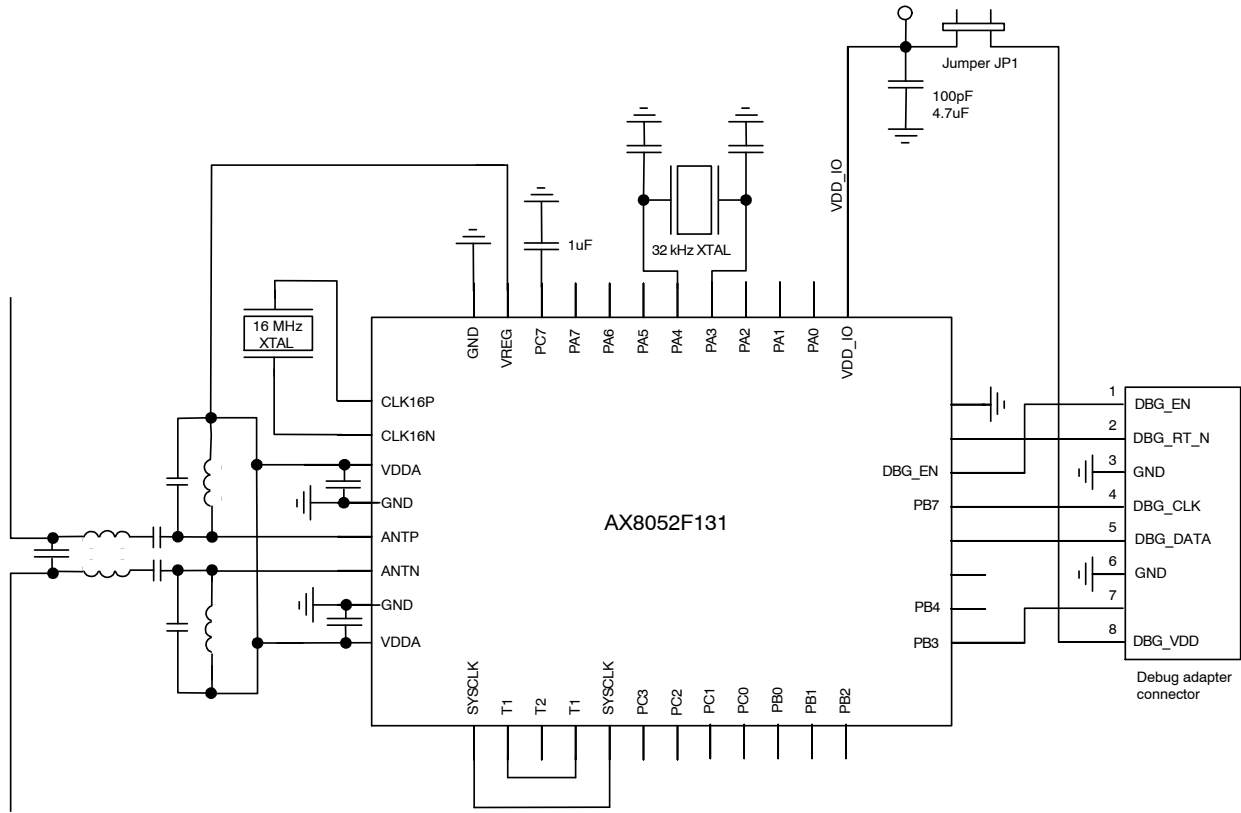


Figure 9. Typical Application Diagram with Connection to the Debug Adapter

Short Jumper JP1–1 if it is desired to supply the target board from the Debug Adapter (50 mA max). Connect the bottom exposed pad of the AX8052F131 to ground.

If the debugger is not running, PB6 and PB7 are not driven by the Debug Adapter. If the debugger is running, the PB6 and PB7 values that the software reads may be set using the Pin Emulation feature of the debugger.

PB3 is driven by the debugger only to bring the AX8052F131 out of Deep Sleep. It is high impedance otherwise.

The 32 kHz crystal is optional, the fast crystal at pins CLK16N and CLK16P is used as reference frequency for the RF RX/TX. Crystal load capacitances should be chosen according to the crystal’s datasheet. At pins CLK16N and

CLK16P they the internal programmable capacitors may be used, at pins PA3 and PA4 capacitors must be connected externally.

It is mandatory to add 1 μ F (low ESR) between VREG and GND. Decoupling capacitors are not all drawn. It is recommended to add 100 nF decoupling capacitor for every VDDA and VDD_IO pin. In order to reduce noise on the antenna inputs it is recommended to add 27 pF on the VDD pins close to the antenna interface.

The AX8052F131 has an integrated voltage regulator for the analog supply voltages, which generates a stable supply voltage VREG from the voltage applied at VDD_IO. Use VREG to supply all the VDDA supply pins and also to DC power to the pins ANTP and ANTN.

AX8052F131

Antenna Interface Circuitry

The ANTP and ANTN pins provide RF output from the PA when AX8052F131 is in transmitting mode. A small antenna can be connected with an optional translation network. The network must provide DC power to the PA. A biasing to VREG is necessary.

Beside biasing and impedance matching, the proposed network also provides low pass filtering to limit spurious emission.

Single-ended Antenna Interface

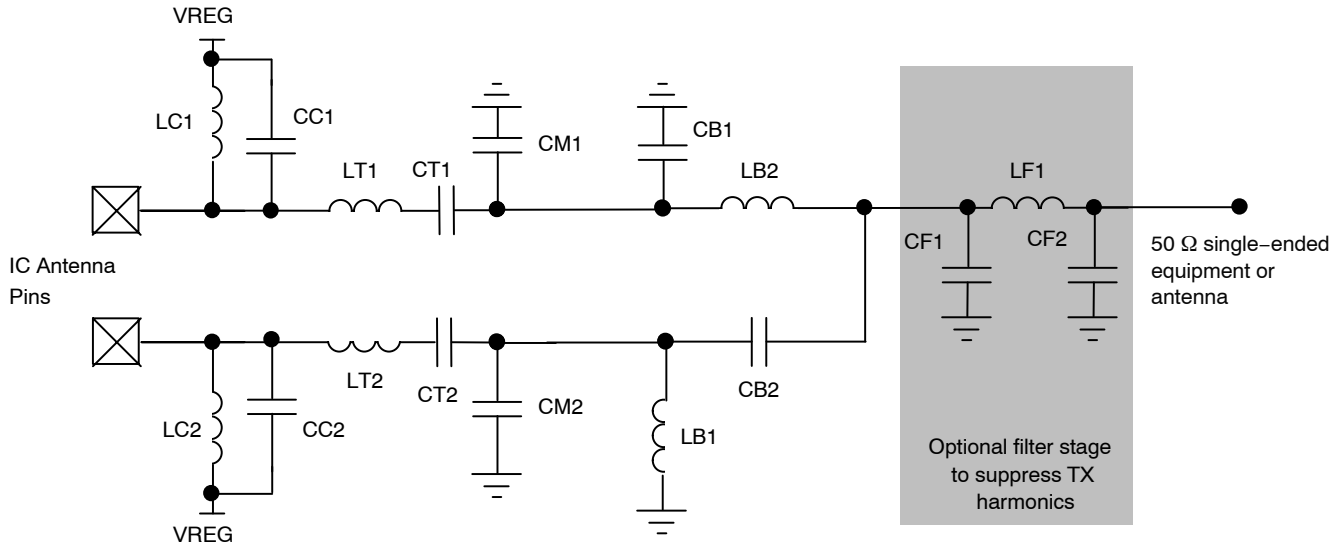


Figure 10. Structure of the Antenna Interface to 50 Ω Single-ended Equipment or Antenna

Table 22.

| Frequency Band | LC1,2 [nH] | CC1,2 [pF] | LT1,2 [nH] | CT1,2 [pF] | CM1,2 [pF] | LB1,2 [nH] | CB1,2 [pF] | LF1 [nH] | CF1,2 [pF] |
|----------------|------------|------------|------------|------------|------------|------------|------------|----------|------------|
| 868 / 915 MHz | 68 | 1.2 | 12 | 18 | 2.4 | 12 | 2.7 | 0 Ω | NC |
| 433 MHz | 120 | 2.7 | 39 | 7.5 | 6.0 | 27 | 5.2 | 0 Ω | NC |

QFN40 Soldering Profile

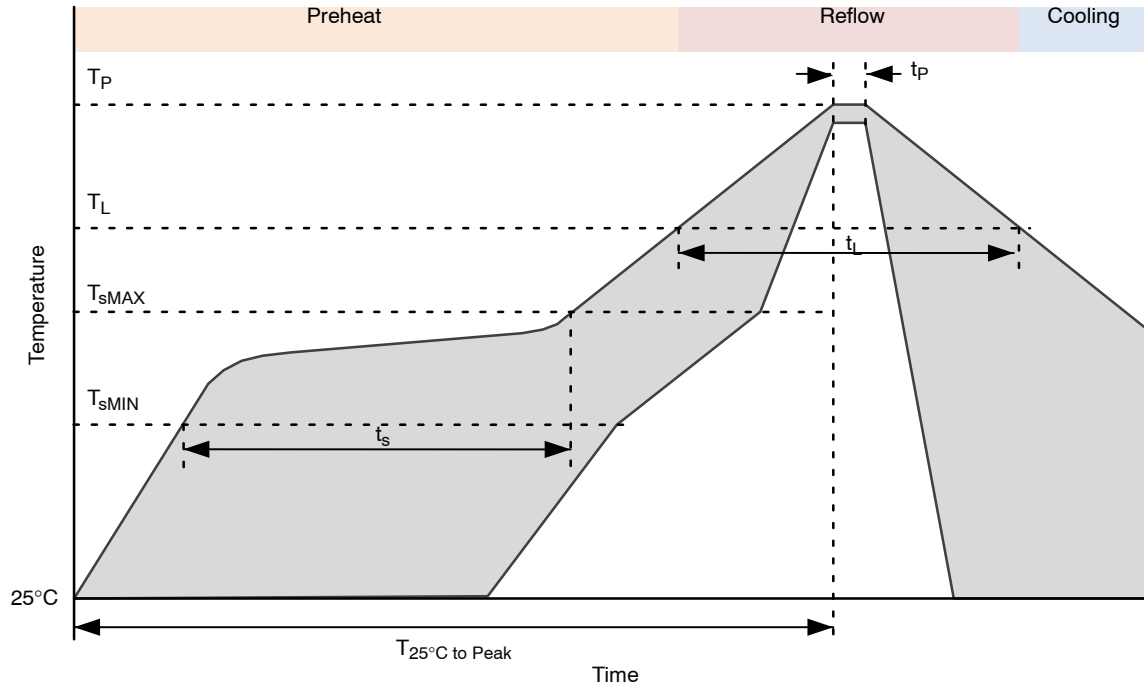


Figure 11. QFN40 Soldering Profile

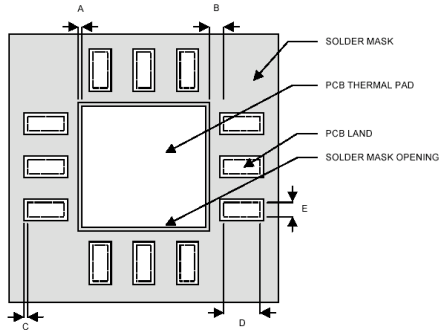
Table 23.

| Profile Feature | Pb-Free Process |
|--|--|
| Average Ramp-Up Rate | 3°C/s max. |
| Preheat Preheat | |
| Temperature Min | T_{sMIN} 150°C |
| Temperature Max | T_{sMAX} 200°C |
| Time (T_{sMIN} to T_{sMAX}) | t_s 60 – 180 sec |
| Time 25°C to Peak Temperature | $T_{25°C \text{ to Peak}}$ 8 min max. |
| Reflow Phase | |
| Liquidus Temperature | T_L 217°C |
| Time over Liquidus Temperature | t_L 60 – 150 s |
| Peak Temperature | t_p 260°C |
| Time within 5°C of actual Peak Temperature | T_p 20 – 40 s |
| Cooling Phase | |
| Ramp-down rate | 6°C/s max. |

1. All temperatures refer to the top side of the package, measured on the the package body surface.

QFN40 Recommended Pad Layout

1. PCB land and solder masking recommendations are shown in Figure 12.



- A = Clearance from PCB thermal pad to solder mask opening, 0.0635 mm minimum
- B = Clearance from edge of PCB thermal pad to PCB land, 0.2 mm minimum
- C = Clearance from PCB land edge to solder mask opening to be as tight as possible to ensure that some solder mask remains between PCB pads.
- D = PCB land length = QFN solder pad length + 0.1 mm
- E = PCB land width = QFN solder pad width + 0.1 mm

Figure 12. PCB Land and Solder Mask Recommendations

- 2. Thermal vias should be used on the PCB thermal pad (middle ground pad) to improve thermal conductivity from the device to a copper ground plane area on the reverse side of the printed circuit board. The number of vias depends on the package thermal requirements, as determined by thermal simulation or actual testing.
- 3. Increasing the number of vias through the printed circuit board will improve the thermal conductivity to the reverse side ground plane and external heat sink. In general, adding more metal through the PCB under the IC will improve operational heat transfer, but will require careful attention to uniform heating of the board during assembly.

Assembly Process

Stencil Design & Solder Paste Application

- 1. Stainless steel stencils are recommended for solder paste application.
- 2. A stencil thickness of 0.125 – 0.150 mm (5 – 6 mils) is recommended for screening.

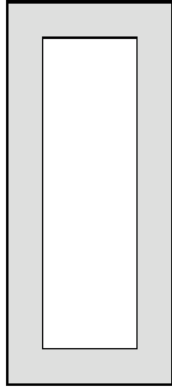
- 3. For the PCB thermal pad, solder paste should be printed on the PCB by designing a stencil with an array of smaller openings that sum to 50% of the QFN exposed pad area. Solder paste should be applied through an array of squares (or circles) as shown in Figure 13.
- 4. The aperture opening for the signal pads should be between 50–80% of the QFN pad area as shown in Figure 14.
- 5. Optionally, for better solder paste release, the aperture walls should be trapezoidal and the corners rounded.
- 6. The fine pitch of the IC leads requires accurate alignment of the stencil and the printed circuit board. The stencil and printed circuit assembly should be aligned to within + 1 mil prior to application of the solder paste.
- 7. No-clean flux is recommended since flux from underneath the thermal pad will be difficult to clean if water-soluble flux is used.



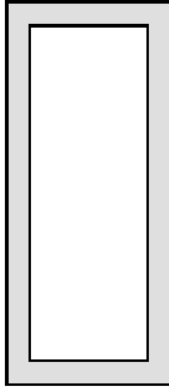
Figure 13. Solder Paste Application on Exposed Pad

AX8052F131

Minimum 50% coverage



62% coverage



Maximum 80% coverage

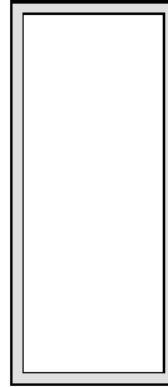
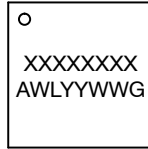


Figure 14. Solder Paste Application on Pins

MARKING DIAGRAM



XXX = Specific Device Code
 A = Assembly Location
 WL = Wafer Lot
 YY = Year
 WW = Work Week
 G = Pb-Free Package

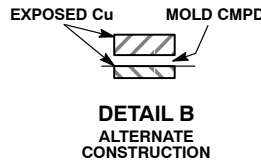
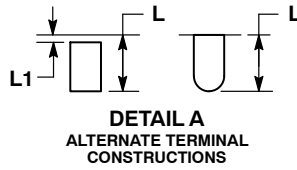
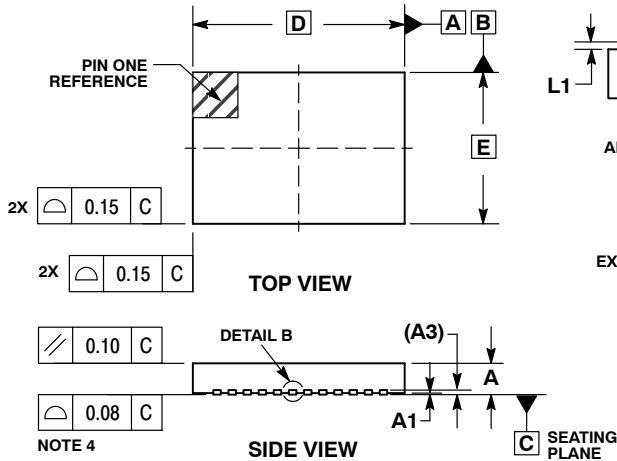
Table 24. DEVICE VERSIONS

| Device Marking | AX8052 Version | AX5031 Version |
|----------------|----------------|----------------|
| AX8052F131-2 | 1C | 1 |
| AX8052F131-3 | 2 | 1 |

AX8052F131

PACKAGE DIMENSIONS

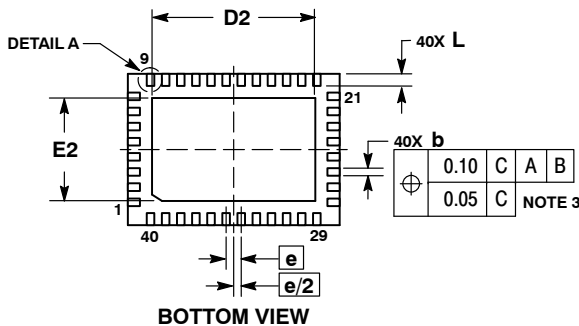
QFN40 7x5, 0.5P
CASE 485EG
ISSUE A



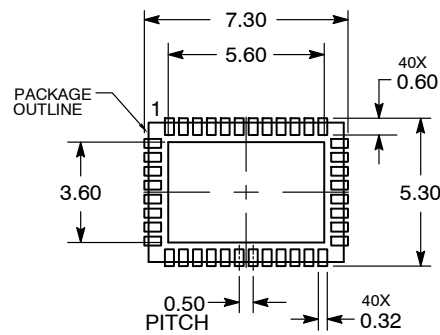
NOTES:

1. DIMENSIONING AND TOLERANCING PER ASME Y14.5M, 1994.
2. CONTROLLING DIMENSIONS: MILLIMETERS.
3. DIMENSION b APPLIES TO PLATED TERMINAL AND IS MEASURED BETWEEN 0.25 AND 0.30mm FROM TERMINAL
4. COPLANARITY APPLIES TO THE EXPOSED PAD AS WELL AS THE TERMINALS.

| DIM | MILLIMETERS | |
|-----|-------------|------|
| | MIN | MAX |
| A | 0.80 | 1.00 |
| A1 | 0.00 | 0.05 |
| A3 | 0.20 REF | |
| b | 0.18 | 0.30 |
| D | 7.00 BSC | |
| D2 | 5.30 | 5.50 |
| E | 5.00 BSC | |
| E2 | 3.30 | 3.50 |
| e | 0.50 BSC | |
| L | 0.30 | 0.50 |
| L1 | --- | 0.15 |



RECOMMENDED SOLDERING FOOTPRINT*



DIMENSIONS: MILLIMETERS

*For additional information on our Pb-Free strategy and soldering details, please download the ON Semiconductor Soldering and Mounting Techniques Reference Manual, SOLDERRM/D.

ON Semiconductor and are trademarks of Semiconductor Components Industries, LLC dba ON Semiconductor or its subsidiaries in the United States and/or other countries. ON Semiconductor owns the rights to a number of patents, trademarks, copyrights, trade secrets, and other intellectual property. A listing of ON Semiconductor's product/patent coverage may be accessed at www.onsemi.com/site/pdf/Patent-Marking.pdf. ON Semiconductor reserves the right to make changes without further notice to any products herein. ON Semiconductor makes no warranty, representation or guarantee regarding the suitability of its products for any particular purpose, nor does ON Semiconductor assume any liability arising out of the application or use of any product or circuit, and specifically disclaims any and all liability, including without limitation special, consequential or incidental damages. Buyer is responsible for its products and applications using ON Semiconductor products, including compliance with all laws, regulations and safety requirements or standards, regardless of any support or applications information provided by ON Semiconductor. "Typical" parameters which may be provided in ON Semiconductor data sheets and/or specifications can and do vary in different applications and actual performance may vary over time. All operating parameters, including "Typicals" must be validated for each customer application by customer's technical experts. ON Semiconductor does not convey any license under its patent rights nor the rights of others. ON Semiconductor products are not designed, intended, or authorized for use as a critical component in life support systems or any FDA Class 3 medical devices or medical devices with a same or similar classification in a foreign jurisdiction or any devices intended for implantation in the human body. Should Buyer purchase or use ON Semiconductor products for any such unintended or unauthorized application, Buyer shall indemnify and hold ON Semiconductor and its officers, employees, subsidiaries, affiliates, and distributors harmless against all claims, costs, damages, and expenses, and reasonable attorney fees arising out of, directly or indirectly, any claim of personal injury or death associated with such unintended or unauthorized use, even if such claim alleges that ON Semiconductor was negligent regarding the design or manufacture of the part. ON Semiconductor is an Equal Opportunity/Affirmative Action Employer. This literature is subject to all applicable copyright laws and is not for resale in any manner.

PUBLICATION ORDERING INFORMATION

LITERATURE FULFILLMENT:
Literature Distribution Center for ON Semiconductor
19521 E. 32nd Pkwy, Aurora, Colorado 80011 USA
Phone: 303-675-2175 or 800-344-3860 Toll Free USA/Canada
Fax: 303-675-2176 or 800-344-3867 Toll Free USA/Canada
Email: orderlit@onsemi.com

N. American Technical Support: 800-282-9855 Toll Free
USA/Canada
Europe, Middle East and Africa Technical Support:
Phone: 421 33 790 2910
Japan Customer Focus Center
Phone: 81-3-5817-1050

ON Semiconductor Website: www.onsemi.com
Order Literature: <http://www.onsemi.com/orderlit>

For additional information, please contact your local Sales Representative