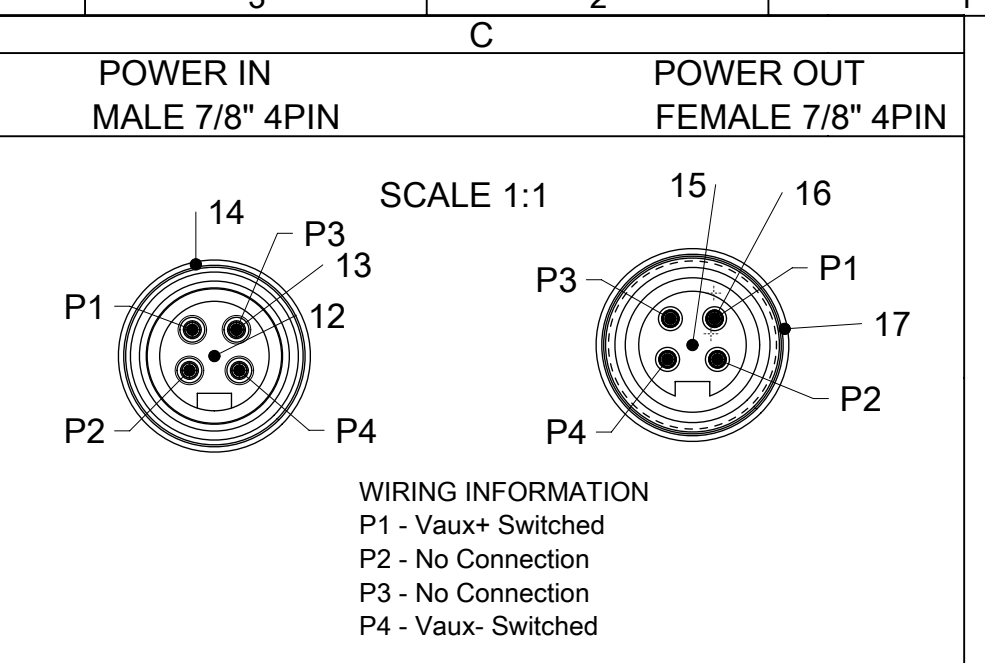
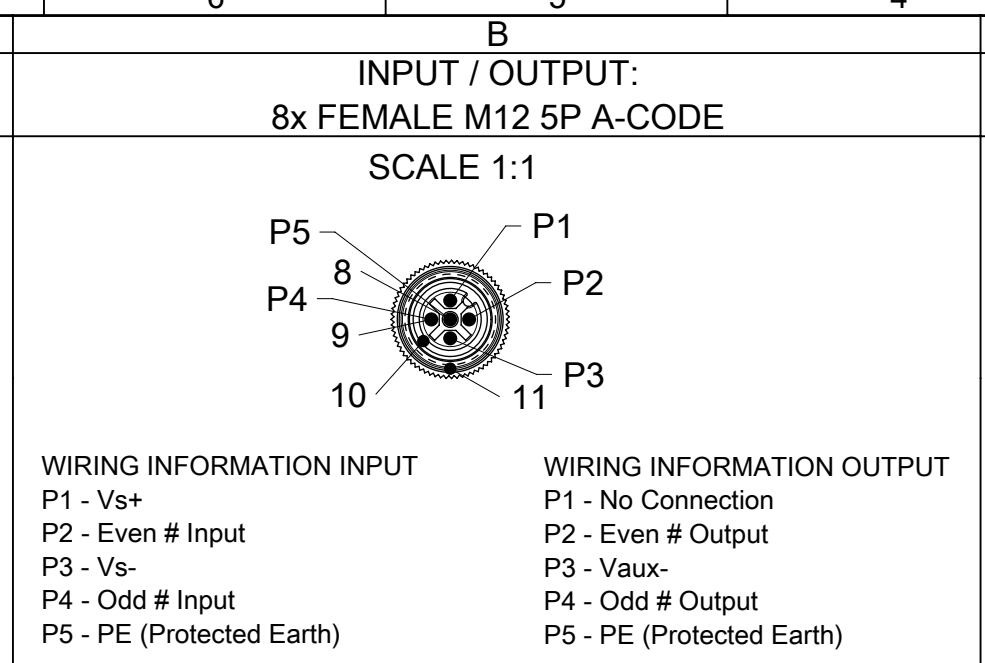
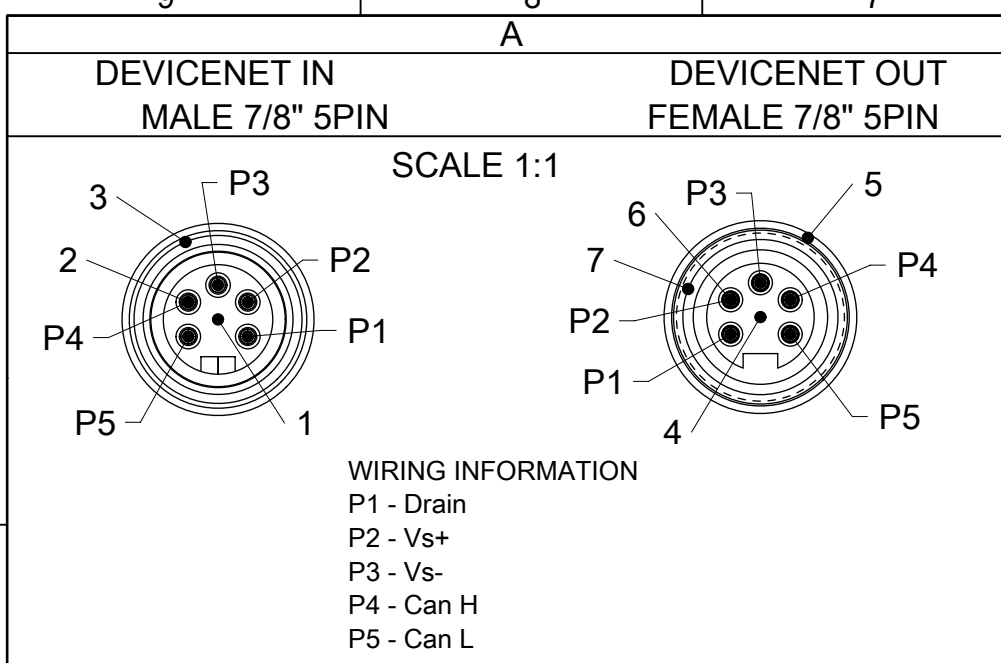
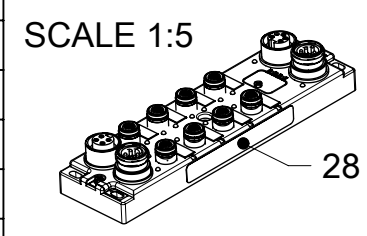
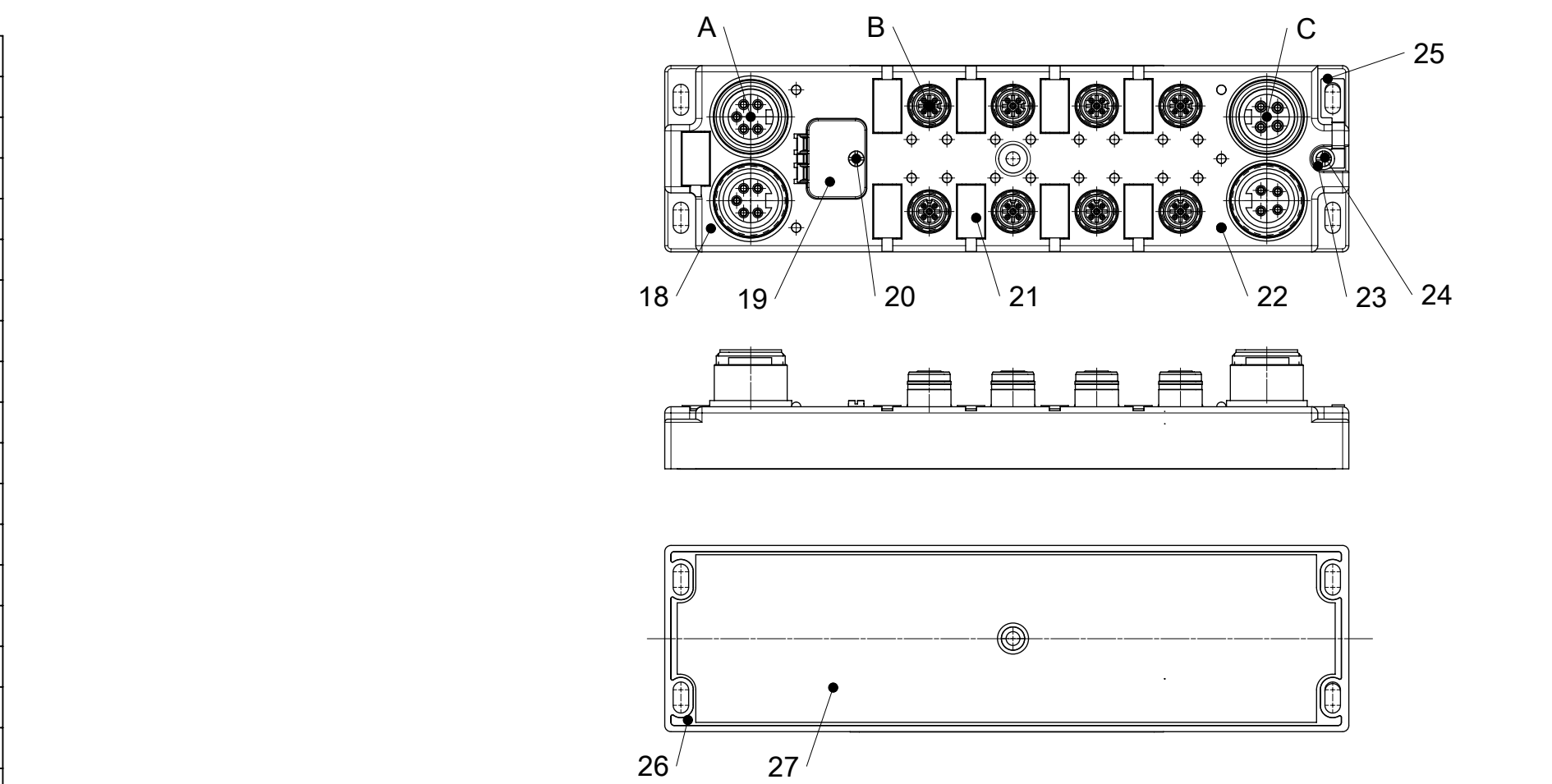


THIS DRAWING CONTAINS INFORMATION THAT IS PROPRIETARY TO MOLEX ELECTRONIC TECHNOLOGIES, LLC AND SHOULD NOT BE USED WITHOUT WRITTEN PERMISSION											
QUALITY SYMBOLS		EC NO: 112857		DRWN: ULETTENMEIER		CHK'D: RSILLER		APPR: RSILLER		REV: A2	
▽A	= 0	2017/01/26		2017/01/26		2017/01/26		2017/01/26		2017/01/26	
▽E	= 0	2017/01/26		2017/01/26		2017/01/26		2017/01/26		2017/01/26	
▽F	= 0	2017/01/26		2017/01/26		2017/01/26		2017/01/26		2017/01/26	
▽	= 0	2017/01/26		2017/01/26		2017/01/26		2017/01/26		2017/01/26	
▽C	= 0	2017/01/26		2017/01/26		2017/01/26		2017/01/26		2017/01/26	
▽X	= 0	2017/01/26		2017/01/26		2017/01/26		2017/01/26		2017/01/26	
■	= 0	2017/01/26		2017/01/26		2017/01/26		2017/01/26		2017/01/26	
▽	= 0	2017/01/26		2017/01/26		2017/01/26		2017/01/26		2017/01/26	
GENERAL TOLERANCES (UNLESS SPECIFIED)				DIMENSION UNITS		SCALE					
ANGULAR TOL ± °				MM		1:1					
4 PLACES ±				DRWN BY		DATE		DBO DN 60 MM 7/8" 5P AC MA FE U12 5P 8PT AC FE 7/8" 4P AC MA FE			
3 PLACES ±				ULETTENMEIER		2015/01/19					
2 PLACES ±				CHK'D BY		DATE		PRODUCT CUSTOMER DRAWING			
1 PLACE ± 0.3				RSILLER		2015/06/25					
0 PLACES ± 0.5				APPR BY		DATE		SERIES: 112092 MATERIAL NUMBER: 1120920020 CUSTOMER: GENERAL MARKET			
DRAFT WHERE APPLICABLE MUST REMAIN WITHIN DIMENSIONS				DRAWING SIZE		THIRD ANGLE PROJECTION					
				A3				DOCUMENT NUMBER: 1120920020 DOC TYPE: PSD DOC PART: 000 SHEET NUMBER: 1 OF 3			



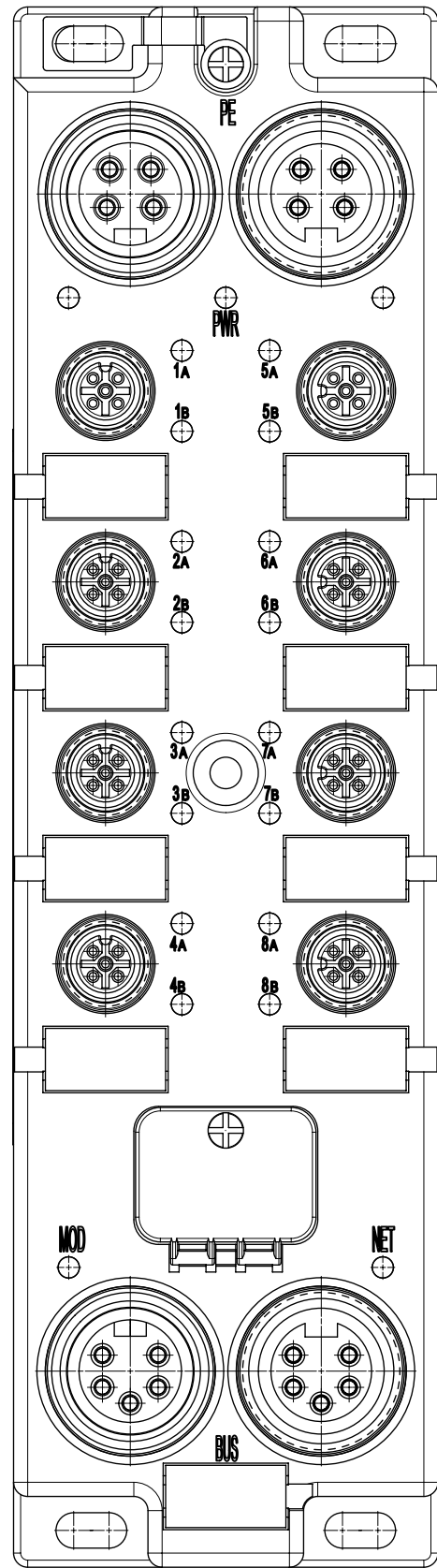
BILL OF MATERIAL

ITEM	DESCRIPTION	MATERIAL	FINISH
1	INSERT	TPE	GREY
2	CONTACT	COPPER ALLOY	NI AU
3	SHELL	BRASS	NICKEL PLATET
4	INSERT	TPE	GREY
5	GASKET	FPM	RED
6	CONTACT	COPPER ALLOY	GOLD OVER NICKEL
7	SHELL	BRASS	NICKEL PLATET
8	INSERT	TPU	BLACK
9	CONTACT	COPPER ALLOY	GOLD OVER NICKEL
10	GASKET	FPM	RED
11	SHELL	BRASS	NICKEL PLATET
12	INSERT	TPE	YELLOW
13	CONTACT	COPPER ALLOY	GOLD OVER NICKEL
14	SHELL	BRASS	NICKEL PLATET
15	INSERT	TPE	YELLOW
16	CONTACT	COPPER ALLOY	GOLD OVER NICKEL
17	SHELL	BRASS	NICKEL PLATET
18	HOUSING	PBT	BLACK
19	WINDOW	PC	TRANSPARENT
20	SCREW	V2V	V2A
21	LABEL	PC	WHITE
22	FIBER OPTIC	PA	TRANSPARENT
23	WASHER	BRASS	NICKEL PLATET
24	SCREW	V2V	V2A
25	SHIELD PLATE	STAINLESS STEEL	STAINLESS STEEL
26	RESIN	EPOXY	TRANSPARENT
27	LABEL	PVC	WHITE
28	LABEL	PVC	YELLOW



THIS DRAWING CONTAINS INFORMATION THAT IS PROPRIETARY TO MOLEX ELECTRONIC TECHNOLOGIES, LLC AND SHOULD NOT BE USED WITHOUT WRITTEN PERMISSION

QUALITY SYMBOLS A = 0 E = 0 F = 0 G = 0 H = 0 I = 0 J = 0 K = 0 L = 0 M = 0 N = 0 O = 0	EC NO: 112857 DRWN: ULETTENMEIER CHK'D: RSILLER APPR: RSILLER DATE: 2017/01/26	GENERAL TOLERANCES (UNLESS SPECIFIED) ANGULAR TOL ± ° 4 PLACES ± 3 PLACES ± 2 PLACES ± 1 PLACE ± 0.3 0 PLACES ± 0.5 DRAFT WHERE APPLICABLE MUST REMAIN WITHIN DIMENSIONS	DIMENSION UNITS: MM SCALE: 1:2 DRWN BY: ULETTENMEIER DATE: 2015/01/19 CHK'D BY: [blank] DATE: [blank] APPR BY: RSILLER DATE: 2015/06/25 DRAWING SIZE: A3 THIRD ANGLE PROJECTION	
	DBO DN 60 MM 7/8" 5P AC MA FE U12 5P 8PT AC FE 7/8" 4P AC MA FE			PRODUCT CUSTOMER DRAWING
	SERIES: 112092	MATERIAL NUMBER: 1120920020	CUSTOMER: GENERAL MARKET	
	DOCUMENT NUMBER: 1120920020		DOC TYPE: PSD	DOC PART: 000 SHEET NUMBER: 2 OF 3



DEVICE NET PRINTING

TABLE 1 DEVICE NET PRINTING					
POWER TYPE	INPUT / OUTPUT		ENG.NO.	MOLEX P/N	3D MODEL NO.
7/8" 5 POLE	NPN	8I /8O	TCDDN-888N-11U	1120920020	1120920020 (PDM)
	PNP	8I /8O	TCDDN-888P-11U	1120920009	
		8I /8O	TCDDN-888P-11U (A)	1120925011	

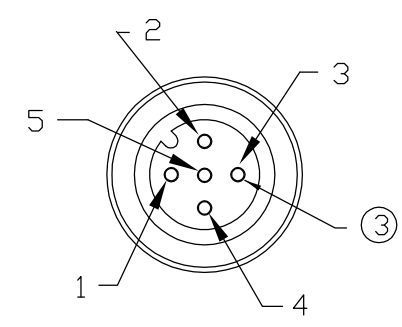
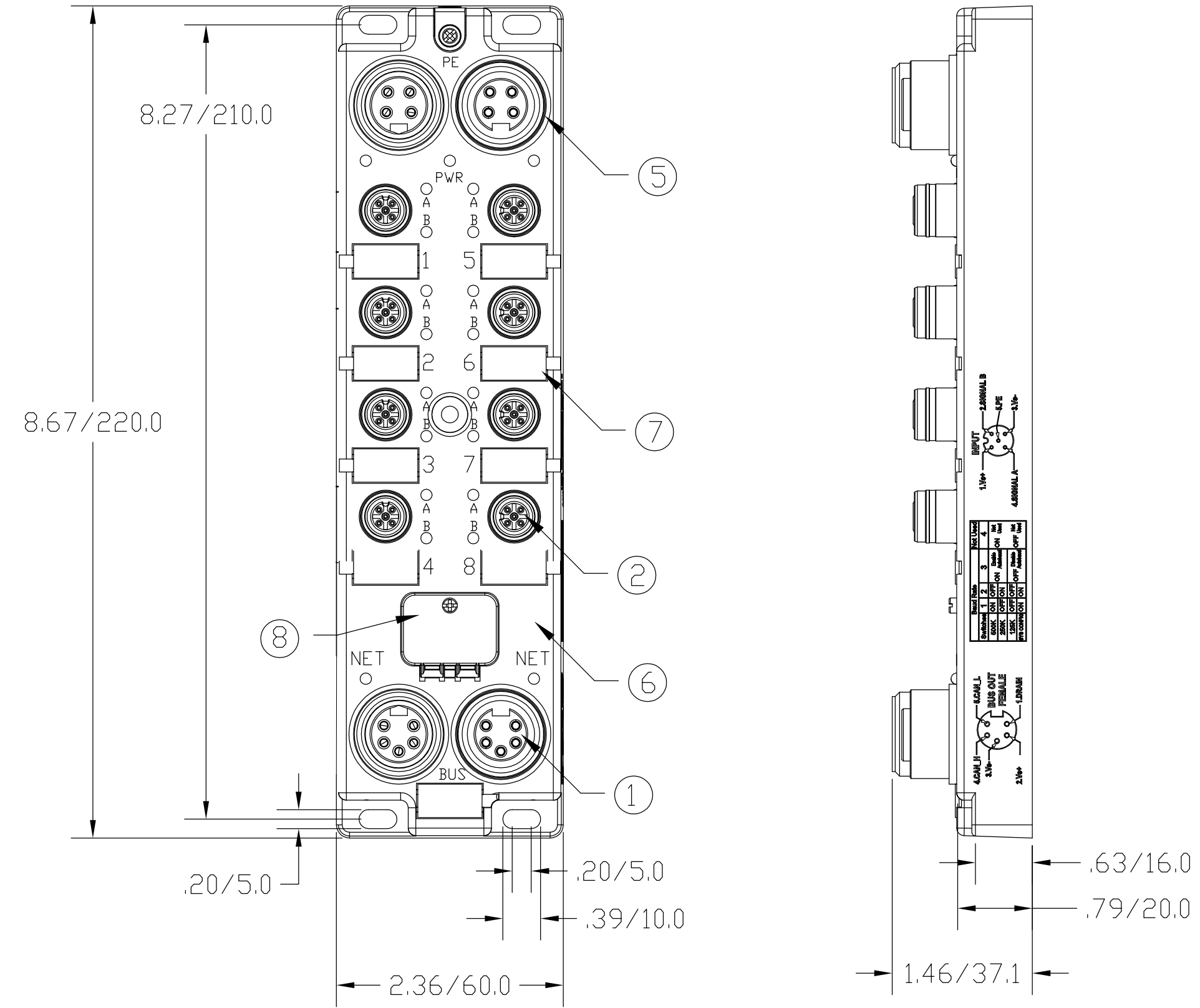
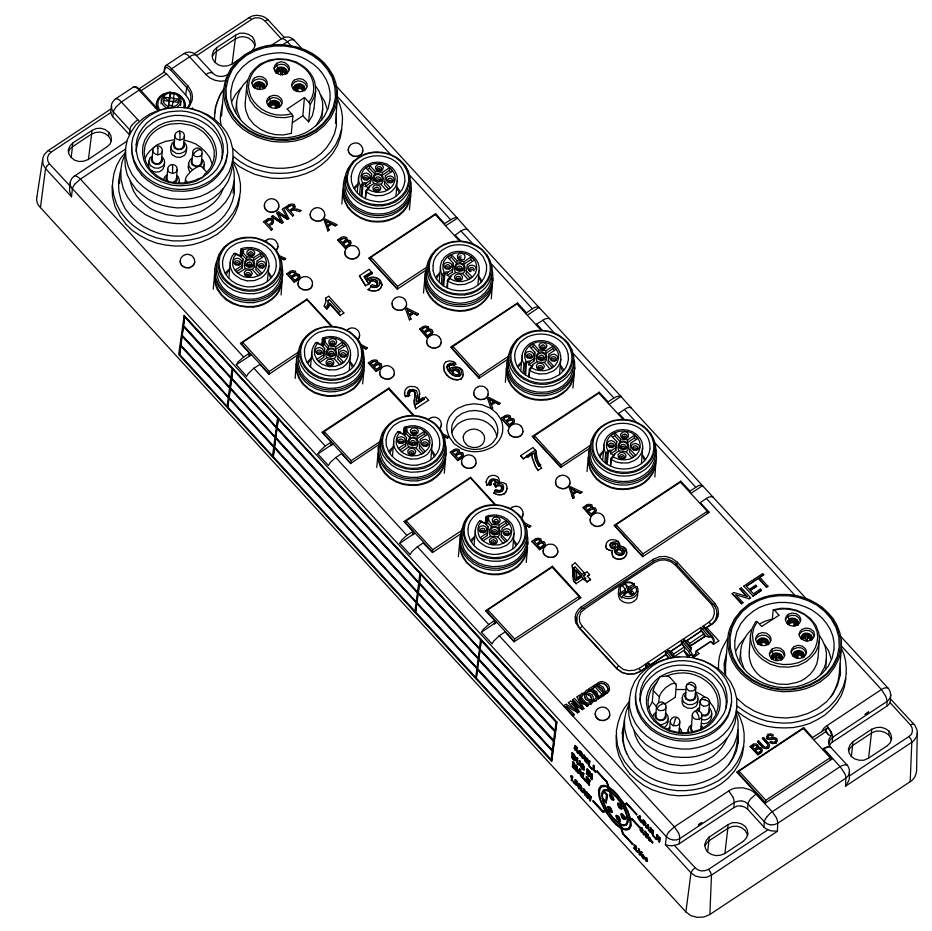
QUALITY SYMBOLS ▽A = 0 ▽E = 0 ▽F = 0 ▼ = 0 ▽C = 0 ⊗ = 0 ■ = 0 ▽ = 0	THIS DRAWING CONTAINS INFORMATION THAT IS PROPRIETARY TO MOLEX ELECTRONIC TECHNOLOGIES, LLC AND SHOULD NOT BE USED WITHOUT WRITTEN PERMISSION											
	EC NO: 112857 DRWN: ULETTENMEIER CHK'D: APPR: RSILLER	2017/01/26 2017/01/26	GENERAL TOLERANCES (UNLESS SPECIFIED)		DIMENSION UNITS	SCALE						
			ANGULAR TOL ± °		MM	1:1						
			4 PLACES ±	DRWN BY		DATE		DBO DN 60 MM 7/8" 5P AC MA FE U12 5P 8PT AC FE 7/8" 4P AC MA FE				
			3 PLACES ±	ULETTENMEIER		2015/01/19						
			2 PLACES ±	CHK'D BY		DATE						
	1 PLACE ± 0.3	APPR BY		DATE		PRODUCT CUSTOMER DRAWING						
	0 PLACES ± 0.5	RSILLER		2015/06/25								
	DRAFT WHERE APPLICABLE MUST REMAIN WITHIN DIMENSIONS		DRAWING SIZE	THIRD ANGLE PROJECTION			SERIES	MATERIAL NUMBER	CUSTOMER			
			A3				112092	1120920020	GENERAL MARKET			
					DOCUMENT NUMBER	DOC TYPE	DOC PART	SHEET NUMBER				
					1120920020	PSD	000	3 OF 3				

MATERIAL NUMBER	OLD PART NUMBER
112092-0009	TCDDN-888P-11U

INPUTS:
PNP 3-WIRE SENSORS - PORTS 1-4

OUTPUTS:
SOURCING DEVICES - PORTS 5-8

USER MANUAL IS LOCATED ON MOLEX WEBSITE.



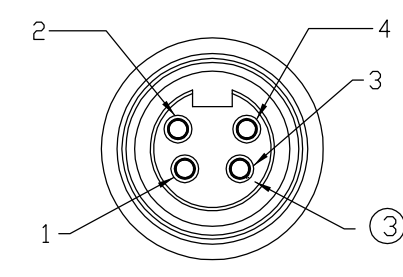
FEMALE FACE VIEW

DUAL INPUT

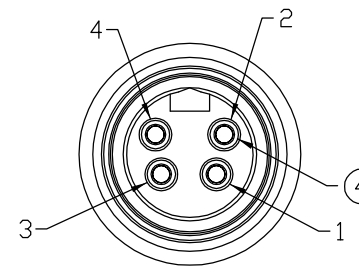
- PIN 1 V+
- PIN 2 EVEN # INPUT
- PIN 3 V-
- PIN 4 ODD # INPUT
- PIN 5 PE

DUAL OUTPUT

- PIN 1 VAUX+
- PIN 2 EVEN # OUTPUT
- PIN 3 VAUX-
- PIN 4 ODD # OUTPUT
- PIN 5 PE

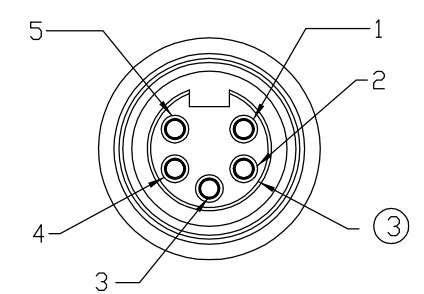


FEMALE FACE VIEW

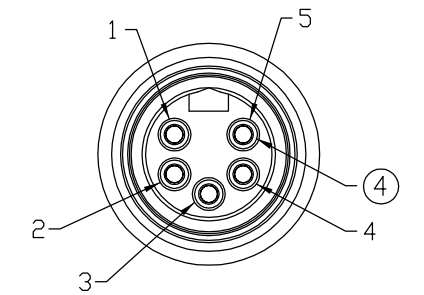


MALE FACE VIEW

- PIN 1 V+ SWITCHED
- PIN 2 NO CONNECTION
- PIN 3 NO CONNECTION
- PIN 4 V- SWITCHED



FEMALE FACE VIEW



MALE FACE VIEW

- PIN 1 DRAIN
- PIN 2 V+
- PIN 3 V-
- PIN 4 CAN_H
- PIN 5 CAN_L

PROTECTION	IP67
OPERATING TEMPERATURE	0°C TO 70°C
APPROVALS	ODVA AND CE
UL CERTIFICATIONS	UL LISTED FILE NO. E200650
PRODUCTS CERTIFIED BY UL IN ACCORDANCE WITH CANADIAN REQUIREMENTS	UL LISTED FILE NO. E200650

ITEM	COMPONENT	MATERIAL	FINISH
1	MINI INSERT	TPE	GRAY(5-POLE) YELLOW (4-POLE)
2	MICRO INSERT	NYLON 6/6	BLACK
3	CONTACT SOCKET	COPPER ALLOY	GOLD OVER NICKEL
4	CONTACT PIN	COPPER ALLOY	GOLD OVER NICKEL
5	RECEPTACLE SHELL	BRASS	NICKLE PLATED
6	HOUSING	PBT	BLACK
7	LABEL	ABS	WHITE
8	WINDOW	POLYCARBONATE	CLEAR

RLSO DRAWING EC NO: WNA2009-0881 DRWN: BWOODMAN 6/29/09 CH'KD: --- APPR: JFMURPHY 2009/07/08	DESCRIPTION REV	QUALITY SYMBOL	GENERAL TOLERANCES (UNLESS SPECIFIED)	DIMENSION STYLE	SCALE	DESIGN UNITS	THIRD ANGLE PROJECTION
		▽=0 ◁=0	mm INCH 4 PLACES ±--- ±--- 3 PLACES ±--- ±--- 2 PLACES ±--- ±.01 1 PLACE ±0.3 ±--- ANGULAR ±---°	IN/MM DRAWN BY DATE BW 2009/03/17 CHECKED BY DATE KJ 2009/03/17 APPROVED BY DATE	TITLE 60MM 8 IN/8 OUTPUT DEVICENET MPIS PNP INPUT & SOURCING OUT MOLEX INCORPORATED		
		DRAFT WHERE APPLICABLE MUST REMAIN WITHIN DIMENSIONS	MATERIAL NO. SEE CHART	DOCUMENT NO. SD-112092-001	SHEET NO. 1 OF 1		
		SIZE C	THIS DRAWING CONTAINS INFORMATION THAT IS PROPRIETARY TO MOLEX INCORPORATED AND SHOULD NOT BE USED WITHOUT WRITTEN PERMISSION				